

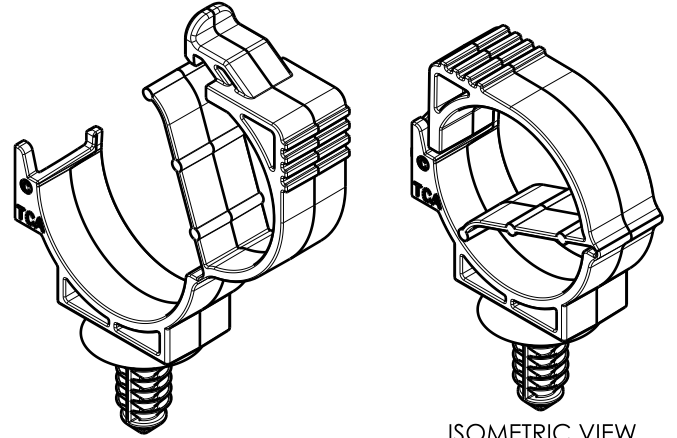
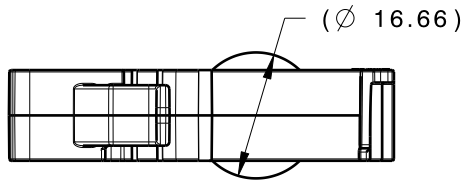


Revision Level			Revision Record	Changed	Date	Approved	Date
Drawing	State	Part					
04.1	Design Release	C	SEE ECN# 013571	KVH	10/10/16	EJH	10/10/16

REFERENCE:

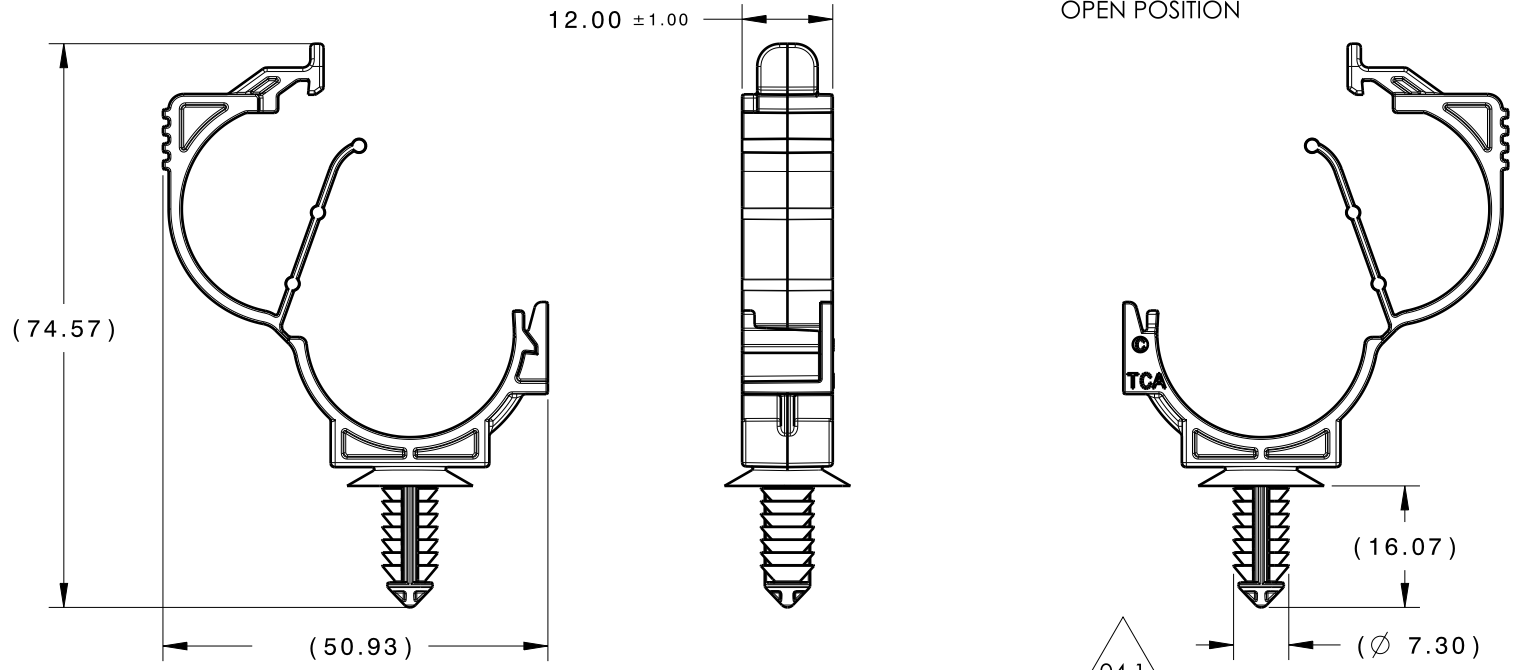
PERFORMANCE REQUIREMENTS AT DRY AS MOLDED:

1. FIR TREE PUSH IN FORCE: 45 NEWTONS (10 LBS) MAX IN THE APPLICABLE NOMINAL HOLE SIZE AND A PLATE THICKNESS OF 1.8mm.
2. FIR TREE PULL OUT FORCE: 110 NEWTONS (25 LBS) MIN IN THE APPLICABLE NOMINAL HOLE SIZE AND A PLATE THICKNESS OF 1.8mm.
3. SHEET METAL THICKNESS RANGE: 0.60mm - 8.25mm
4. APPLICABLE HOLE SIZE:
 - A. 6.5mm +/- 0.4
 - B. 6.35mm +/- 0.25 HEX



ISOMETRIC VIEW OPEN POSITION

ISOMETRIC VIEW CLOSED POSITION



Material
PA66HIRHS
COLOR: BLACK

Units millimeters
Tolerance defined on each dimension

The copyright of this drawing is reserved by HellermannTyton. It is issued on condition that it is not reproduced, copied or disclosed to a third party, either wholly or in part, without the consent of HellermannTyton.

Drawn KVH 8/4/14
Approved SJA 4/16/15
HellermannTyton
North America
Email: corp@htamericas.com
Web: www.hellermann.tyton.com

Article/Type-No 151-01371 / LOC20-25FT6.5LG
Title LOCKING OMEGA CLIP (20mm TO 25mm BUNDLE) WITH 6.5mm FIR TREE
Drawing-No PRODUCTION : Phase
12-0631-011-CSU

Scale 1:1
Project Number 12-0631
Format AH
Sheet 1/1