

Cable gland - HC-M-KV-M40(27-34) - 1607729

Please be informed that the data shown in this PDF Document is generated from our Online Catalog. Please find the complete data in the user's documentation. Our General Terms of Use for Downloads are valid (<http://phoenixcontact.com/download>)



Metal screw connection up to 5 bar, thread length: 8 mm, cable diameter: 27 ... 34 mm, WAF 50, screw connection: M40

Key Commercial Data

Packing unit	10 pc
GTIN	
GTIN	4017918938819

Technical data

Dimensions

Length	35 mm
Wrench size, union nut	50 mm
Wrench size, support	50 mm
Hexagon angular dimension	58 mm
Length of the connecting thread	8 mm
Feed-through hole diameter	40.1 mm ... 40.3 mm
External cable diameter	27 mm ... 34 mm

Ambient conditions

Degree of protection (IP)	IP68 (up to 5 bar)
Ambient temperature (operation)	-30 °C ... 100 °C

General

Type of the screw connection	M40
No. of conductors	1
Cable gland material	Nickel-plated brass
Material, insert	PA
Cable seal material	Neoprene
O-ring material	NBR

Cable gland - HC-M-KV-M40(27-34) - 1607729

Technical data

General

Shielded	no
Thread type connection side	M40 x 1.5
Thread type on connection side	M40
Torque	20 Nm (Union nut)
	20 Nm (Support sleeve)
Color	silver

Standards and Regulations

Halogen-free	no
--------------	----

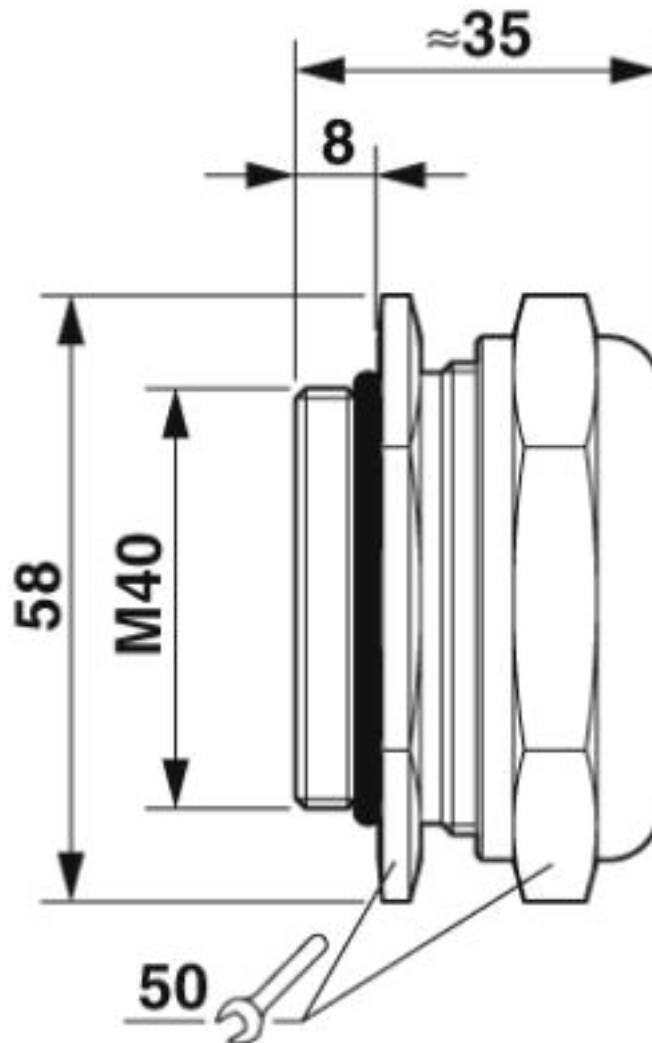
Environmental Product Compliance

China RoHS	Environmentally friendly use period: unlimited = EFUP-e
	No hazardous substances above threshold values

Drawings

Cable gland - HC-M-KV-M40(27-34) - 1607729

Dimensional drawing



Dimensional drawing

Phoenix Contact 2019 © - all rights reserved
<http://www.phoenixcontact.com>

PHOENIX CONTACT GmbH & Co. KG
Flachsmarktstr. 8
32825 Blomberg
Germany
Tel. +49 5235 300
Fax +49 5235 3 41200
<http://www.phoenixcontact.com>