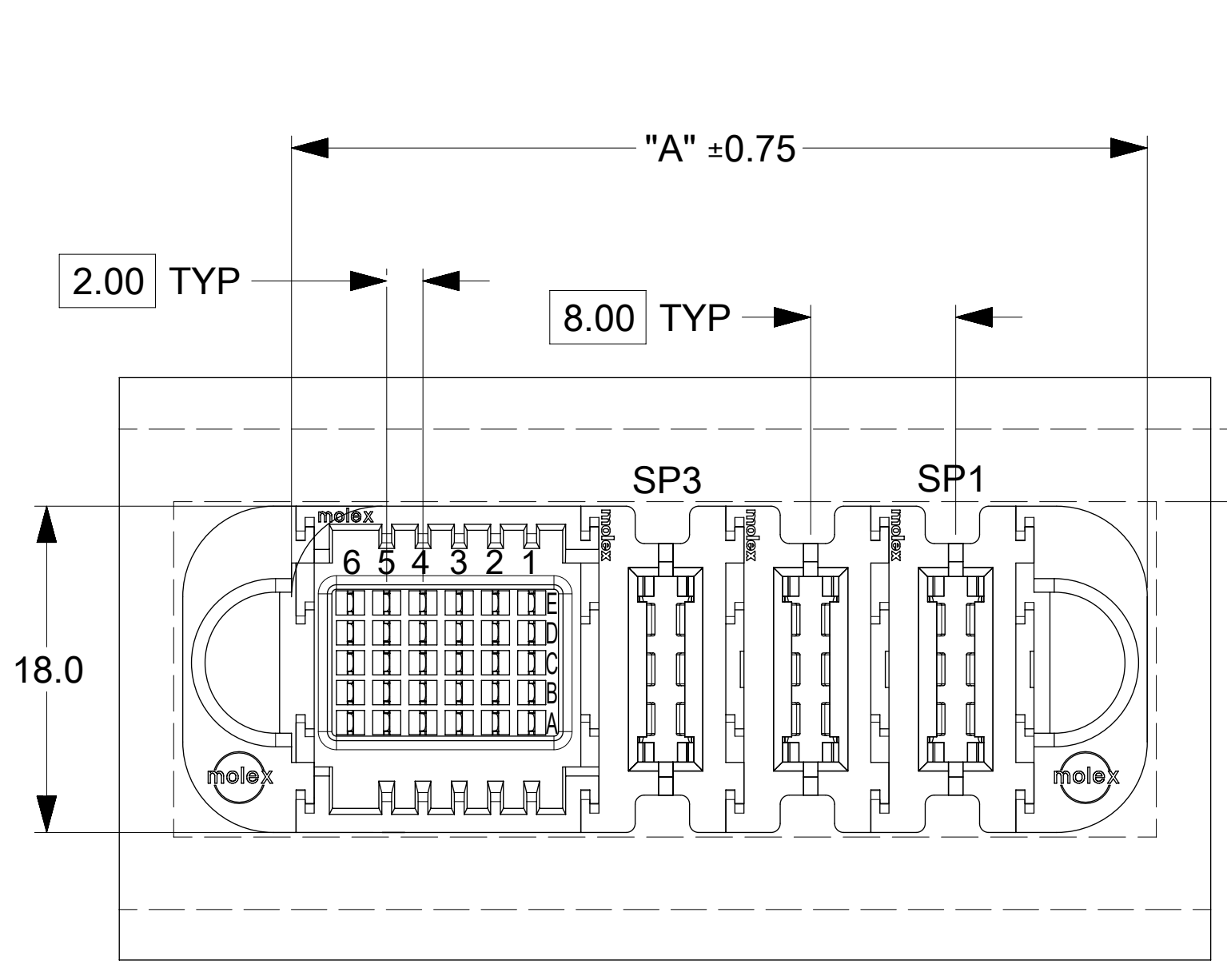
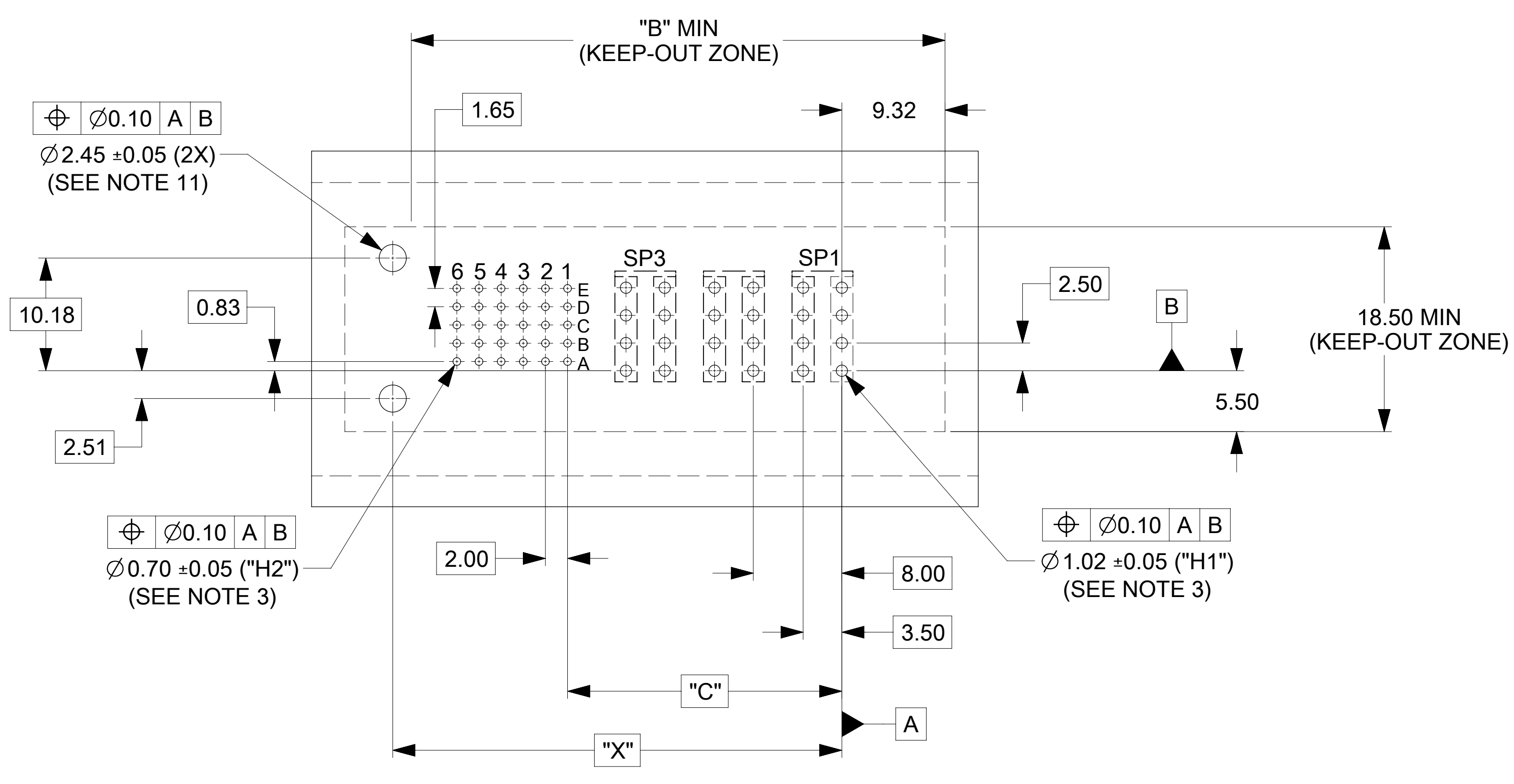
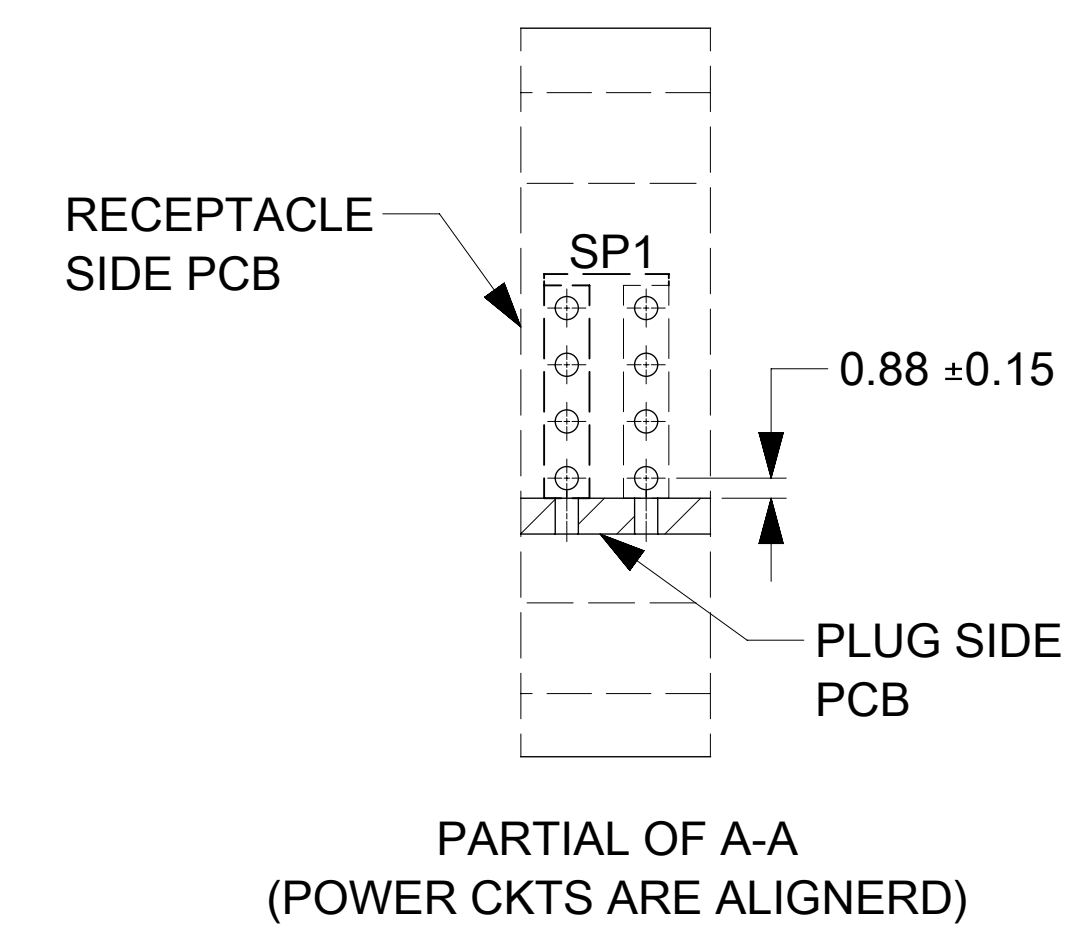
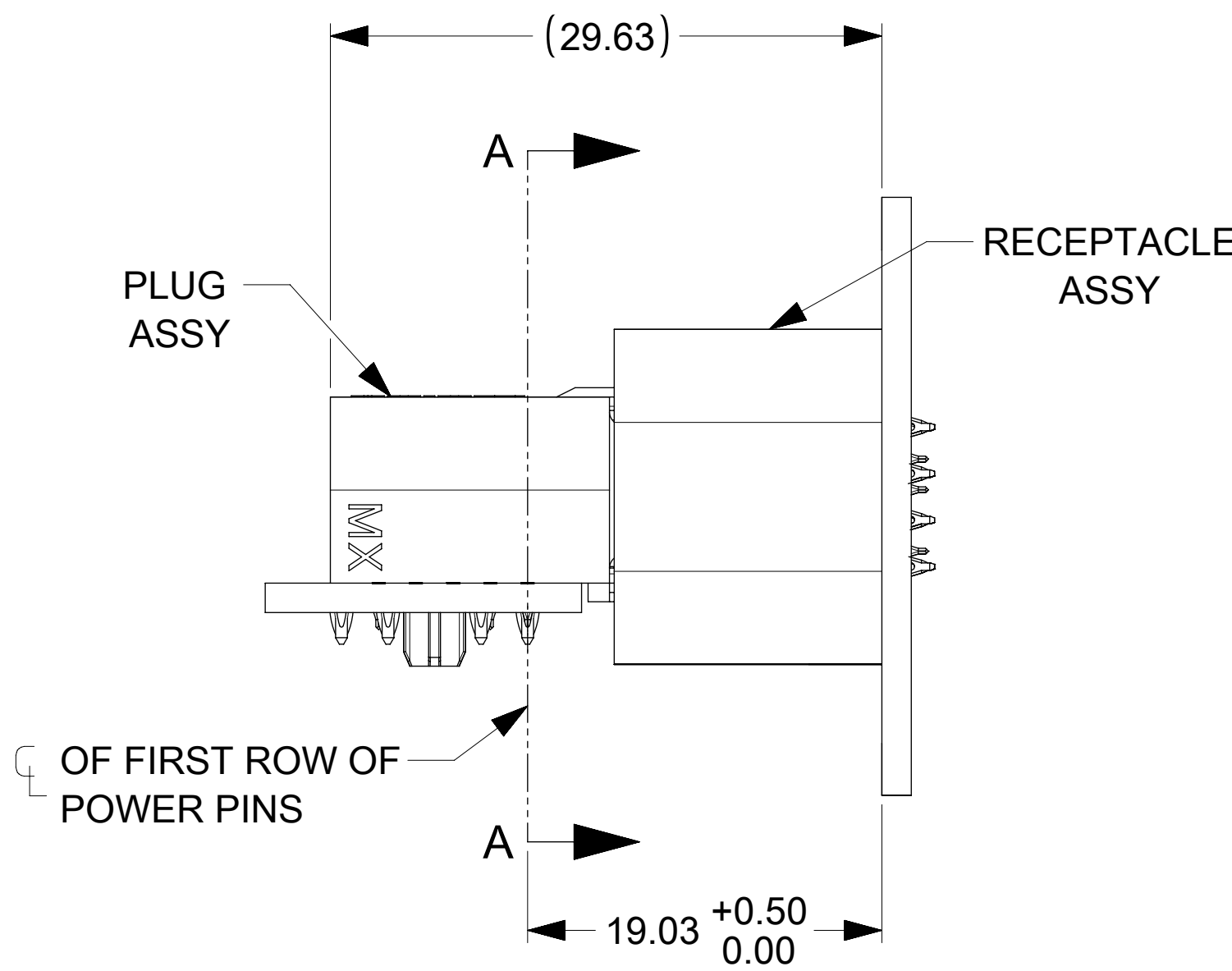


P/N: 171089-8418 (G-3SP-30S-G)



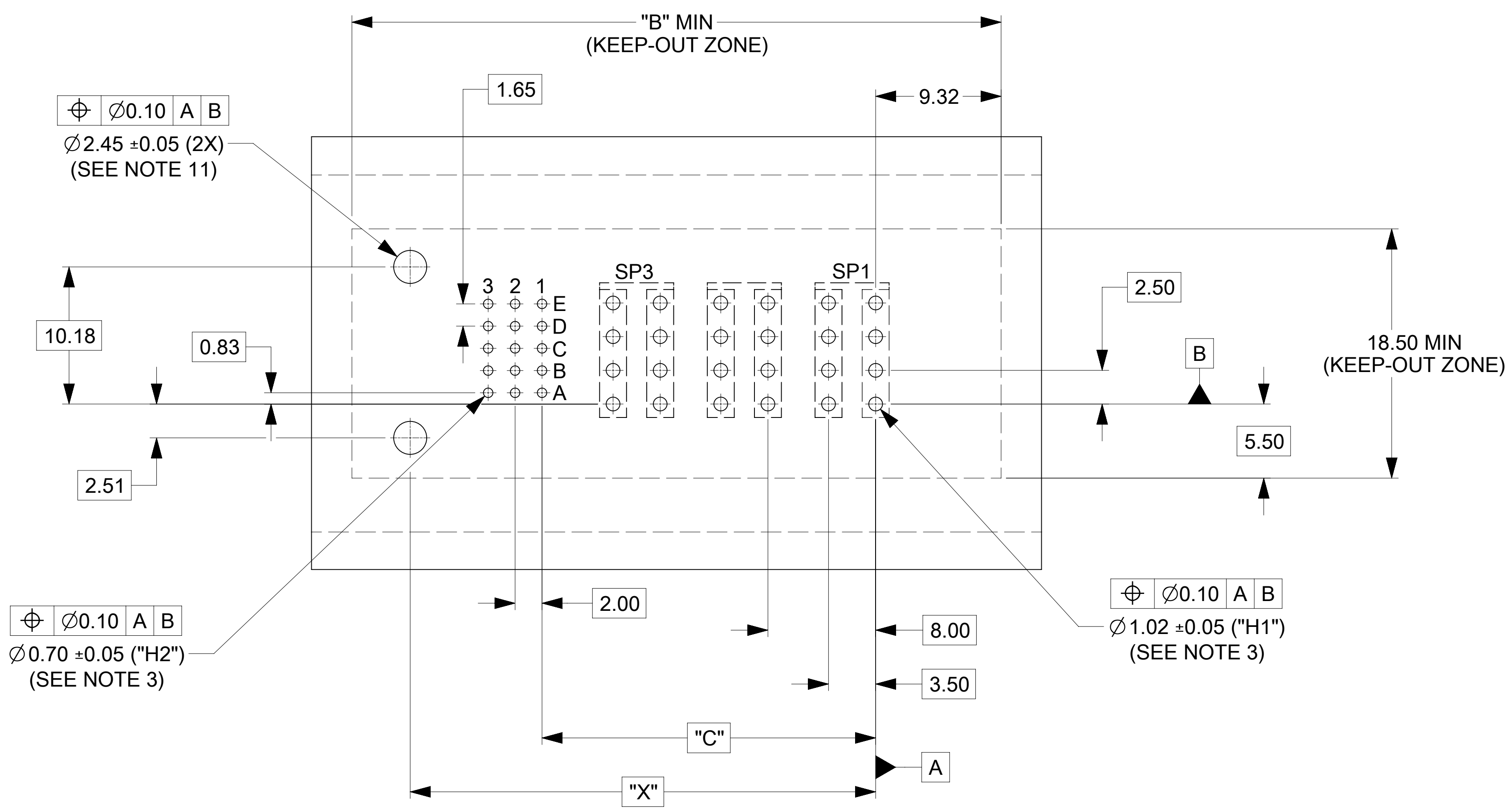
ALLOW EXTRA SPACE  
4.00 MM PER SIDE  
(REQUIRED FOR RE-WORK PER AS-46436-100)



- NOTES:
- MATERIAL:
    - HOUSINGS: LCP UL94, V-0, COLOR: BLACK
    - TERMINALS: HIGH CONDUCTIVITY COPPER ALLOY
    - PLATING: 1.27 MICROMETER (50 MICROINCH) NICKEL OVERALL WITH 2.54 MICROMETER (100 MICROINCH) SELECTIVE TIN ON TAILS AND 0.762 MICROMETER (30 MICROINCH) SELECTIVE GOLD ON CONTACT AREA
  - PACKAGING: ASSEMBLIES TO BE TRAY PACKED PER PACKAGING SPEC: 1710891001-PK
  - PLATED THRU HOLE SIZE, REFER TO PS-171088-0000 FOR DETAILS
  - PRODUCT SPEC: PS-171088-0000
  - APPLICATION SPEC: AS-46436-100
  - PRODUCT TO MEET RoHS REQUIREMENTS
  - ASSEMBLY MATES TO MOLEX PLUG ASSEMBLY P/N 171088-\*\*\*\* (SEE TABLE IN SHEET 2).
  - TAIL DESIGN: COMPLIANT PINS
  - POWER AND SIGNAL CONTACTS ARE LUBRICATED.
  - MOLEX LOGO TO BE LOCATED APPROXIMATELY AS SHOWN.
  - FOR USE WITH 2-32 TYPE AB SELF THREADING SCREWS, SCREW LENGTH OF 9.50MM IS RECOMMENDED FOR 1.58MM THICK PCB MAX TORQUE IS 4 LBS-IN.

|   |        |   |            |            |                 |                |        |                 |              |          |          |
|---|--------|---|------------|------------|-----------------|----------------|--------|-----------------|--------------|----------|----------|
| THIS DRAWING CONTAINS INFORMATION THAT IS PROPRIETARY TO MOLEX ELECTRONIC TECHNOLOGIES, LLC AND SHOULD NOT BE USED WITHOUT WRITTEN PERMISSION |        |   |            |            |                 |                |        |                 |              |          |          |
| DIMENSION UNITS   | SCALE  | CURRENT REV DESC: REMOVED P/N 8414, 8415, 8419 & 8420                                     |            |            |                 |                |        |                 |              |          |          |
| mm  | 3:1    | <p>G-*SP-*S-G<br/>VERT RECEP ASSY - TEN60 SPLIT POWER</p> <p>PRODUCT CUSTOMER DRAWING</p> |            |            |                 |                |        |                 |              |          |          |
| GENERAL TOLERANCES (UNLESS SPECIFIED)   |        |   |            |            |                 |                |        |                 |              |          |          |
| ANGULAR TOL   | ± 0.5° |   |            |            |                 |                |        |                 |              |          |          |
| 4 PLACES  | ±      |   |            |            |                 |                |        |                 |              |          |          |
| 3 PLACES  | ±      |   |            |            |                 |                |        |                 |              |          |          |
| 2 PLACES  | ± 0.13 | EC NO: 707711   | 2022/05/20 |            |                 |                |        |                 |              |          |          |
| 1 PLACE   | ± 0.25 | DRWN: KSUTAR  | 2022/05/23 |            |                 |                |        |                 |              |          |          |
| 0 PLACES  | ±      | CHK'D: GJEEVANSURES   | 2022/06/08 |            |                 |                |        |                 |              |          |          |
| DRAFT WHERE APPLICABLE MUST REMAIN WITHIN DIMENSIONS  |        | INITIAL REVISION:   |            |            |                 |                |        | DOCUMENT NUMBER | DOC TYPE     | DOC PART | REVISION |
|   |        | DRWN: KSUTAR  |            | 2021/09/28 |                 | 1710898420     |        | PSD             | 000          | A2       |          |
|   |        | APPR: HTHYAGARAJ  |            | 2021/11/08 |                 | SEE TABLE      |        | GENERAL MARKET  | SHEET NUMBER |          |          |
|   |        | THIRD ANGLE PROJECTION  | DRAWING    | SERIES     | MATERIAL NUMBER | CUSTOMER       | 1 OF 3 |                 |              |          |          |
|   |        |   | D-SIZE     | 171089     | SEE TABLE       | GENERAL MARKET |        |                 |              |          |          |

RECOMMENDED PCB LAYOUT AND KEEP-OUT ZONE FOR G-(1SP TO 3SP)-30S-G



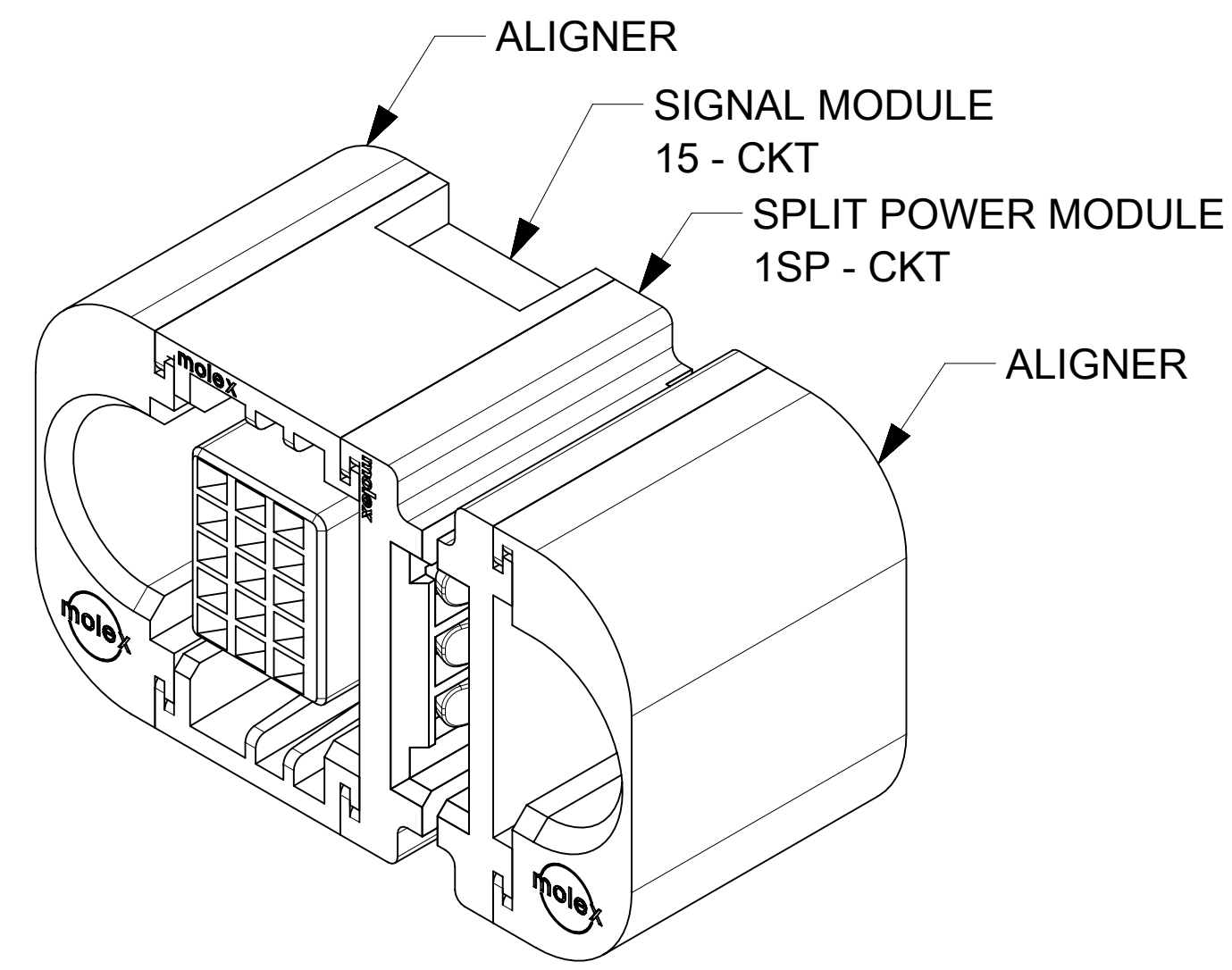
RECOMMENDED PCB LAYOUT AND KEEP-OUT ZONE FOR G-(1SP TO 3SP)-15S-G

REFER TO BELOW TABLE FOR DIMENSIONS.

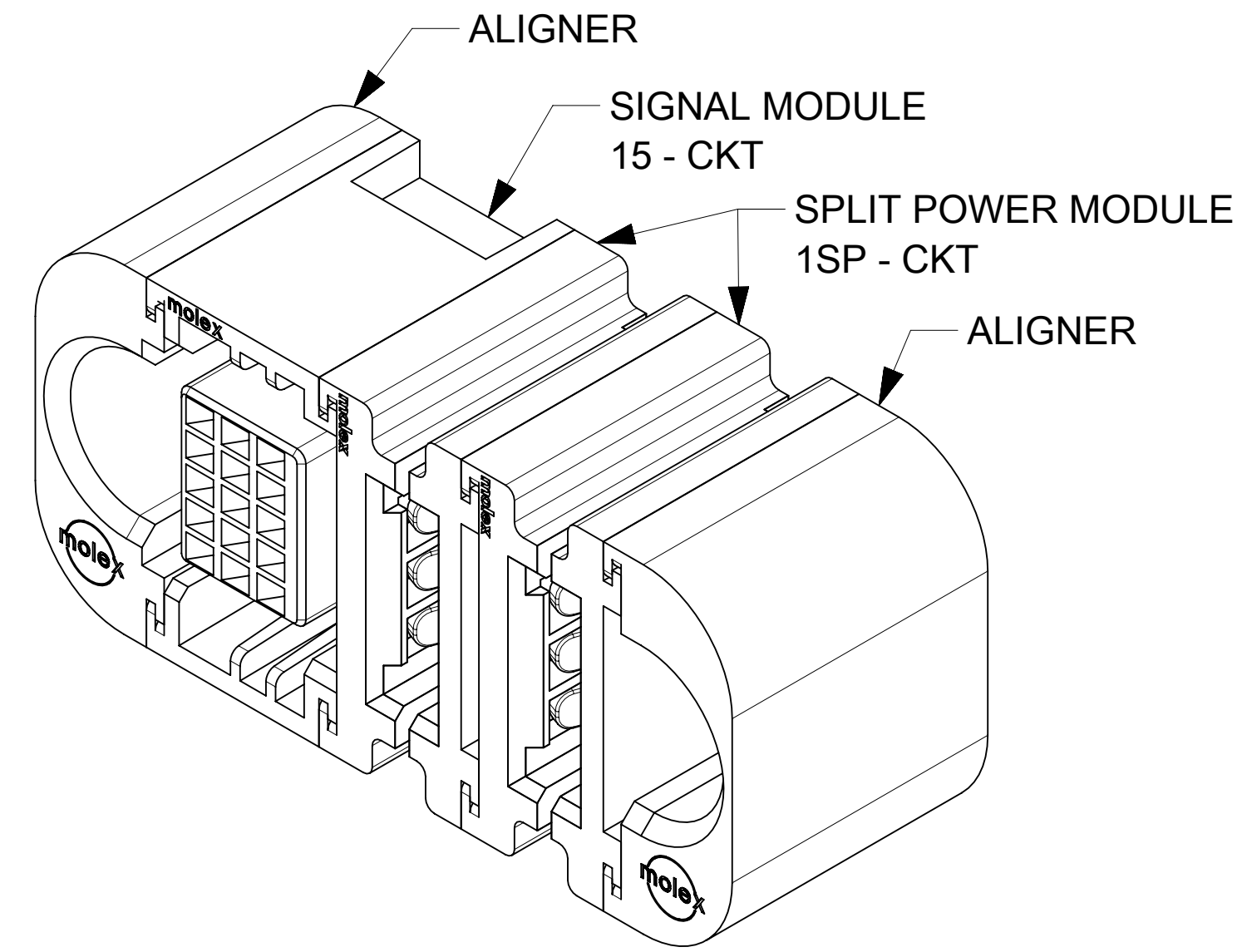
| FG P/N     | CONFIGURATION | POWER CKT SIZE | SIGNAL CKT SIZE | DIM "A" (IN MM) | DIM "B" (IN MM) | DIM "C" (IN MM) | DIM "X" (IN MM) | HOLES COUNT "H1" | HOLES COUNT "H2" | MATES WITH R/A PLUG ASSY P/N |
|------------|---------------|----------------|-----------------|-----------------|-----------------|-----------------|-----------------|------------------|------------------|------------------------------|
| 1710898411 | G-1SP-15S-G   | 1              | 15              | 31.21           | 32.21           | 8.78            | 18.56           | 08               | 15               | 1710888411                   |
| 1710898412 | G-2SP-15S-G   | 2              | 15              | 39.21           | 40.21           | 16.78           | 26.56           | 16               | 15               | 1710888412                   |
| 1710898413 | G-3SP-15S-G   | 3              | 15              | 47.21           | 48.21           | 24.78           | 34.56           | 24               | 15               | 1710888413                   |
| 1710898416 | G-1SP-30S-G   | 1              | 30              | 37.21           | 38.21           | 8.78            | 24.56           | 08               | 30               | 1710888416                   |
| 1710898417 | G-2SP-30S-G   | 2              | 30              | 45.21           | 46.21           | 16.78           | 32.56           | 16               | 30               | 1710888417                   |
| 1710898418 | G-3SP-30S-G   | 3              | 30              | 53.21           | 54.21           | 24.78           | 40.56           | 24               | 30               | 1710888418                   |

THIS DRAWING CONTAINS INFORMATION THAT IS PROPRIETARY TO MOLEX ELECTRONIC TECHNOLOGIES, LLC AND SHOULD NOT BE USED WITHOUT WRITTEN PERMISSION

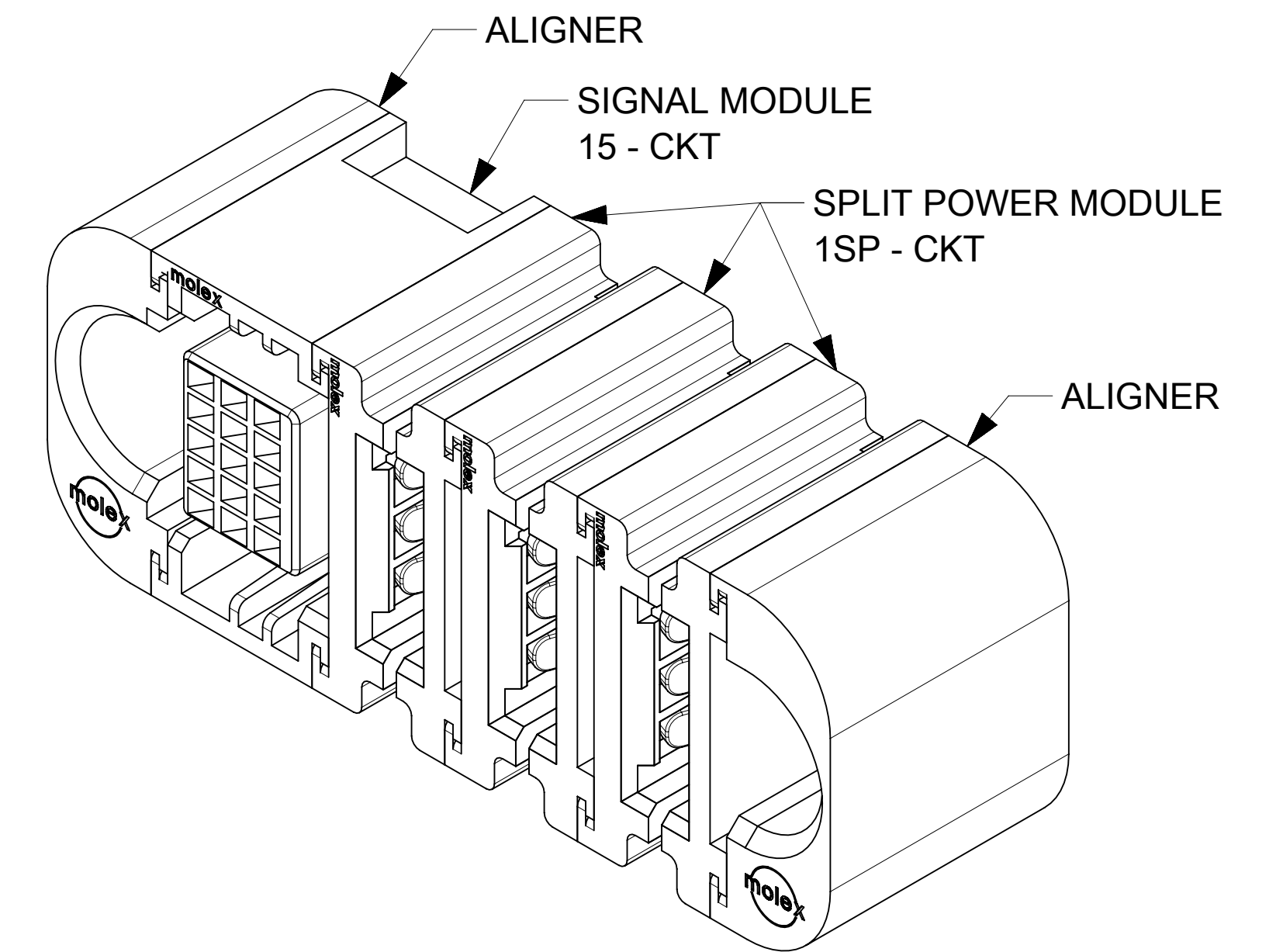
|  |                     |   |                          |          |                |
|--|---------------------|---|--------------------------|----------|----------------|
| DIMENSION UNITS<br><b>mm</b>                         | SCALE<br><b>4:1</b> | CURRENT REV DESC: REMOVED P/N 8414, 8415, 8419 & 8420 |                          |          |                |
| GENERAL TOLERANCES (UNLESS SPECIFIED)                |                     |   |                          |          |                |
| ANGULAR TOL ± 0.5°                                   |                     | EC NO: 707711   | PRODUCT CUSTOMER DRAWING |          |                |
| 4 PLACES ±   |                     | DRWN: KSUTAR 2022/05/20                               | DOCUMENT NUMBER          |          |                |
| 3 PLACES ±   |                     | CHK'D: GJEEVANSURES 2022/05/23                        | 1710898420               |          |                |
| 2 PLACES ± 0.13                                      |                     | APPR: HTHYAGARAJ 2022/06/08                           | DOC TYPE                 | DOC PART | REVISION       |
| 1 PLACE ± 0.25                                       |                     | INITIAL REVISION:                                     | PSD                      | 000      | A2             |
| 0 PLACES ±   |                     | DRWN: KSUTAR 2021/09/28                               | MATERIAL NUMBER          |          |                |
|  |                     | APPR: HTHYAGARAJ 2021/11/08                           | 171089                   |          |                |
| DRAFT WHERE APPLICABLE MUST REMAIN WITHIN DIMENSIONS |                     | THIRD ANGLE PROJECTION                                | DRAWING                  | SERIES   | CUSTOMER       |
|  |                     |   | <b>D-SIZE</b>            | 171089   | GENERAL MARKET |
|  |                     |   |                          |          | SHEET NUMBER   |
|  |                     |   |                          |          | 2 OF 3         |



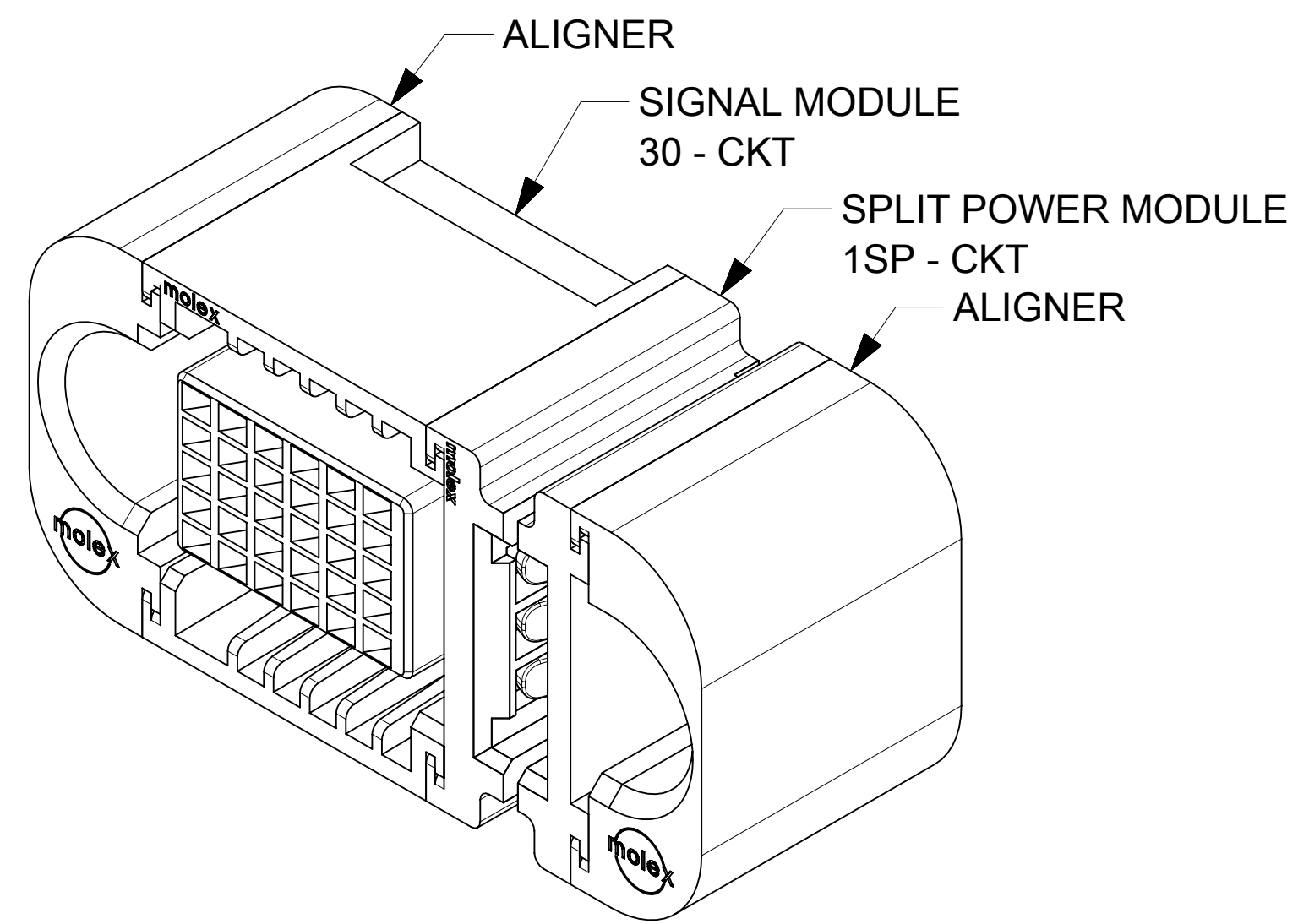
P/N: 171089-8411 (G-1SP-15S-G)



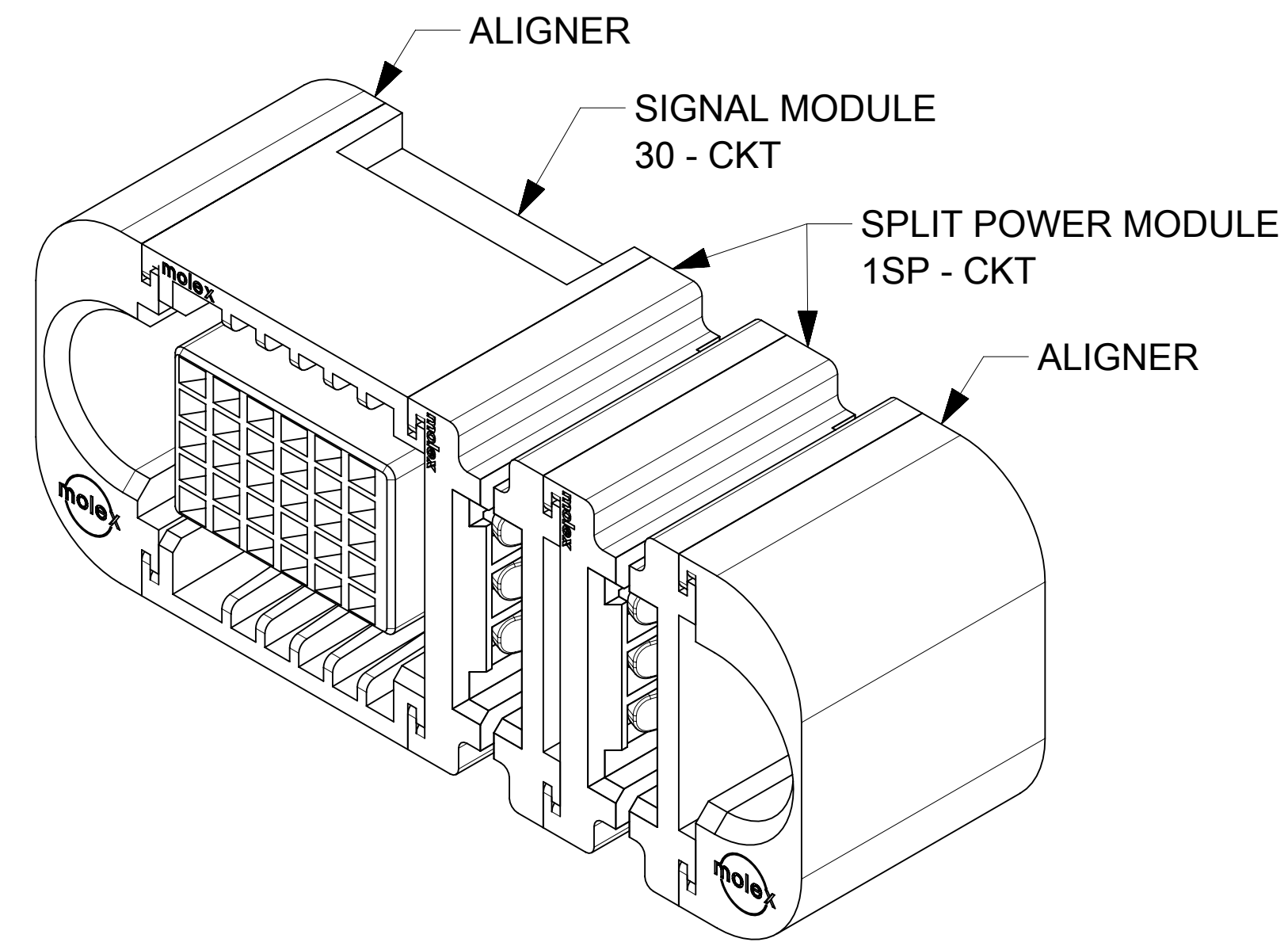
P/N: 171089-8412 (G-2SP-15S-G)



P/N: 171089-8413 (G-3SP-15S-G)



P/N: 171089-8416 (G-1SP-30S-G)



P/N: 171089-8417 (G-2SP-30S-G)

|   |  |       |  |  |  |                |  |           |  |                 |  |
|---|--|-------|--|--|--|----------------|--|-----------|--|-----------------|--|
| THIS DRAWING CONTAINS INFORMATION THAT IS PROPRIETARY TO MOLEX ELECTRONIC TECHNOLOGIES, LLC AND SHOULD NOT BE USED WITHOUT WRITTEN PERMISSION |  |       |  |  |  |                |  |           |  |                 |  |
| DIMENSION UNITS   |  | SCALE |  | CURRENT REV DESC: REMOVED P/N 8414, 8415, 8419 & 8420  |  |                |  |           |  | <b>molex</b>    |  |
| mm  |  | 4:1   |  |  |  |                |  |           |  |                 |  |
| GENERAL TOLERANCES (UNLESS SPECIFIED)   |  |       |  | EC NO: 707711<br>DRWN: KSUTAR 2022/05/20<br>CHK'D: GJEEVANSURES 2022/05/23<br>APPR: HTHYAGARAJ 2022/06/08<br>INITIAL REVISION:<br>DRWN: KSUTAR 2021/09/28<br>APPR: HTHYAGARAJ 2021/11/08 |  |                |  |           |  |                 |  |
| ANGULAR TOL ± 0.5°  |  |       |  |  |  |                |  |           |  |                 |  |
| 4 PLACES ±  |  |       |  |  |  |                |  |           |  |                 |  |
| 3 PLACES ±  |  |       |  |  |  |                |  |           |  |                 |  |
| 2 PLACES ± 0.13   |  |       |  |  |  |                |  |           |  |                 |  |
| 1 PLACE ± 0.25  |  |       |  |  |  |                |  |           |  |                 |  |
| 0 PLACES ±  |  |       |  | DOCUMENT NUMBER  |  | DOC TYPE       |  | DOC PART  |  | REVISION        |  |
|   |  |       |  | 1710898420   |  | PSD            |  | 000       |  | A2              |  |
| DRAFT WHERE APPLICABLE MUST REMAIN WITHIN DIMENSIONS  |  |       |  | THIRD ANGLE PROJECTION   |  | DRAWING        |  | SERIES    |  | MATERIAL NUMBER |  |
|   |  |       |  | D-SIZE   |  | 171089         |  | SEE TABLE |  | CUSTOMER        |  |
|   |  |       |  |  |  | GENERAL MARKET |  |           |  | SHEET NUMBER    |  |
|   |  |       |  |  |  |                |  |           |  | 3 OF 3          |  |