

NOTES:

REFERENCE STANDARD IEC60169-16

1. ELECTRIC PERFORMANCE:

NOMINAL IMPEDANCE : 50 Ω
 FREQUENCY RANGE : DC-6 GHz
 VSWR : 1.10 (3 GHz) MAX
 : 1.20 (6 GHz) MAX
 PIM : -160 dBc (2X43dBm) MAX
 INSERTION LOSS : 0.05 MAX
 INSULATION RESISTANCE : 5000 MΩ MIN
 D.W.V : 1500 VRMS
 CONDUCTOR RESISTANCE : OUTER CONDUCTOR 0.4 MΩ MIN
 : INNER CONDUCTOR 0.8 MΩ MIN

2. MECHANICAL PERFORMANCE:

AXIAL FORCE (INNER CONDUCTOR) : 28N
 (NUT) TORQUE : 5N.m
 (NUT WHORL) PULL : 500N
 TENSILE FORCE (CABLE-CONNECTOR) : 150N
 TORSION(CABLE-CONNECTOR) : 0.3N.m

3. MATERIAL AND PLATING:

INNER CONDUCTOR : BRASS PLATING = Ag (5µm MIN).
 OUTER CONDUCTOR : BRASS PLATING = COPPER-TIN-ZINC (2µm MIN).
 NUT : BRASS PLATING = Ni (5µm MIN)
 GASKET : SILICONE RUBBER
 INSULATOR : PTFE

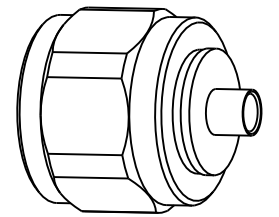
4. ENVIRONMENT:

TEMP. RANGE : -40°C TO +85°C
 WEATHER STANDARD : IEC 60068 40/ 085/ 21
 THERMAL SHOCK : IEC 60068-2-14-NA
 VIBRATION : IEC 60068-2-6-FC
 SHOCK : IEC 60068-2-27

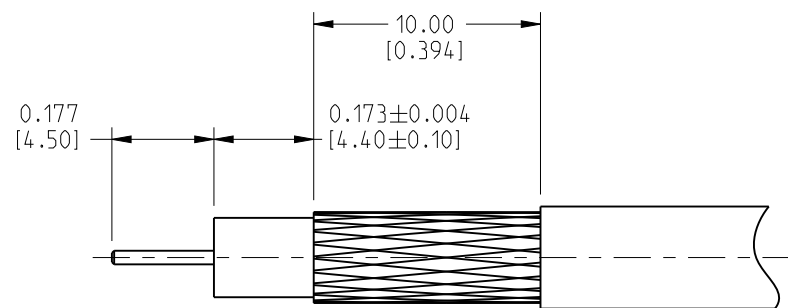
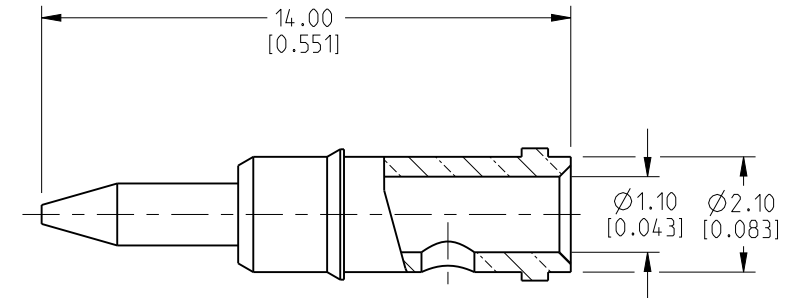
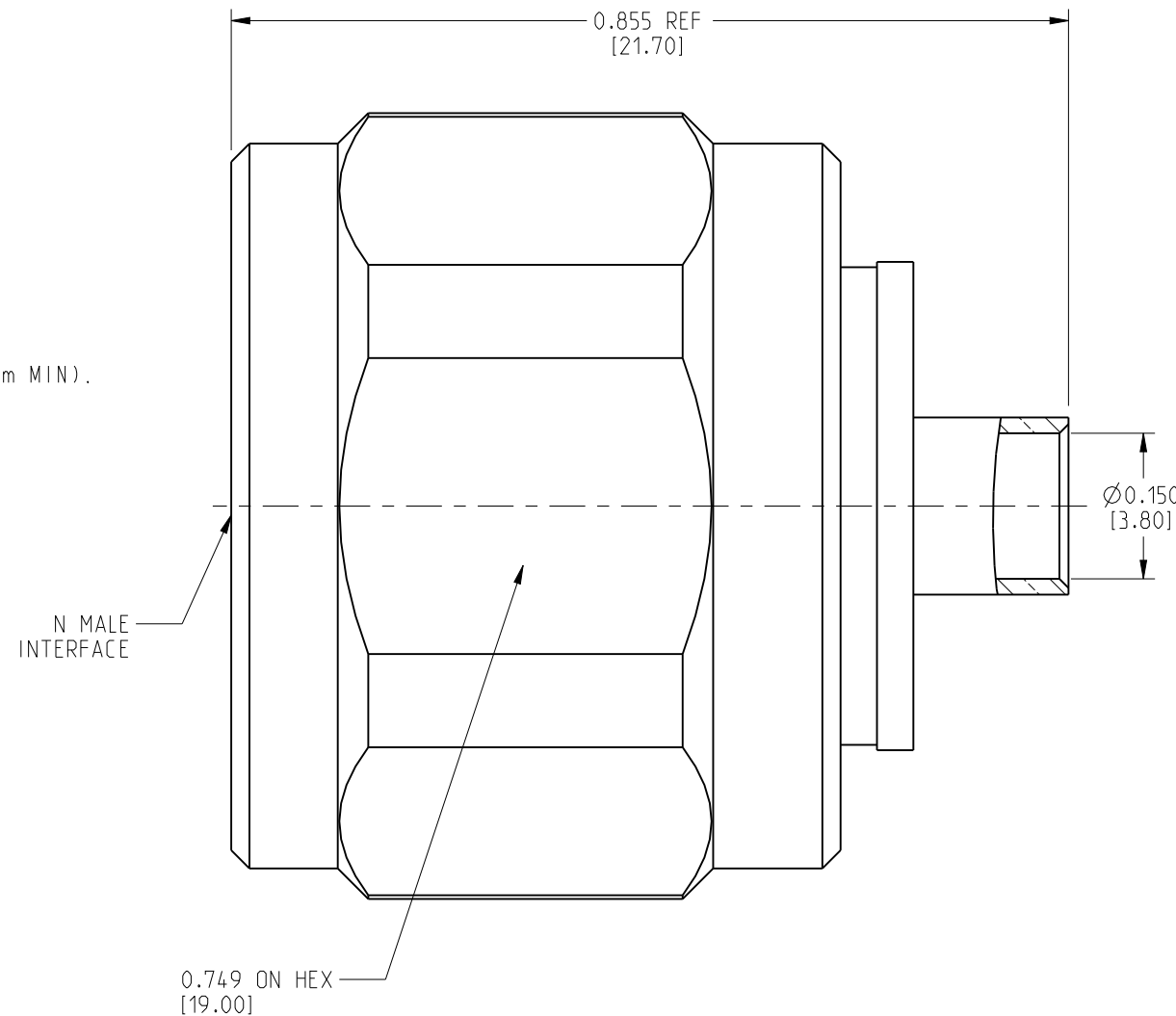
5. ASSEMBLY: INNER AND OUTER CONDUCTOR SOLDERED

6. ROHS COMPLIANT.

172133-16		REVISIONS			
DRAWING NO.	REV	DESCRIPTION	DATE	ECO	APPR
THIRD ANGLE PROJ.	A	RELEASE TO MFG.	11-Oct-12	--	MG
	B	CONTACT SHOWN SEPARATELY	25-Mar-14	2724	MB



SCALE 1.250



RECOMMENDED CABLE STRIPPING DIMENSIONS

CUSTOMER OUTLINE DRAWING
 ALL OTHER SHEETS ARE FOR INTERNAL USE ONLY

UNLESS OTHERWISE SPECIFIED, DIMENSIONS ARE IN INCHES AND TOLERANCES ARE: 2 PLACE DECIMAL ±.015 (0,381 mm) 3 PLACE DECIMAL ±.005 (0,127 mm) ANGLES ± 1°	MATERIAL	DRAWN	DATE	TITLE N STRAIGHT PLUG FOR 0.141" SEMI-RIGID CABLE	Amphenol Connex
	SEE NOTES	GOPI M	11-Oct-12		
NOTICE - These drawings, specifications, or other data (1) are, and remain the property of Amphenol Corp. (2) must be returned upon request; and (3) are confidential and not to be disclosed to any person other than those to whom they are given by Amphenol Corp. The furnishing of these drawings, specifications, or other data by Amphenol Corp., or to any other person to anyone for any purpose is not to be regarded by implication or otherwise in any manner licensing, granting rights or permitting such holder or any other person to manufacture, use or sell any product, process or design, patented or otherwise, that may in any way be related to or disclosed by said drawings, specifications, or other data.	REFERENCE	ENGINEER	DATE	SCALE: 5.0:1 SHEET 1 OF 1	
		GOPI M	11-Oct-12		
		APPROVED	DATE		
		CAD FILE	DWG SIZE	DRAWING NO.	REV
			B	172133-16	B