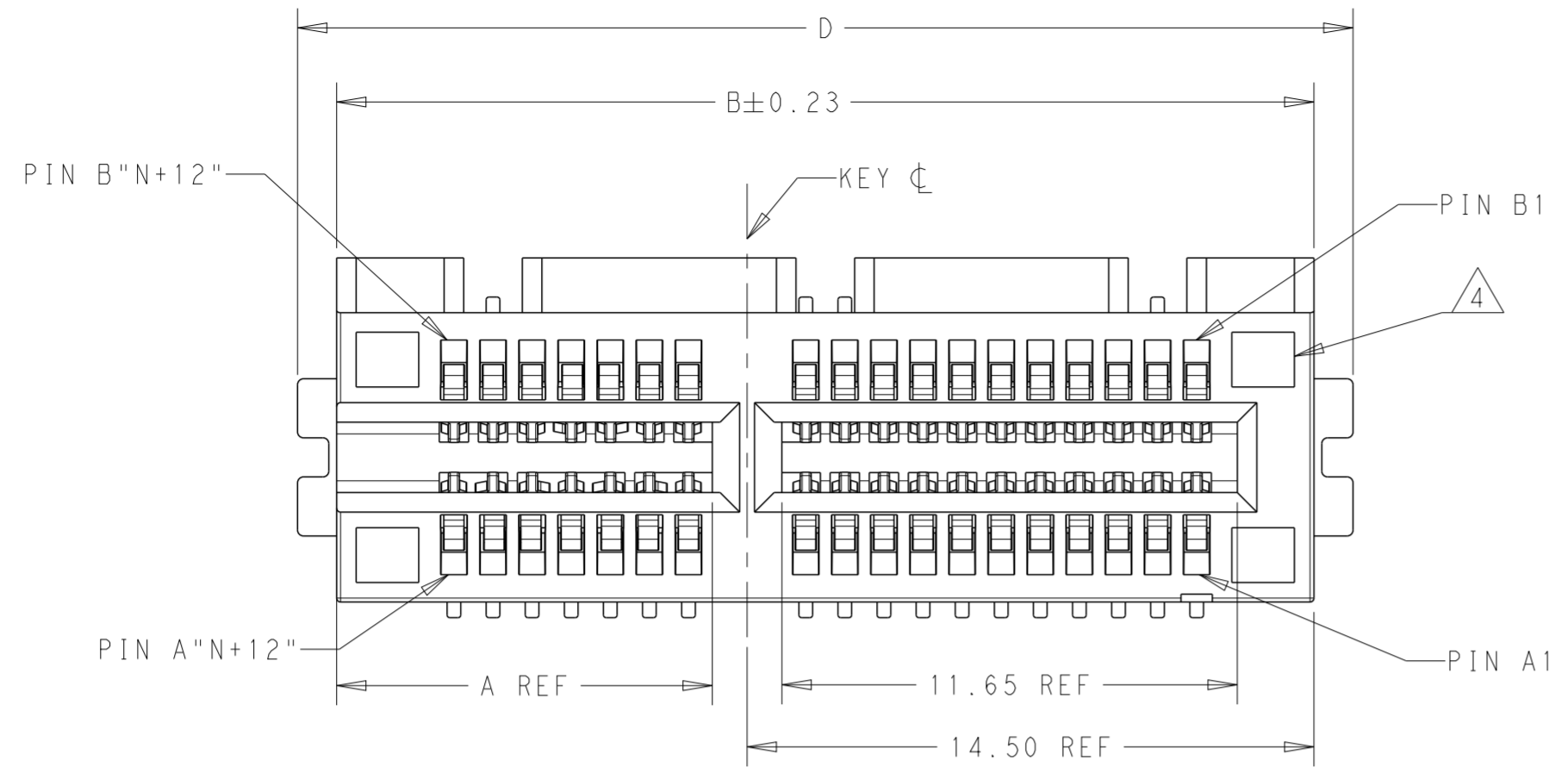
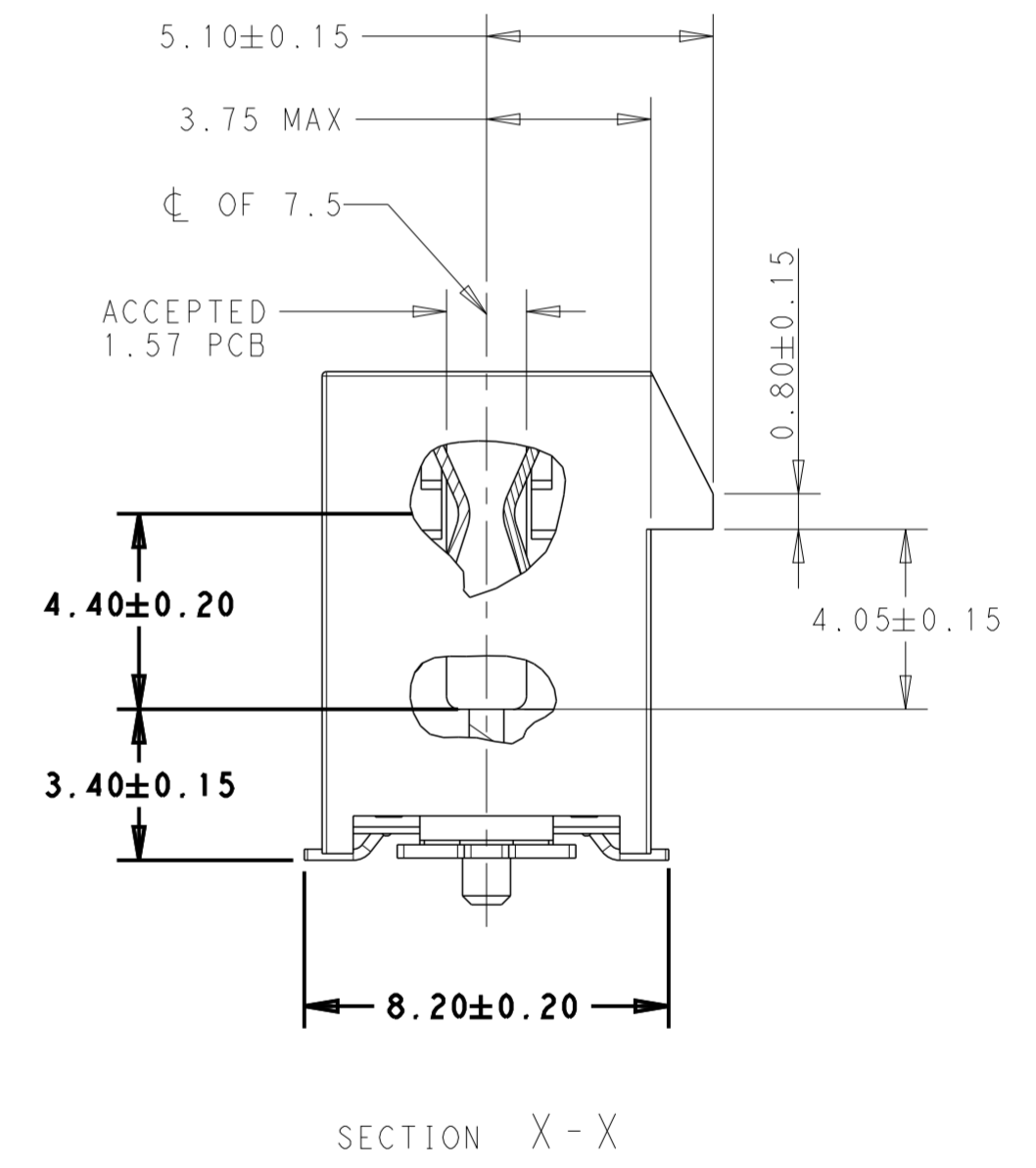
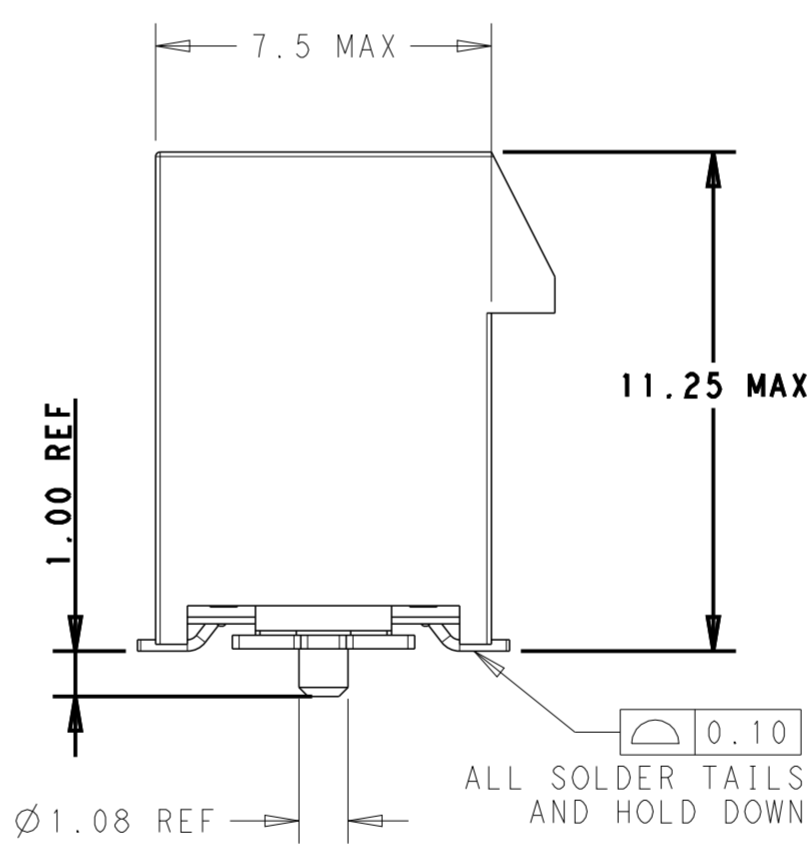
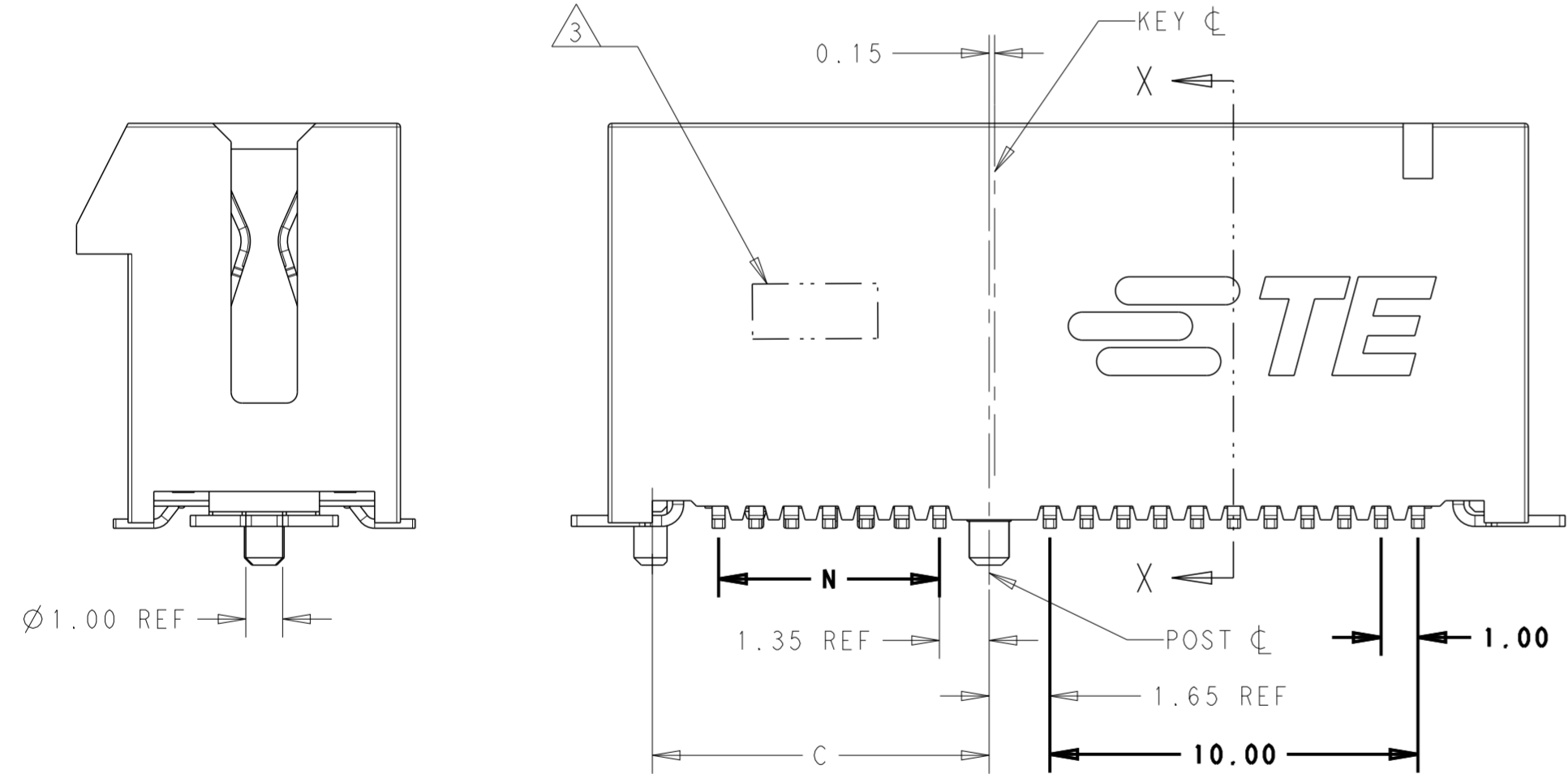


THIS DRAWING IS UNPUBLISHED. RELEASED FOR PUBLICATION 20
 © COPYRIGHT 20 BY - ALL RIGHTS RESERVED.

REVISIONS					
P	LTR	DESCRIPTION	DATE	DWN	APVD
A		A REVISION RELEASE	6JUNE2022	SY	HL
B		UPDATE HARD TRAY IN SHEETS	24NOV2022	MC	HL
B1		ADD NEW PN	10FEB2023	MC	HL



- NOTES:
- 1 MATERIAL:
HOUSING: HIGH-TEMP PLASTIC; BLACK, UL 94V-0
CONTACT: COPPER ALLOY
HOLD DOWN: COPPER ALLOY
 - 2 FINISH:
(SEE TABLE) 0.1 INCH GOLD PLATING OR GOLD FLASH OVER PdNi ON CONTACT AREA.
2.54um MATTE-TIN PLATING ON SOLDER TAIL AREA.
1.27um NICKEL UNDERPLATING OVERALL.
 - 3 PCIE5, PART NUMBER AND DC PRINTED IN APPROPRIATE AREA OR OPPOSITE
 - 4 SUCH CORE VOIDS PER MANUFACTURER'S CONVENIENCE.



THIS DRAWING IS A CONTROLLED DOCUMENT.		DWN SANDERS YAN 08APR2020	TE Connectivity	
DIMENSIONS: mm		CHK MIKE CHEN 08APR2020		
TOLERANCES UNLESS OTHERWISE SPECIFIED:		APVD HOPE LU 08APR2020	NAME PCI EXPRESS CARD EDGE CONNECTOR GEN5, STD, ONE SIDE OPEN	
0 PLC ±	1 PLC ±0.3	PRODUCT SPEC 108-160247	SIZE CAGE CODE DRAWING NO RESTRICTED TO	
2 PLC ±0.20	3 PLC ±0.050	APPLICATION SPEC	A200779 C-2371899	
4 PLC ±	ANGLES ±	WEIGHT	SCALE 6:1 SHEET 1 OF 6 REV B1	
MATERIAL		CUSTOMER DRAWING		

THIS DRAWING IS UNPUBLISHED. RELEASED FOR PUBLICATION 20
 © COPYRIGHT 20 BY - ALL RIGHTS RESERVED.

REVISIONS				
P	LTR	DESCRIPTION	DATE	APVD
-		SEE SHEET 1	-	-

(B1)

TAPE & REEL	88 X 13.92 X 24(W*D*P)	30u"	53.5	8	28	58	37	40.15	56	40.61	98	7-2371899-7
HARD TRAY	330 X 235 X 19.3	30u"	45.0	8	44.5	91	70	73.15	89	73.61	164	7-2371899-4
HARD TRAY	323 X 136 X 19	30u"	53.5	8	28	58	37	40.15	56	40.61	98	5-2371899-9
HARD TRAY	330 X 235 X 19.3	30u"	86.5	8	44.5	91	70	73.15	89	73.61	164	5-2371899-8
HARD TRAY	330 X 235 X 19.3	30u"	53.5	8	28	58	37	40.15	56	40.61	98	5-2371899-7
SOFT TRAY	338 X 235 X 20.3	30u"	36.5	8	19.5	41	20	23.15	39	23.61	64	5-2371899-6
SOFT TRAY	338 X 235 X 18.2	30u"	22.5	8	12.5	27	6	9.15	25	9.61	36	5-2371899-5
HARD TRAY	330 X 235 X 19.3	30u"	10.0	8	44.5	91	70	73.15	89	73.61	164	5-2371899-4
HARD TRAY	330 X 235 X 19.3	30u"	10.0	8	28	58	37	40.15	56	40.61	98	5-2371899-3
SOFT TRAY	338 X 235 X 20.3	30u"	10.0	8	19.5	41	20	23.15	39	23.61	64	5-2371899-2
SOFT TRAY	338 X 235 X 18.2	30u"	10.0	8	12.5	27	6	9.15	25	9.61	36	5-2371899-1
HARD TRAY	330 X 235 X 19.3	15u"	86.5	8	44.5	91	70	73.15	89	73.61	164	4-2371899-8
HARD TRAY	330 X 235 X 19.3	15u"	53.5	8	28	58	37	40.15	56	40.61	98	4-2371899-7
SOFT TRAY	338 X 235 X 20.3	15u"	36.5	8	19.5	41	20	23.15	39	23.61	64	4-2371899-6
SOFT TRAY	338 X 235 X 18.2	15u"	22.5	8	12.5	27	6	9.15	25	9.61	36	4-2371899-5
HARD TRAY	330 X 235 X 19.3	15u"	10.0	8	44.5	91	70	73.15	89	73.61	164	4-2371899-4
HARD TRAY	330 X 235 X 19.3	15u"	10.0	8	28	58	37	40.15	56	40.61	98	4-2371899-3
SOFT TRAY	338 X 235 X 20.3	15u"	10.0	8	19.5	41	20	23.15	39	23.61	64	4-2371899-2
SOFT TRAY	338 X 235 X 18.2	15u"	10.0	8	12.5	27	6	9.15	25	9.61	36	4-2371899-1
HARD TRAY	330 X 235 X 19.3	G/F	86.5	8	44.5	91	70	73.15	89	73.61	164	3-2371899-8
HARD TRAY	330 X 235 X 19.3	G/F	53.5	8	28	58	37	40.15	56	40.61	98	3-2371899-7
SOFT TRAY	338 X 235 X 20.3	G/F	36.5	8	19.5	41	20	23.15	39	23.61	64	3-2371899-6
SOFT TRAY	338 X 235 X 18.2	G/F	22.5	8	12.5	27	6	9.15	25	9.61	36	3-2371899-5
HARD TRAY	330 X 235 X 19.3	G/F	10.0	8	44.5	91	70	73.15	89	73.61	164	3-2371899-4
HARD TRAY	330 X 235 X 19.3	G/F	10.0	8	28	58	37	40.15	56	40.61	98	3-2371899-3
SOFT TRAY	338 X 235 X 20.3	G/F	10.0	8	19.5	41	20	23.15	39	23.61	64	3-2371899-2
SOFT TRAY	338 X 235 X 18.2	G/F	10.0	8	12.5	27	6	9.15	25	9.61	36	3-2371899-1
HARD TRAY	330 X 235 X 19.3	30u"		NA	44.5	91	70	73.15	89	73.61	164	2-2371899-4
HARD TRAY	330 X 235 X 19.3	30u"		NA	28	58	37	40.15	56	40.61	98	2-2371899-3
SOFT TRAY	338 X 235 X 20.3	30u"		NA	19.5	41	20	23.15	39	23.61	64	2-2371899-2
SOFT TRAY	338 X 235 X 18.2	30u"		NA	12.5	27	6	9.15	25	9.61	36	2-2371899-1
HARD TRAY	330 X 235 X 19.3	15u"		NA	44.5	91	70	73.15	89	73.61	164	1-2371899-4
HARD TRAY	330 X 235 X 19.3	15u"		NA	28	58	37	40.15	56	40.61	98	1-2371899-3
SOFT TRAY	338 X 235 X 20.3	15u"		NA	19.5	41	20	23.15	39	23.61	64	1-2371899-2
SOFT TRAY	338 X 235 X 18.2	15u"		NA	12.5	27	6	9.15	25	9.61	36	1-2371899-1
HARD TRAY	330 X 235 X 19.3	G/F		NA	44.5	91	70	73.15	89	73.61	164	2371899-4
HARD TRAY	330 X 235 X 19.3	G/F		NA	28	58	37	40.15	56	40.61	98	2371899-3
SOFT TRAY	338 X 235 X 20.3	G/F		NA	19.5	41	20	23.15	39	23.61	64	2371899-2
SOFT TRAY	338 X 235 X 18.2	G/F		NA	12.5	27	6	9.15	25	9.61	36	2371899-1
TYPE	L * W * H (TRAY)	PRECIOUS PLATING THICKNESS (TOTAL)	W	V	J	D	N	C	B	A	POS.	PART NUMBER
PACKAGE			MYLAR SIZE (PAGE 4)									

THIS DRAWING IS A CONTROLLED DOCUMENT.

DWN SANDERS YAN 08APR2020
 CHK MIKE CHEN 08APR2020
 APVD HOPE LU 08APR2020

STE TE Connectivity

NAME: PCI EXPRESS CARD EDGE CONNECTOR GEN5, STD, ONE SIDE OPEN

PRODUCT SPEC: 108-160247

APPLICATION SPEC: -

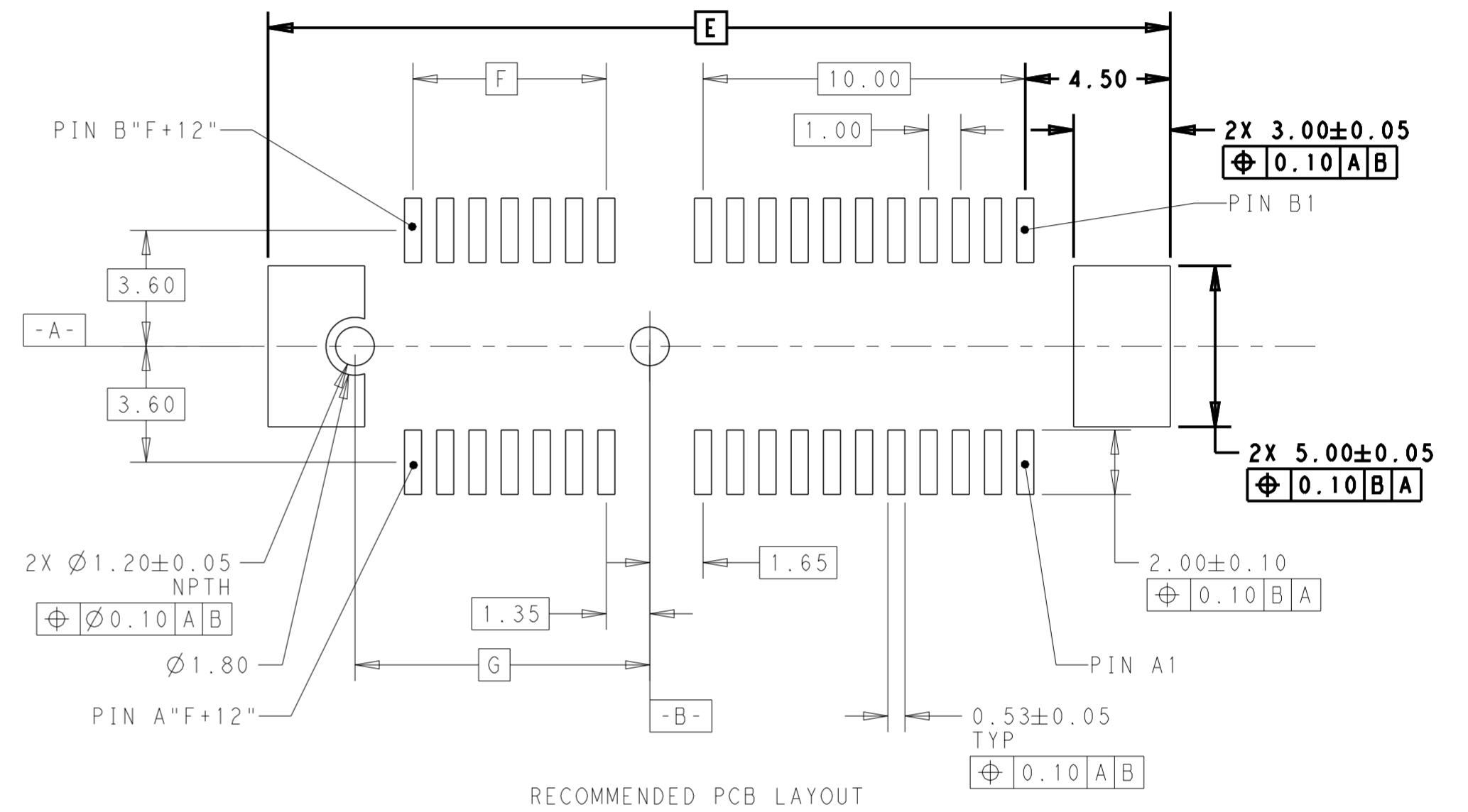
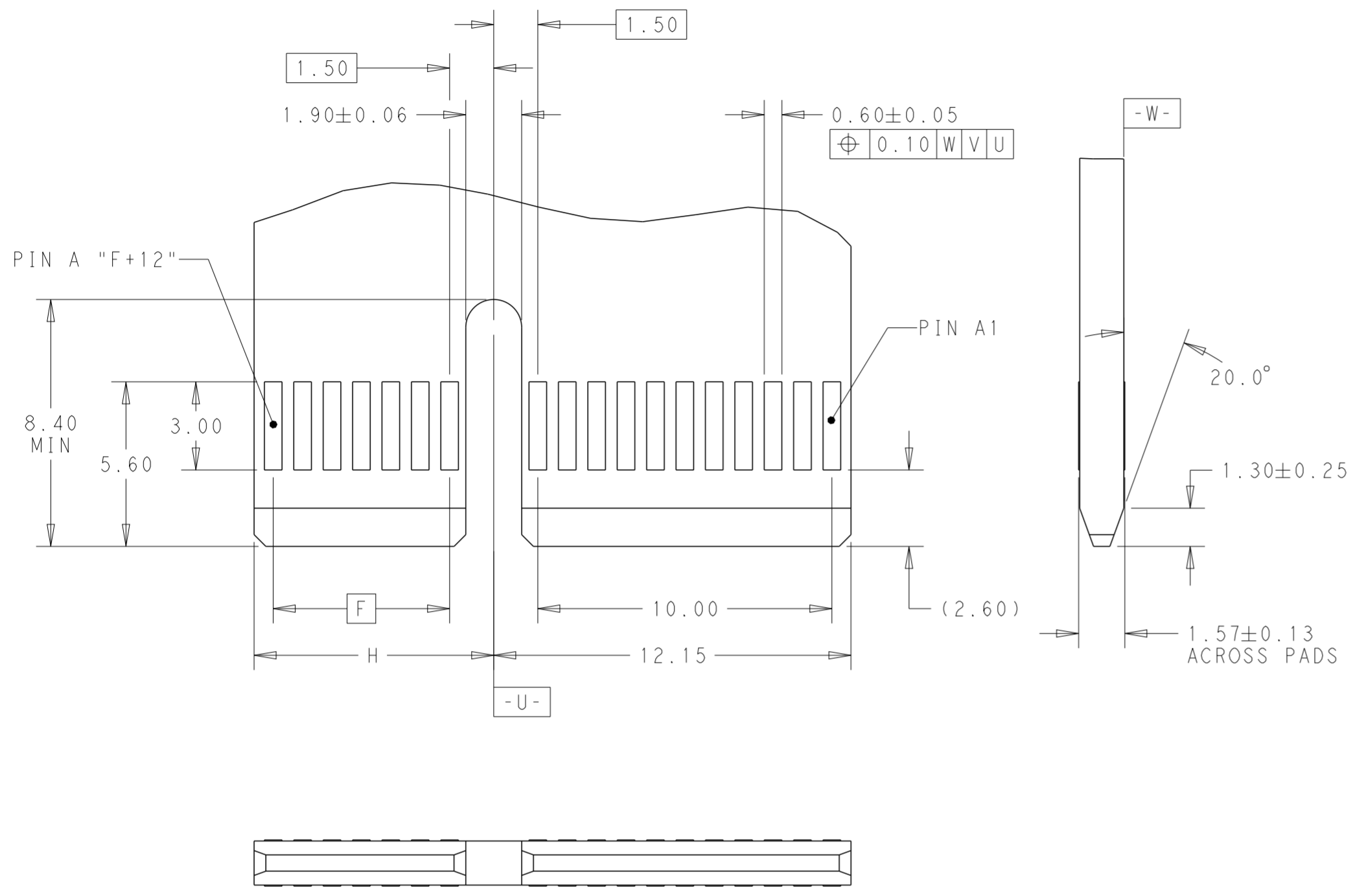
SIZE: A2 CAGE CODE: 00779 DRAWING NO: C-2371899 RESTRICTED TO: -

WEIGHT: -

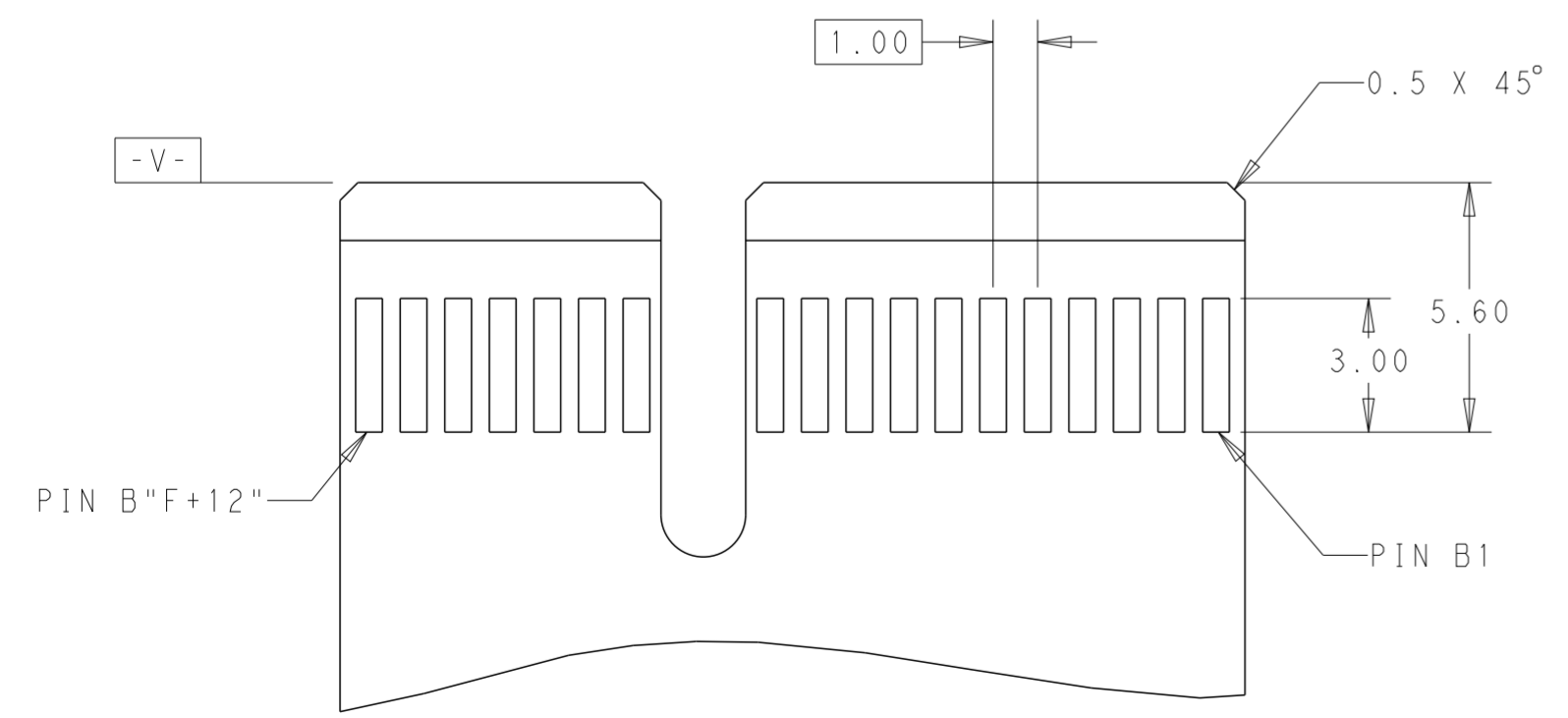
CUSTOMER DRAWING SCALE: 6:1 SHEET: 2 OF 6 REV: B1

THIS DRAWING IS UNPUBLISHED. RELEASED FOR PUBLICATION 20
 © COPYRIGHT 20 BY - ALL RIGHTS RESERVED.

REVISIONS				
P	LTR	DESCRIPTION	DATE	APVD
-	-	SEE SHEET 1	-	-



RECOMMENDED PCB LAYOUT



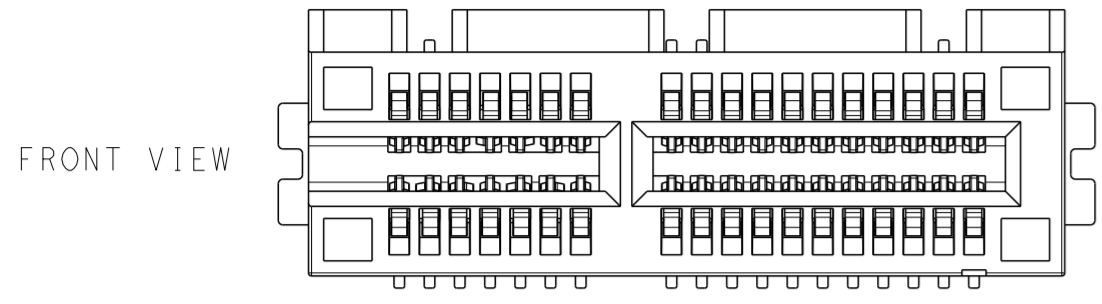
ADD-IN CARD EDGE-FINGER DIMENSION
 DEFAULT TOLERANCE ±0.13

164	92.00	70	73.15	72.15
98	59.00	37	40.15	39.15
64	42.00	20	23.15	22.15
36	28.00	6	9.15	8.15
POS.	DIM. E	DIM. F	DIM. G	DIM. H

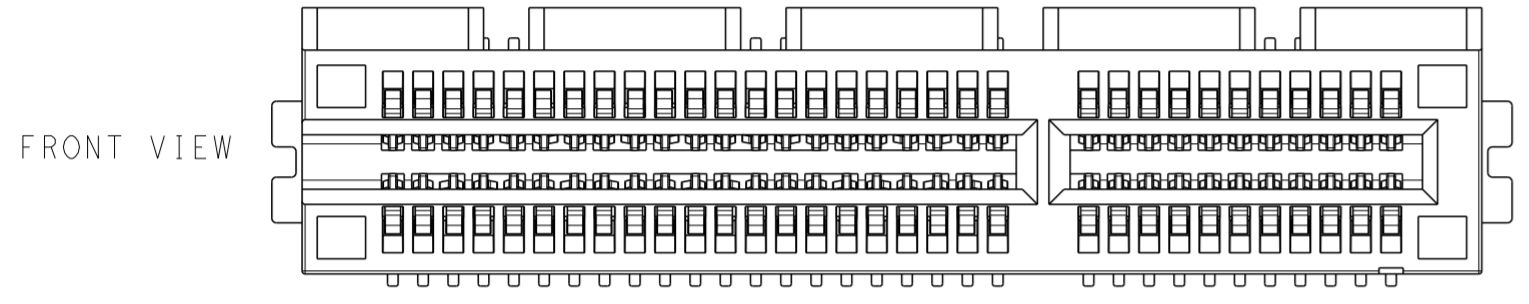
THIS DRAWING IS A CONTROLLED DOCUMENT.		DWN 08APR2020 SANDERS, YAN	TE Connectivity	
		CHK 08APR2020 MIKE, CHEN		
		APVD 08APR2020 HOPE, LU	NAME PCI EXPRESS CARD EDGE CONNECTOR GEN5, STD, ONE SIDE OPEN	
DIMENSIONS: mm		TOLERANCES UNLESS OTHERWISE SPECIFIED:		PRODUCT SPEC 108-160247
		0 PLC ±		APPLICATION SPEC
		1 PLC ±0.3		SIZE A200779
		2 PLC ±0.20		CAGE CODE C-2371899
		3 PLC ±0.050		DRAWING NO
		4 PLC ±		RESTRICTED TO
		ANGLES ±		SCALE 6:1
		FINISH		SHEET 3 OF 6
MATERIAL		WEIGHT		REV B1
		CUSTOMER DRAWING		

THIS DRAWING IS UNPUBLISHED. RELEASED FOR PUBLICATION 20
 © COPYRIGHT 20 BY - ALL RIGHTS RESERVED.

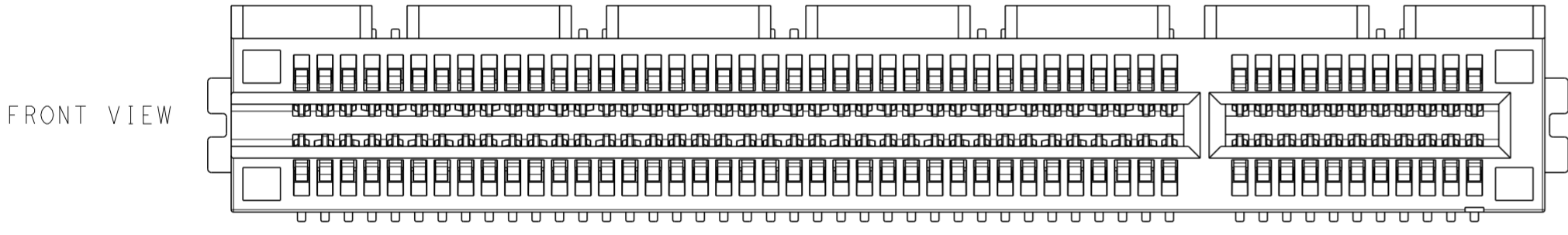
REVISIONS				
P	LTR	DESCRIPTION	DATE	APVD
-	-	SEE SHEET 1	-	-



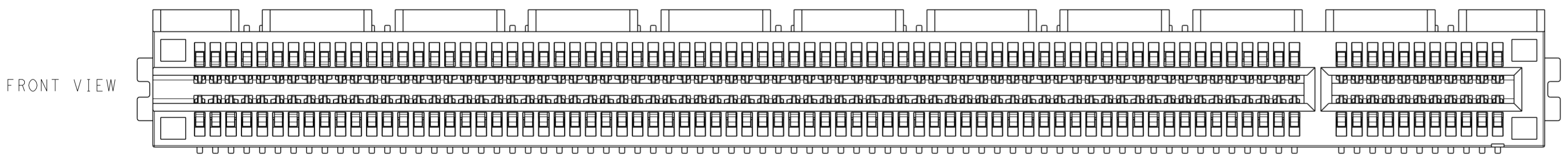
36POS AS SHOWN
SCALE 4:1



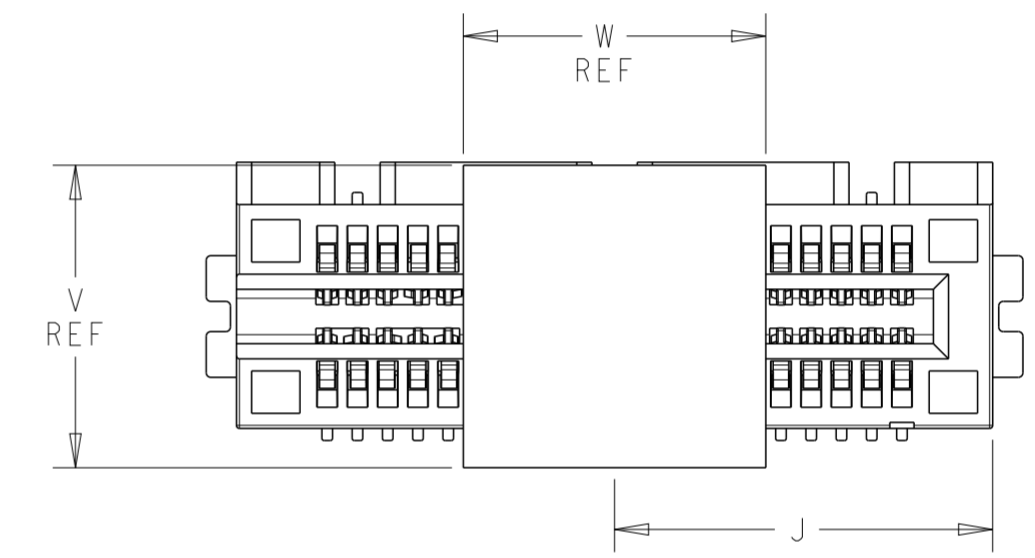
64POS AS SHOWN
SCALE 4:1



98POS AS SHOWN
SCALE 4:1



164POS AS SHOWN
SCALE 4:1

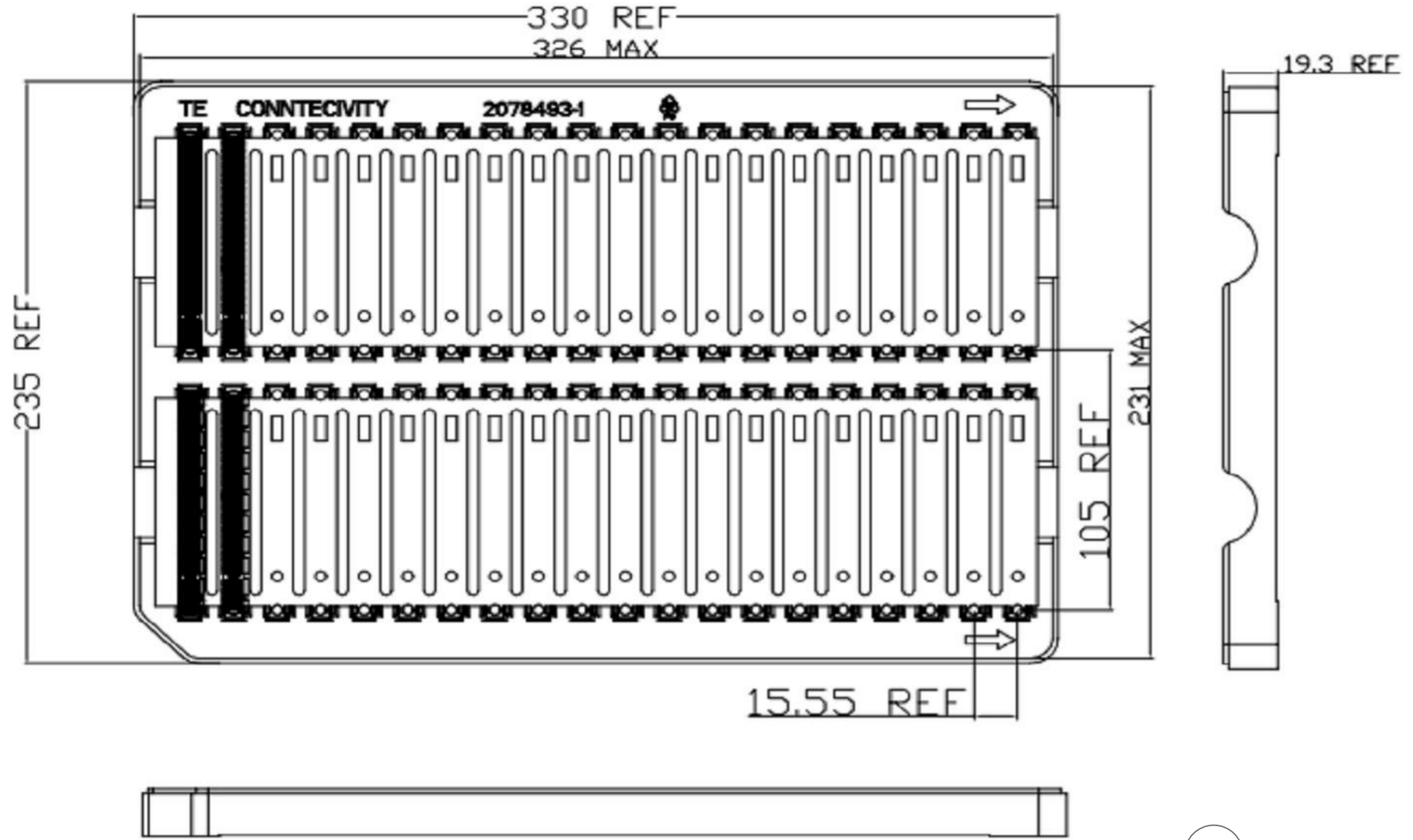


MYLAR SIZE
SCALE 4:1

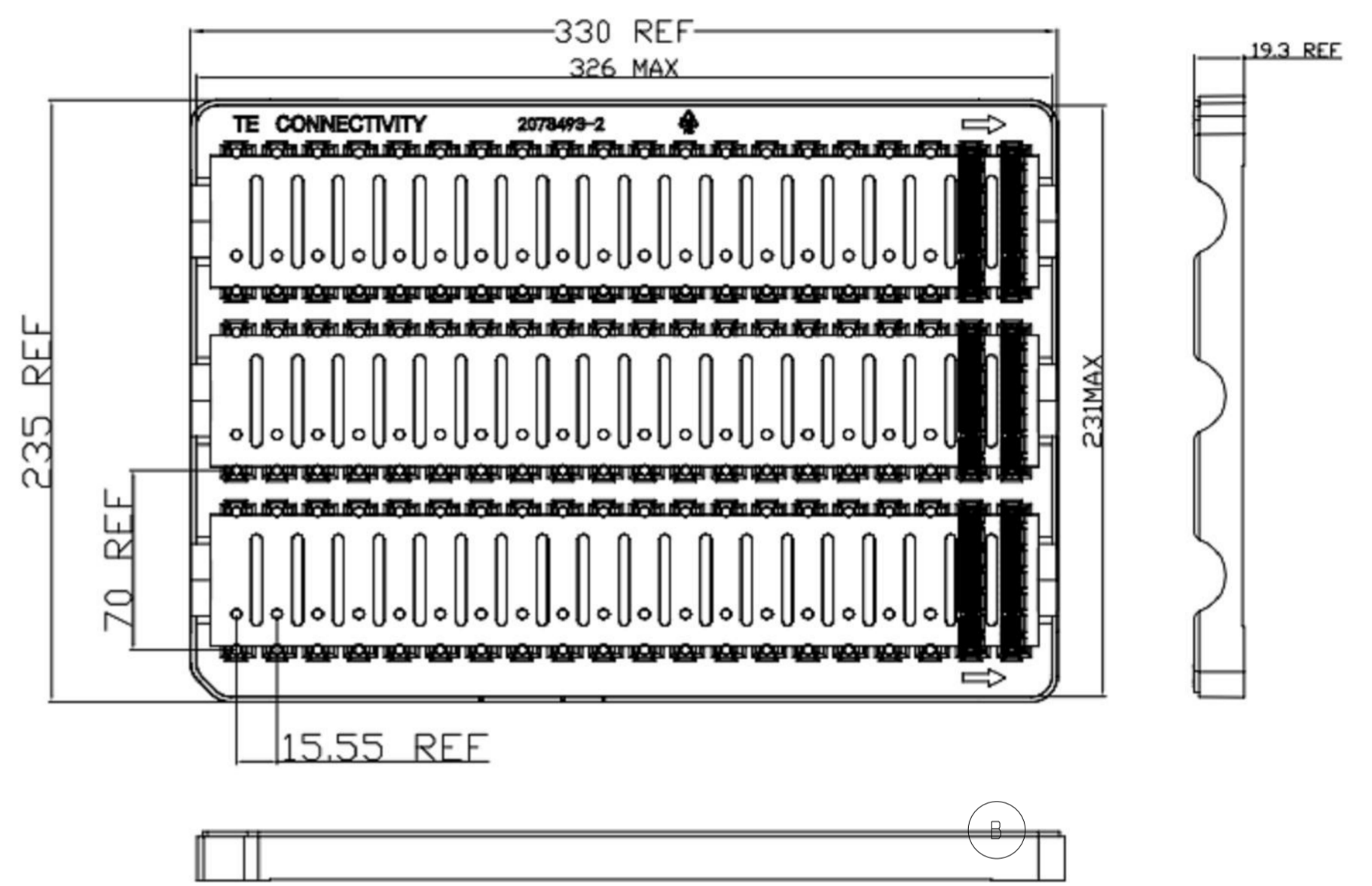
THIS DRAWING IS A CONTROLLED DOCUMENT.		DWN 08APR2020 SANDERS, YAN	TE Connectivity	
DIMENSIONS: mm		CHK 08APR2020 MIKE, CHEN		
		APVD 08APR2020 HOPE, LU	NAME PCI EXPRESS CARD EDGE CONNECTOR GEN5, STD, ONE SIDE OPEN	
TOLERANCES UNLESS OTHERWISE SPECIFIED:		PRODUCT SPEC 108-160247	SIZE A200779	CAGE CODE C-2371899
0 PLC ± 1 PLC ±0.3 2 PLC ±0.20 3 PLC ±0.050 4 PLC ±		APPLICATION SPEC -	DRAWING NO -	RESTRICTED TO -
MATERIAL -		WEIGHT -	SCALE 6:1 SHEET 4 OF 6 REV B1	
-		CUSTOMER DRAWING		

THIS DRAWING IS UNPUBLISHED. RELEASED FOR PUBLICATION 20
 © COPYRIGHT 20 BY - ALL RIGHTS RESERVED.

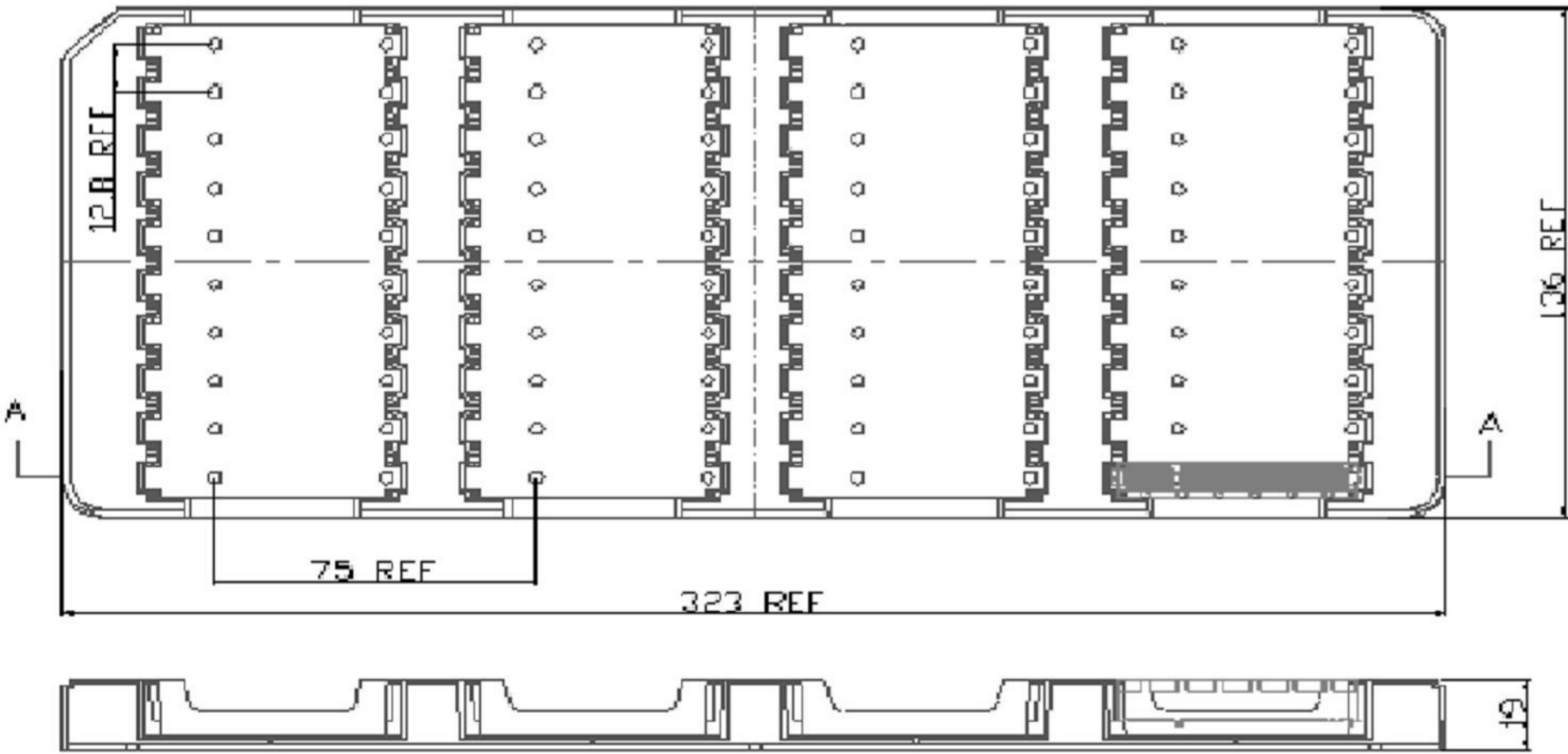
REVISIONS				
P	LTR	DESCRIPTION	DATE	APVD
-	-	SEE SHEET 1	-	-



HARD TRAY: FOR 164POS
SCALE 1:2



HARD TRAY: FOR 98POS
SCALE 1:2



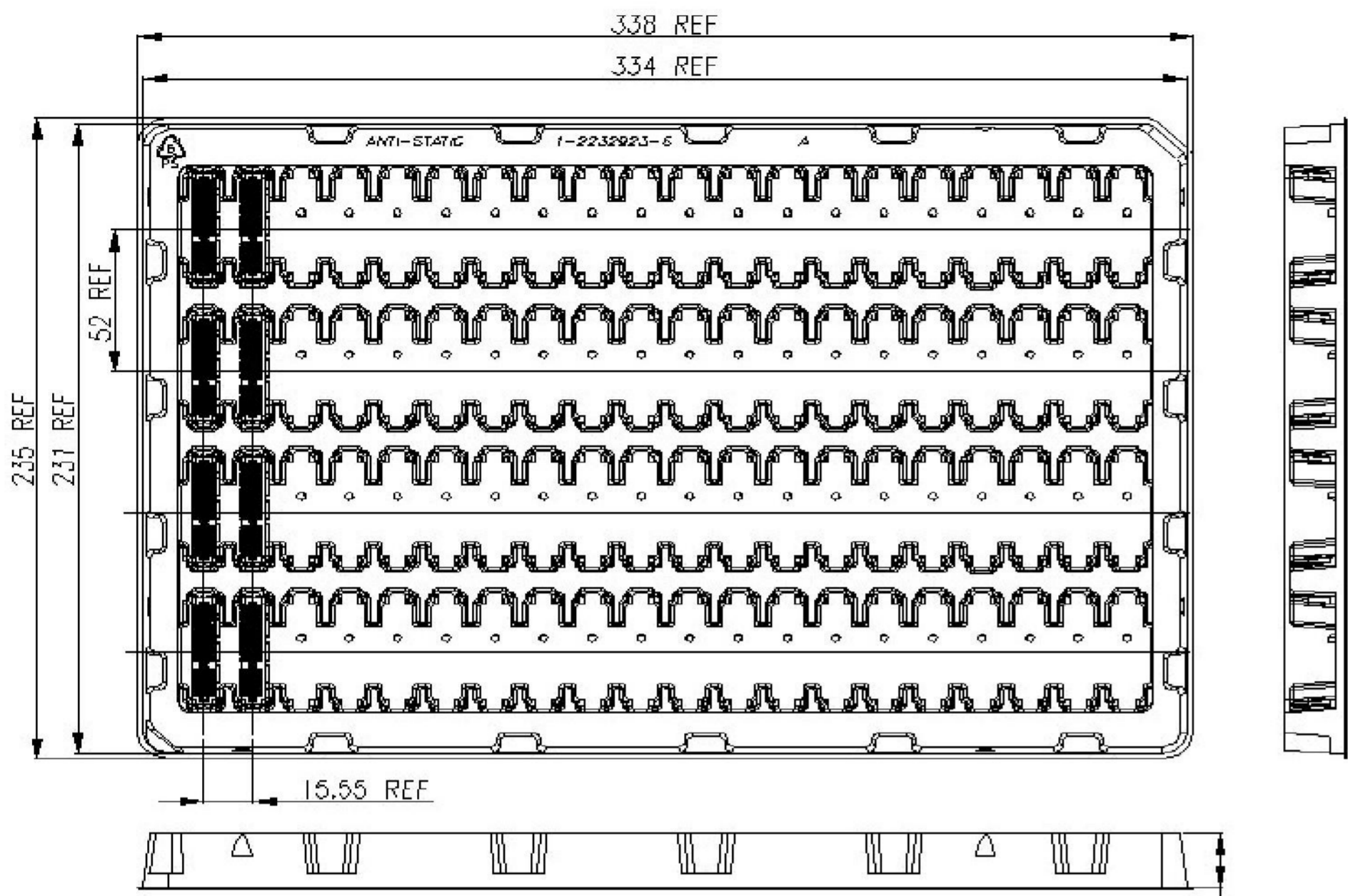
SECTION A-A

HARD TRAY: FOR 98POS
5-2371899-9

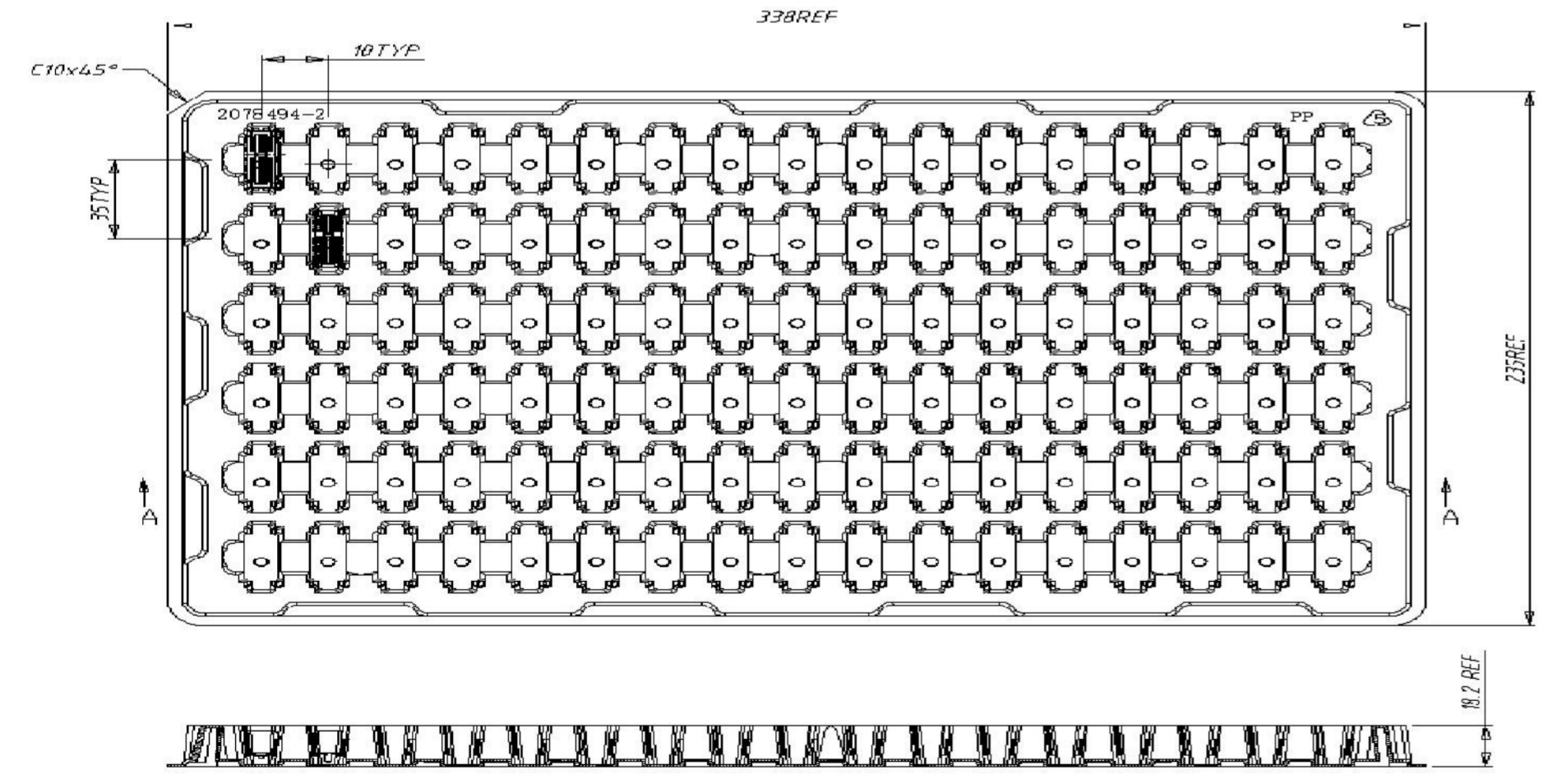
THIS DRAWING IS A CONTROLLED DOCUMENT.		DWN 08APR2020 SANDERS, YAN	TE Connectivity	
DIMENSIONS: mm		CHK 08APR2020 MIKE, CHEN		
TOLERANCES UNLESS OTHERWISE SPECIFIED:		APVD 08APR2020 HOPE, LU	NAME PCI EXPRESS CARD EDGE CONNECTOR GEN5, STD, ONE SIDE OPEN	
0 PLC ± 1 PLC ±0.3 2 PLC ±0.20 3 PLC ±0.050 4 PLC ± ANGLES ± FINISH -		PRODUCT SPEC 108-160247	SIZE A2	CAGE CODE 00779
MATERIAL -		APPLICATION SPEC -	DRAWING NO C-2371899	RESTRICTED TO -
-		WEIGHT -	SCALE 4:1	SHEET 5 OF 6
-		CUSTOMER DRAWING	REV B1	

THIS DRAWING IS UNPUBLISHED. RELEASED FOR PUBLICATION 20
 © COPYRIGHT 20 BY - ALL RIGHTS RESERVED.

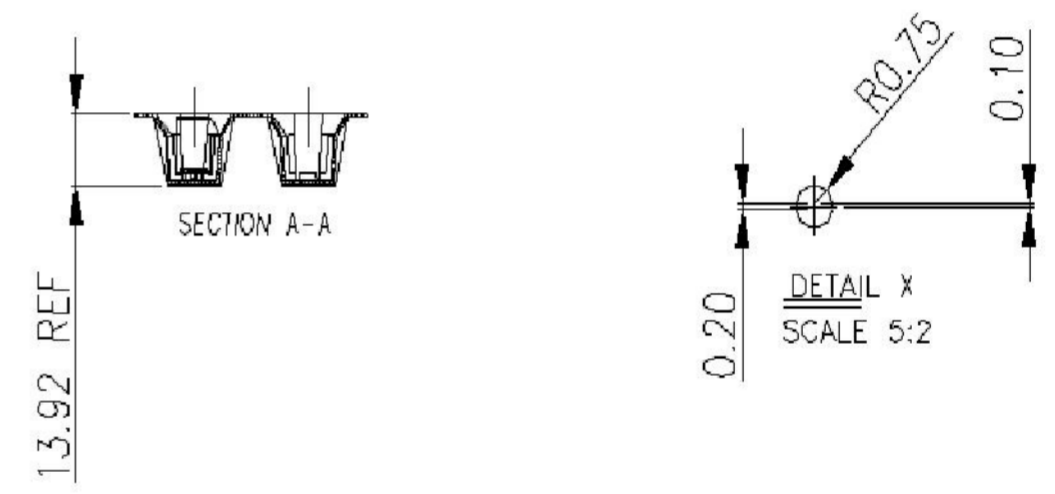
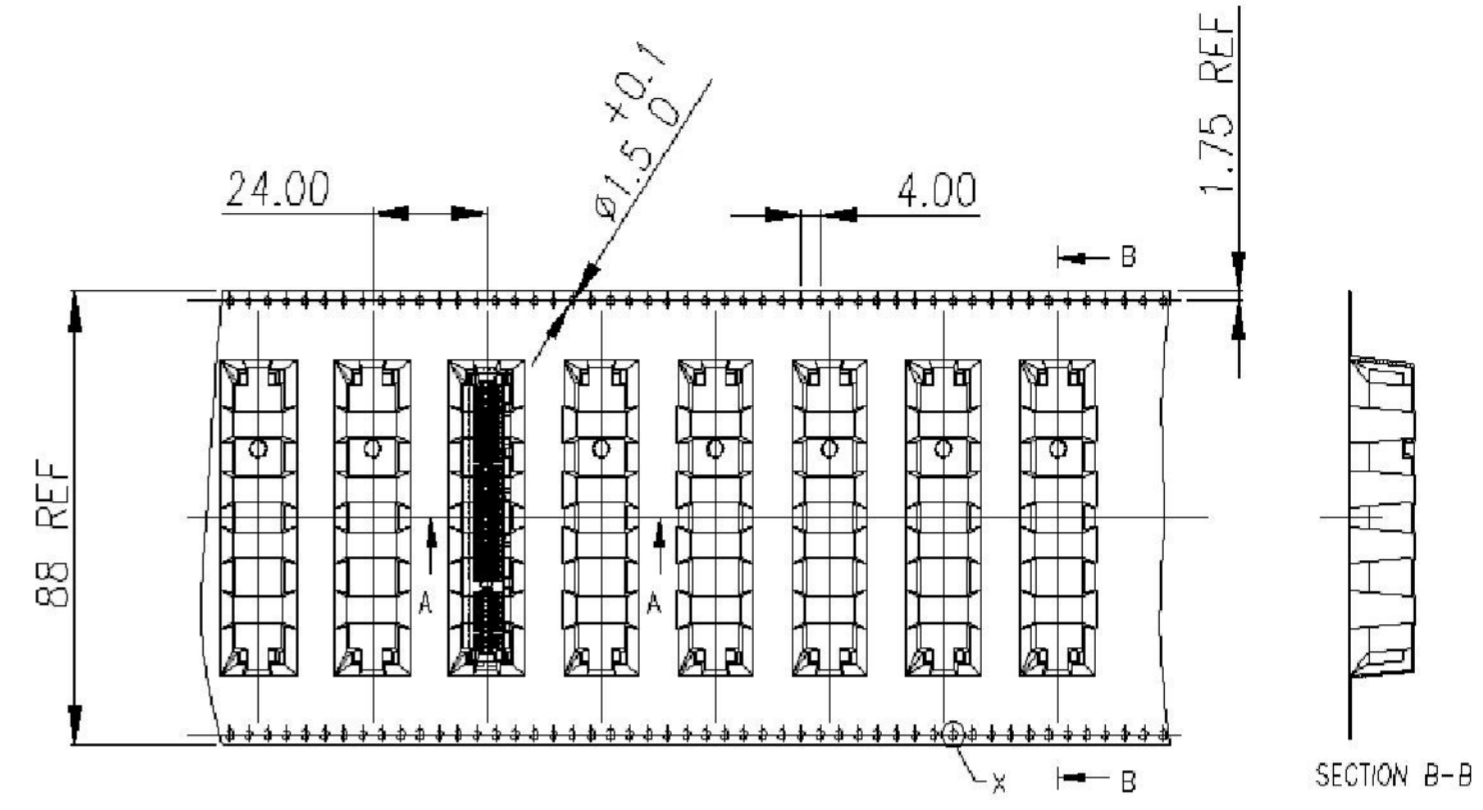
REVISIONS				
P	LTR	DESCRIPTION	DATE	APVD
-	-	SEE SHEET 1	-	-




SOFT TRAY: FOR 64POS
SCALE 1:2



SOFT TRAY: FOR 36POS
SCALE 1:2



TAPE & REEL: FOR 7-2371899-7 (98POS)
SCALE 1:2

THIS DRAWING IS A CONTROLLED DOCUMENT.		DWN 08APR2020 SANDERS, YAN	 TE Connectivity	
DIMENSIONS: mm		CHK 08APR2020 MIKE, CHEN		
TOLERANCES UNLESS OTHERWISE SPECIFIED:		APVD 08APR2020 HOPE, LU	NAME PCI EXPRESS CARD EDGE CONNECTOR GEN5, STD, ONE SIDE OPEN	
0 PLC ± 1 PLC ±0.3 2 PLC ±0.20 3 PLC ±0.050 4 PLC ± ANGLES ± FINISH ±		PRODUCT SPEC 108-160247	SIZE A2	CAGE CODE 00779
MATERIAL		APPLICATION SPEC	DRAWING NO C-2371899	RESTRICTED TO
		WEIGHT	SCALE 4:1	SHEET 6 OF 6
		CUSTOMER DRAWING	REV B1	