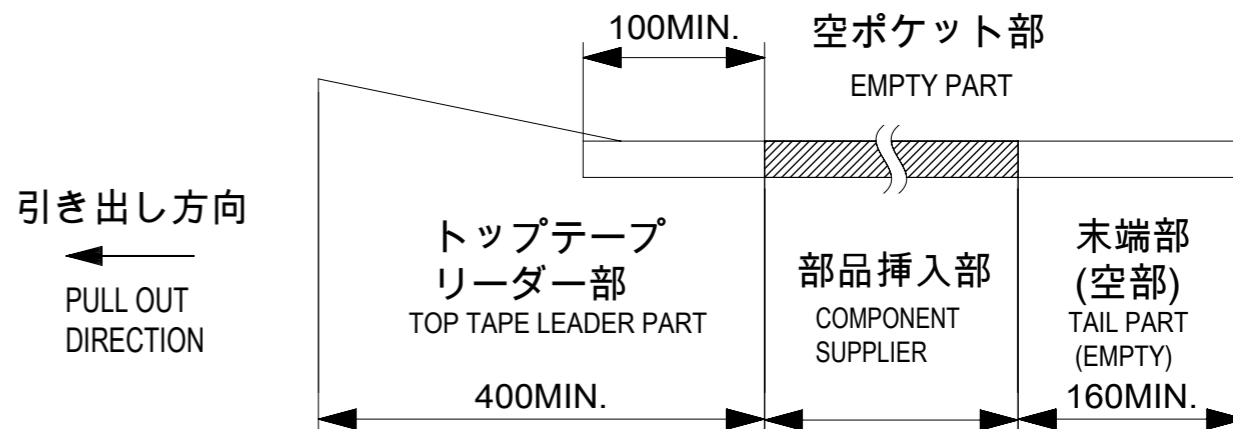


NOTES

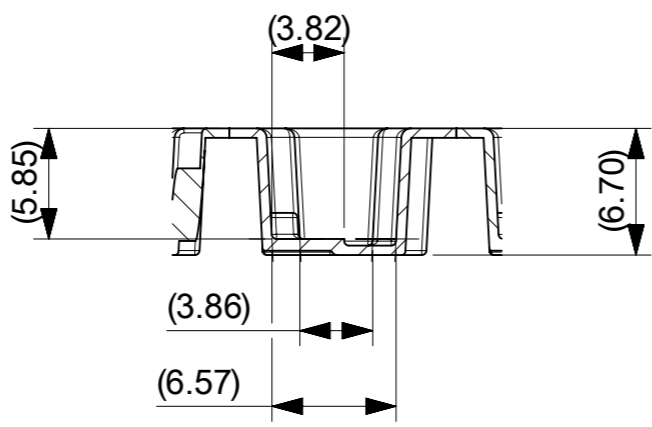
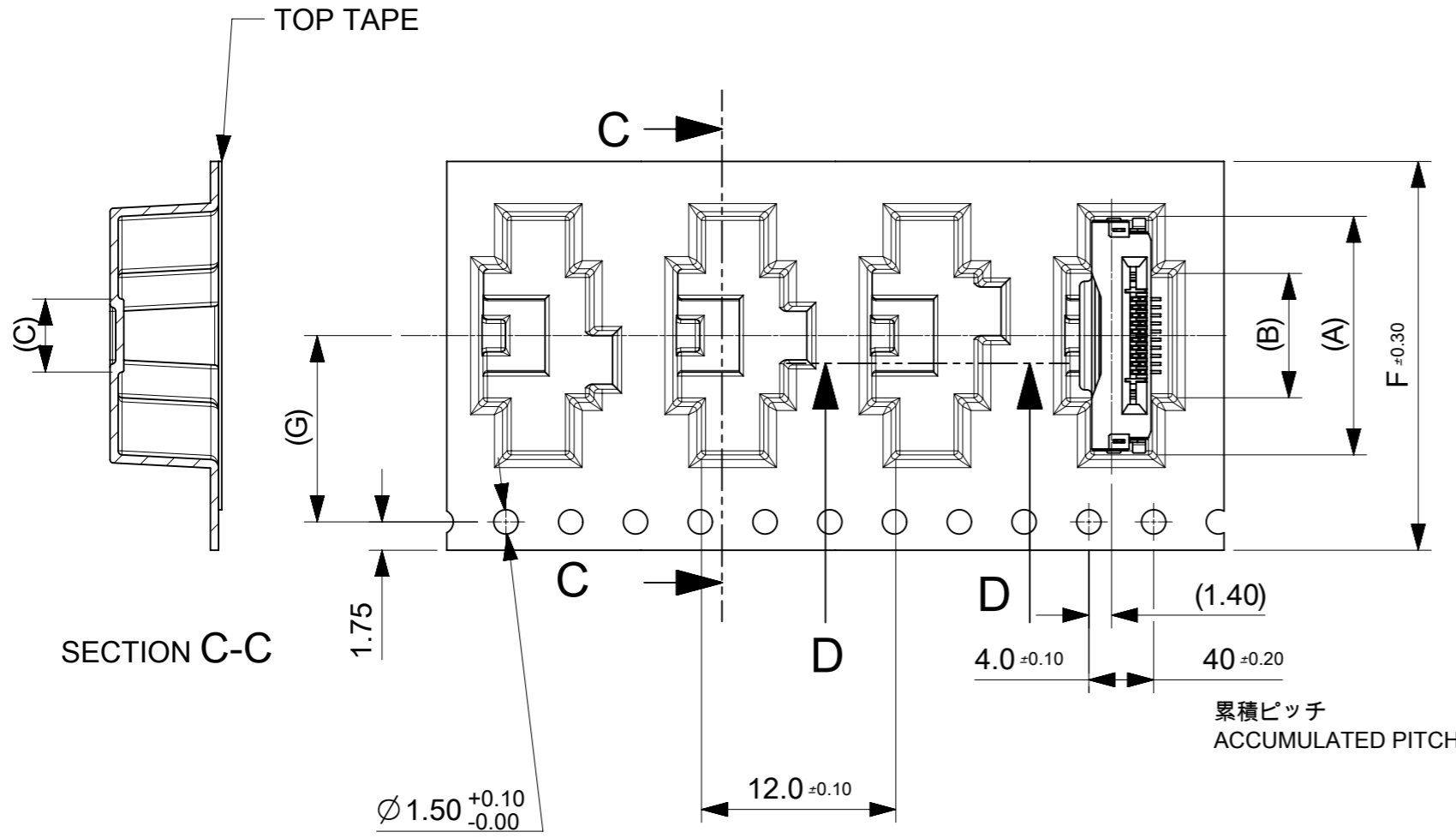
- 梱包数量 : 1200個 / リール  
NUMBER OF CONNECTORS : 1200 PCS/REEL.
- リードテープ長さ  
LEAD TAPE LENGTH



- カバーテープの剥離強度については、IEC60286-3に準拠。  
TOP TAPE PEEL FORCE IS DEFINED BY IEC 60286-3.
- 製品詳細寸法については、図面 2004851100を参照下さい。  
FOR DIMENSIONS OF PRODUCT, REFER TO 2004851100
- 材料 MATERIAL  
キャリアテープ : ポリスチレン  
CARRIER TAPE : POLYSTYRENE  
トップテープ : ポリエチレンテレフタレート、ポリエチレン  
TOP TAPE : POLYETHYLENE TEREPHTHALATE, POLYETHYLENE  
リール : ポリスチレン<リサイクル材を含む>  
REEL: POLYSTYRENE RECYCLED MATERIAL CONTAINED
- ELV及びRoHS適合品 ELV AND RoHS COMPLIANT.

|   |         |                        |         |                          |                 |              |
|---|---------|------------------------|---------|--------------------------|-----------------|--------------|
| THIS DRAWING CONTAINS INFORMATION THAT IS PROPRIETARY TO MOLEX ELECTRONIC TECHNOLOGIES, LLC AND SHOULD NOT BE USED WITHOUT WRITTEN PERMISSION |         | CURRENT REV DESC:      |         | <b>molex</b>             |                 |              |
| DIMENSION UNITS   | SCALE   |                        |         |                          |                 |              |
| mm  | NTS     |                        |         | EMB PKG ONE-TOUCH ST HT  |                 |              |
| GENERAL TOLERANCES (UNLESS SPECIFIED)   |         |                        |         | PRODUCT CUSTOMER DRAWING |                 |              |
| ANGULAR TOL   | ± 1.0 ° |                        |         | DOCUMENT NUMBER          |                 |              |
| 4 PLACES  | ± 0.1   | EC NO: 648126          |         | 2004850100               |                 |              |
| 3 PLACES  | ± 0.1   | DRWN: TYAMANE          |         | PSD                      |                 |              |
| 2 PLACES  | ± 0.1   | CHK'D: YMATSUMOTO      |         | 000                      |                 |              |
| 1 PLACE   | ± 0.1   | APPR: SHOSHIKAWA       |         | B                        |                 |              |
| 0 PLACES  | ± 0.1   | INITIAL REVISION:      |         | REVISION                 |                 |              |
| DRAFT WHERE APPLICABLE MUST REMAIN WITHIN DIMENSIONS  |         | THIRD ANGLE PROJECTION | DRAWING | SERIES                   | MATERIAL NUMBER | CUSTOMER     |
|   |         |                        | A3-SIZE | 200485                   | SEE TABLE       | GENERAL      |
|   |         |                        |         |                          |                 | SHEET NUMBER |
|   |         |                        |         |                          |                 | 1 OF 3       |

引き出し方向  
PULL OUT  
DIRECTION



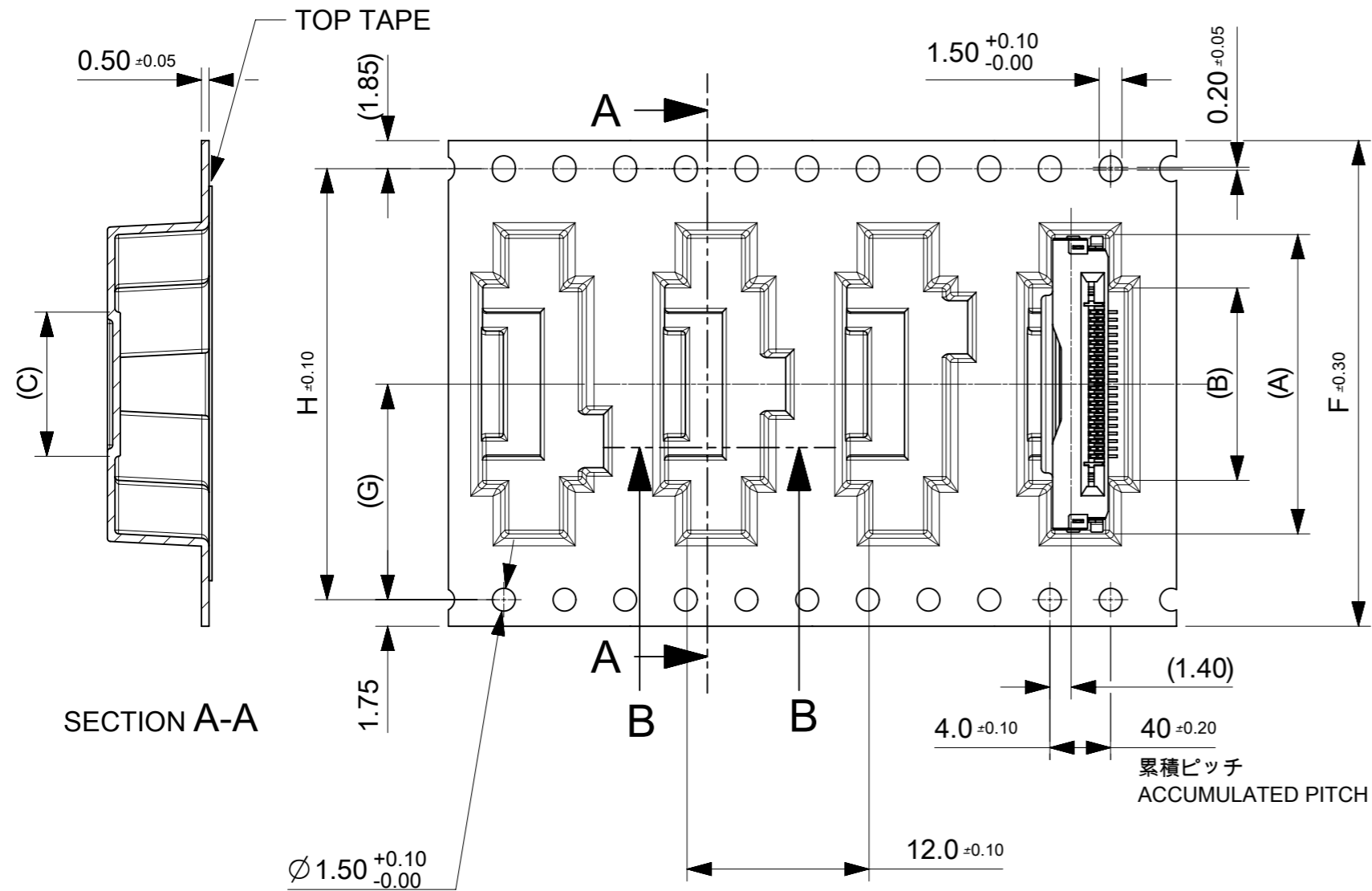
SECTION D-D

|      |    |      |      |     |      |      |                  |     |
|------|----|------|------|-----|------|------|------------------|-----|
| 11.5 | 24 | 29.4 | 25.4 | 4.5 | 7.65 | 14.7 | 2004850110       | 10  |
| G    | F  | E    | D    | C   | B    | A    | EMBOSSED PACKAGE | Ckt |
|      |    |      |      |     |      |      | オーダー番号 ORDER NO. |     |

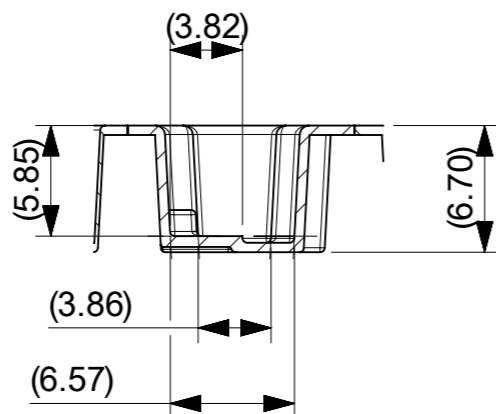
|   |  |                        |  |   |  |                   |  |                            |  |
|---|--|------------------------|--|---|--|-------------------|--|----------------------------|--|
| THIS DRAWING CONTAINS INFORMATION THAT IS PROPRIETARY TO MOLEX ELECTRONIC TECHNOLOGIES, LLC AND SHOULD NOT BE USED WITHOUT WRITTEN PERMISSION |  |                        |  |   |  |                   |  |                            |  |
| DIMENSION UNITS<br>mm   |  | SCALE<br>NTS           |  | CURRENT REV DESC:   |  |                   |  |                            |  |
| GENERAL TOLERANCES<br>(UNLESS SPECIFIED)  |  | ANGULAR TOL ± 1.0°     |  | <b>molex</b><br>EMB PKG ONE-TOUCH ST HT<br>PRODUCT CUSTOMER DRAWING |  |                   |  |                            |  |
| 4 PLACES ± 0.1  |  | 3 PLACES ± 0.1         |  | 2 PLACES ± 0.1  |  | 1 PLACE ± 0.1     |  | 0 PLACES ± 0.1             |  |
| EC NO: 648126   |  | DRWN: TYAMANE          |  | 2020/10/15  |  | CHK'D: YMATSUMOTO |  | 2020/10/30                 |  |
| APPR: SHOSHIKAWA  |  | 2020/11/02             |  | INITIAL REVISION:   |  | DRWN: TYAMANE     |  | 2018/10/04                 |  |
| APPR: SHOSHIKAWA  |  | 2020/06/08             |  | DOCUMENT NUMBER   |  | 2004850100        |  | DOC TYPE DOC PART REVISION |  |
| DRAFT WHERE APPLICABLE<br>MUST REMAIN<br>WITHIN DIMENSIONS  |  | THIRD ANGLE PROJECTION |  | DRAWING   |  | SERIES            |  | MATERIAL NUMBER            |  |
|   |  | A3-SIZE                |  | 200485  |  | SEE TABLE         |  | CUSTOMER                   |  |
|   |  |                        |  | GENERAL   |  | SHEET NUMBER      |  | 2 OF 3                     |  |

CONNECTOR NO. 20048511\*\*

引き出し方向  
PULL OUT  
DIRECTION



SECTION A-A



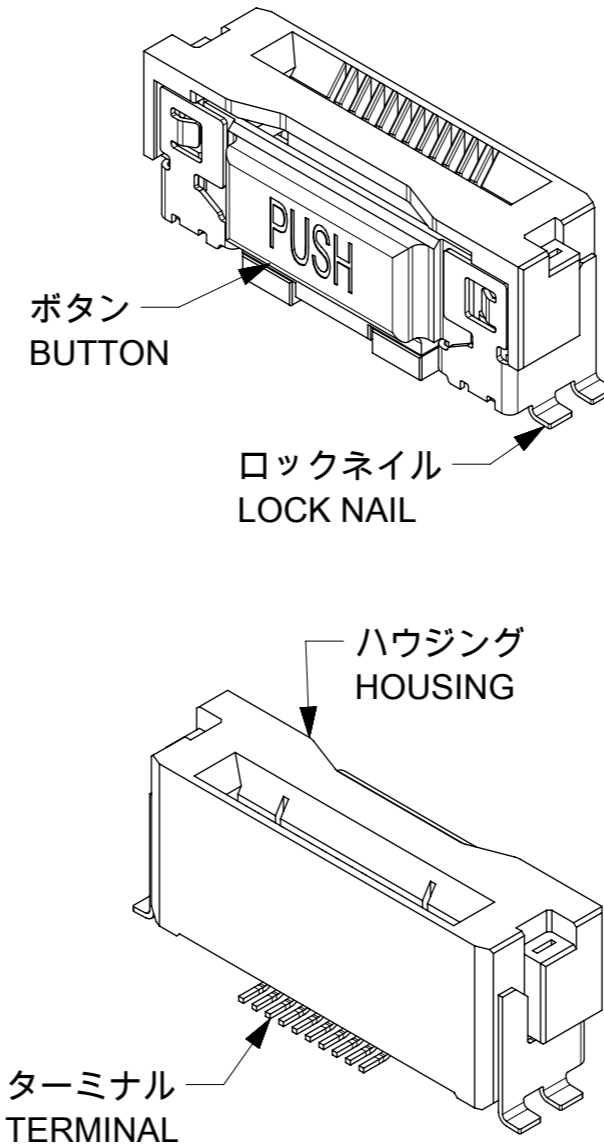
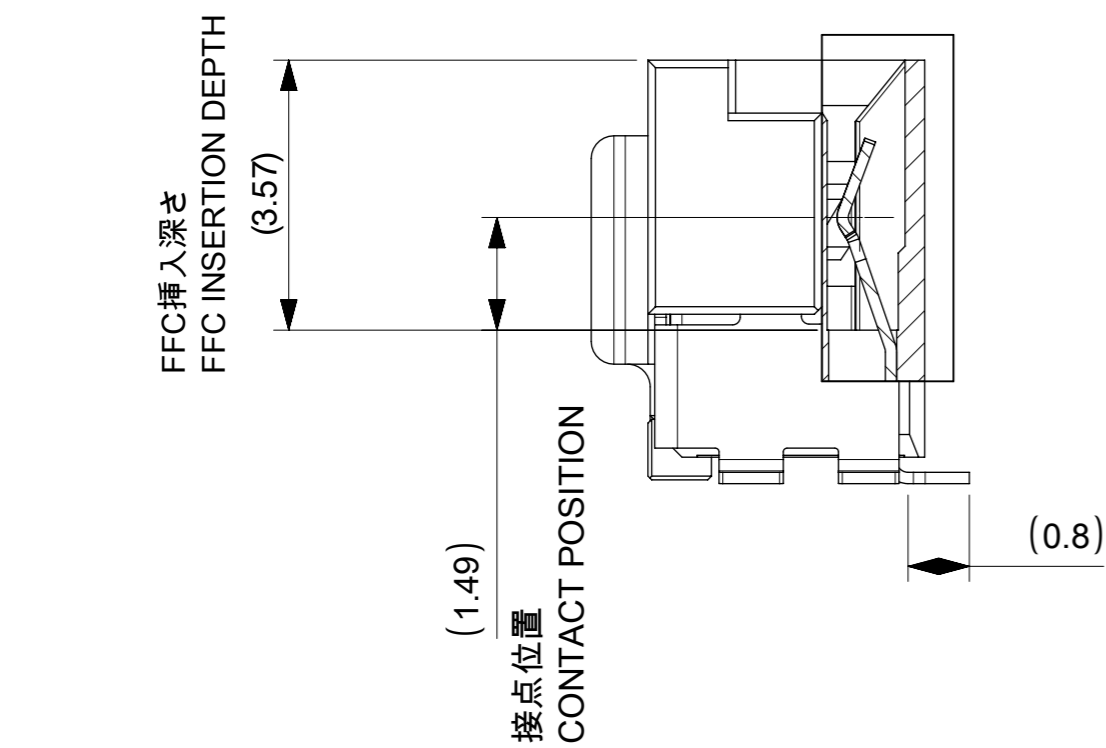
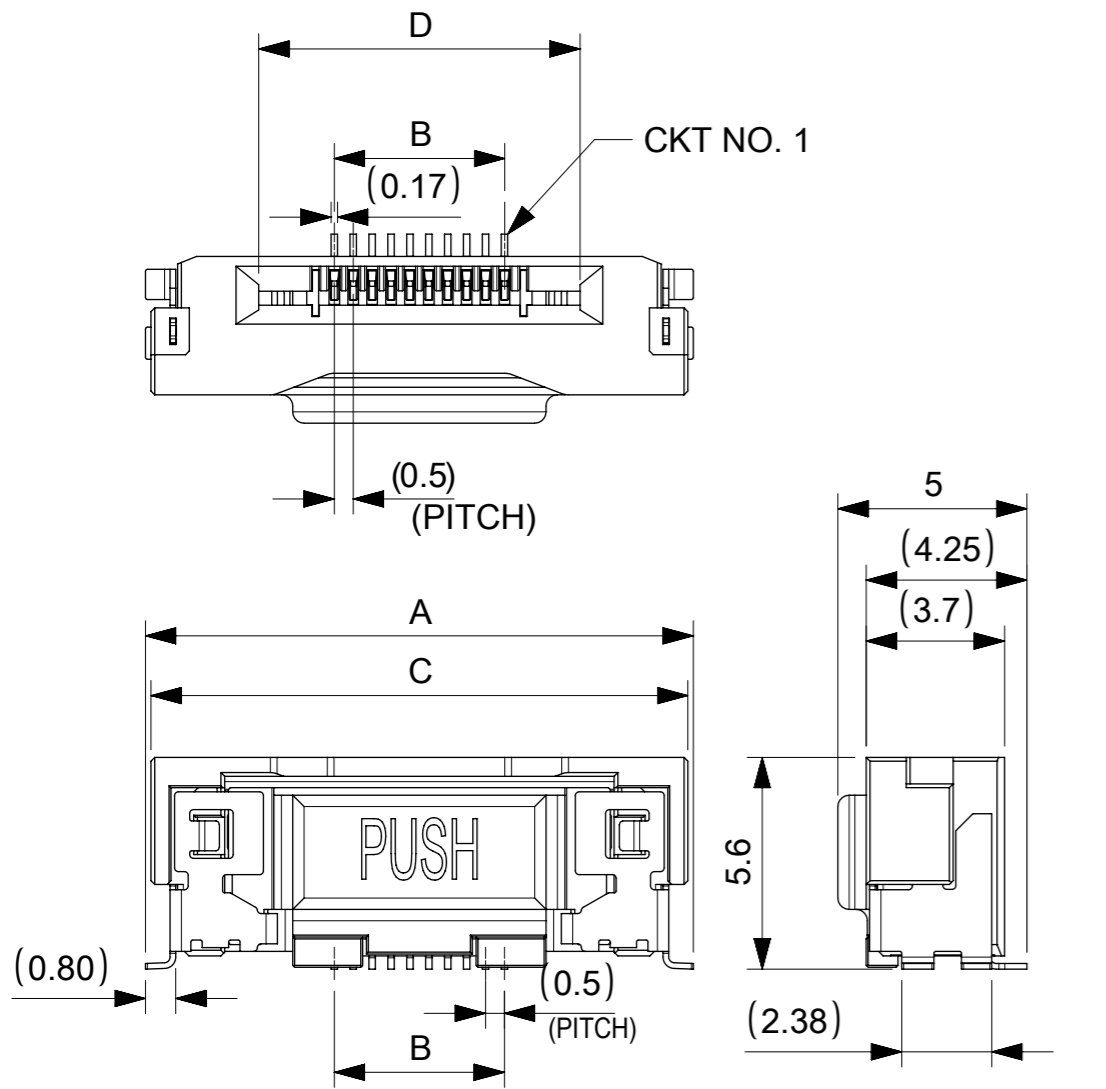
SECTION B-B

CONNECTOR NO. 20048511\*\*

|      |      |    |      |      |      |       |      |                  |     |
|------|------|----|------|------|------|-------|------|------------------|-----|
| 68.4 | 34.2 | 72 | 78.1 | 73.5 | 39.5 | 42.65 | 49.7 | 2004850180       | 80  |
|      |      |    |      |      | 34.5 | 37.65 | 44.7 | 2004850170       | 70  |
| 52.4 | 26.2 | 56 | 61.4 | 75.4 | 29.5 | 32.65 | 39.7 | 2004850160       | 60  |
|      |      |    |      |      | 25   | 28.15 | 35.2 | 2004850151       | 51  |
| 40.4 | 20.2 | 44 | 49.4 | 45.4 | 24.5 | 27.65 | 34.7 | 2004850150       | 50  |
|      |      |    |      |      | 19.5 | 22.65 | 29.7 | 2004850140       | 40  |
|      |      |    |      |      | 17   | 20.15 | 27.2 | 2004850135       | 35  |
| 28.4 | 14.2 | 32 | 37.4 | 33.4 | 14.5 | 17.65 | 24.7 | 2004850130       | 30  |
|      |      |    |      |      | 9.5  | 12.65 | 19.7 | 2004850120       | 20  |
| H    | G    | F  | E    | D    | C    | B     | A    | EMBOSSED PACKAGE | Ckt |
|      |      |    |      |      |      |       |      | オーダー番号 ORDER NO. |     |

THIS DRAWING CONTAINS INFORMATION THAT IS PROPRIETARY TO MOLEX ELECTRONIC TECHNOLOGIES, LLC AND SHOULD NOT BE USED WITHOUT WRITTEN PERMISSION

|  |         |                              |         |                          |                 |
|--|---------|------------------------------|---------|--------------------------|-----------------|
| DIMENSION UNITS                                      | SCALE   | CURRENT REV DESC:            |         | <b>molex</b>             |                 |
| mm   | NTS     |                              |         |                          |                 |
| GENERAL TOLERANCES (UNLESS SPECIFIED)                |         | EC NO: 648126                |         | EMB PKG ONE-TOUCH ST HT  |                 |
| ANGULAR TOL  | ± 1.0 ° | DRWN: TYAMANE 2020/10/15     |         | PRODUCT CUSTOMER DRAWING |                 |
| 4 PLACES   | ± 0.1   | CHK'D: YMATSUMOTO 2020/10/30 |         | DOCUMENT NUMBER          |                 |
| 3 PLACES   | ± 0.1   | APPR: SHOSHIKAWA 2020/11/02  |         | 2004850100               |                 |
| 2 PLACES   | ± 0.1   | INITIAL REVISION:            |         | DOC TYPE                 | DOC PART        |
| 1 PLACE  | ± 0.1   | DRWN: TYAMANE 2018/10/04     |         | PSD                      | 000             |
| 0 PLACES   | ± 0.1   | APPR: SHOSHIKAWA 2020/06/08  |         | REVISION                 | B               |
| DRAFT WHERE APPLICABLE MUST REMAIN WITHIN DIMENSIONS |         | THIRD ANGLE PROJECTION       | DRAWING | SERIES                   | MATERIAL NUMBER |
|  |         |                              | A3-SIZE | 200485                   | CUSTOMER        |
|  |         |                              |         |                          | GENERAL         |
|  |         |                              |         |                          | SHEET NUMBER    |
|  |         |                              |         |                          | 3 OF 3          |

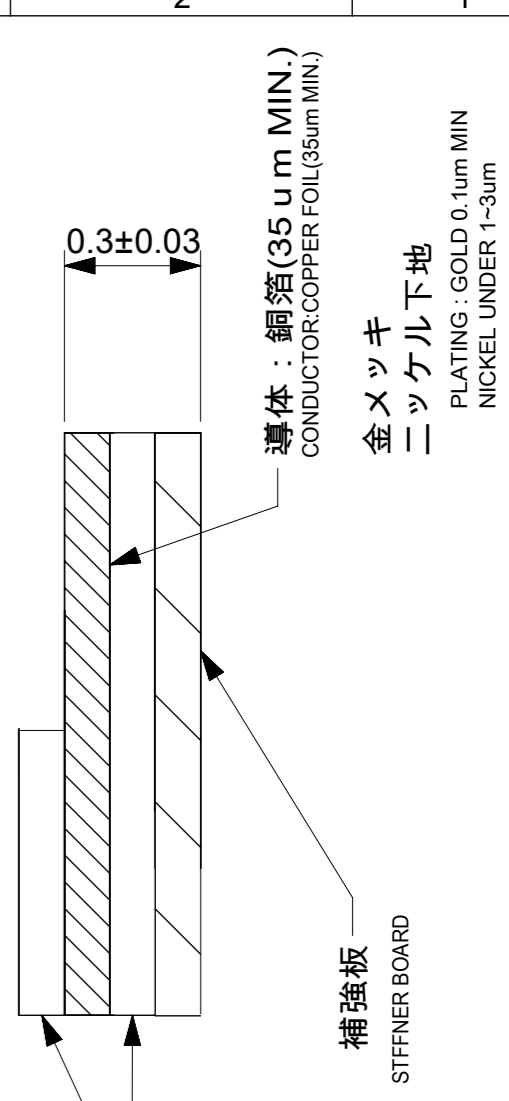
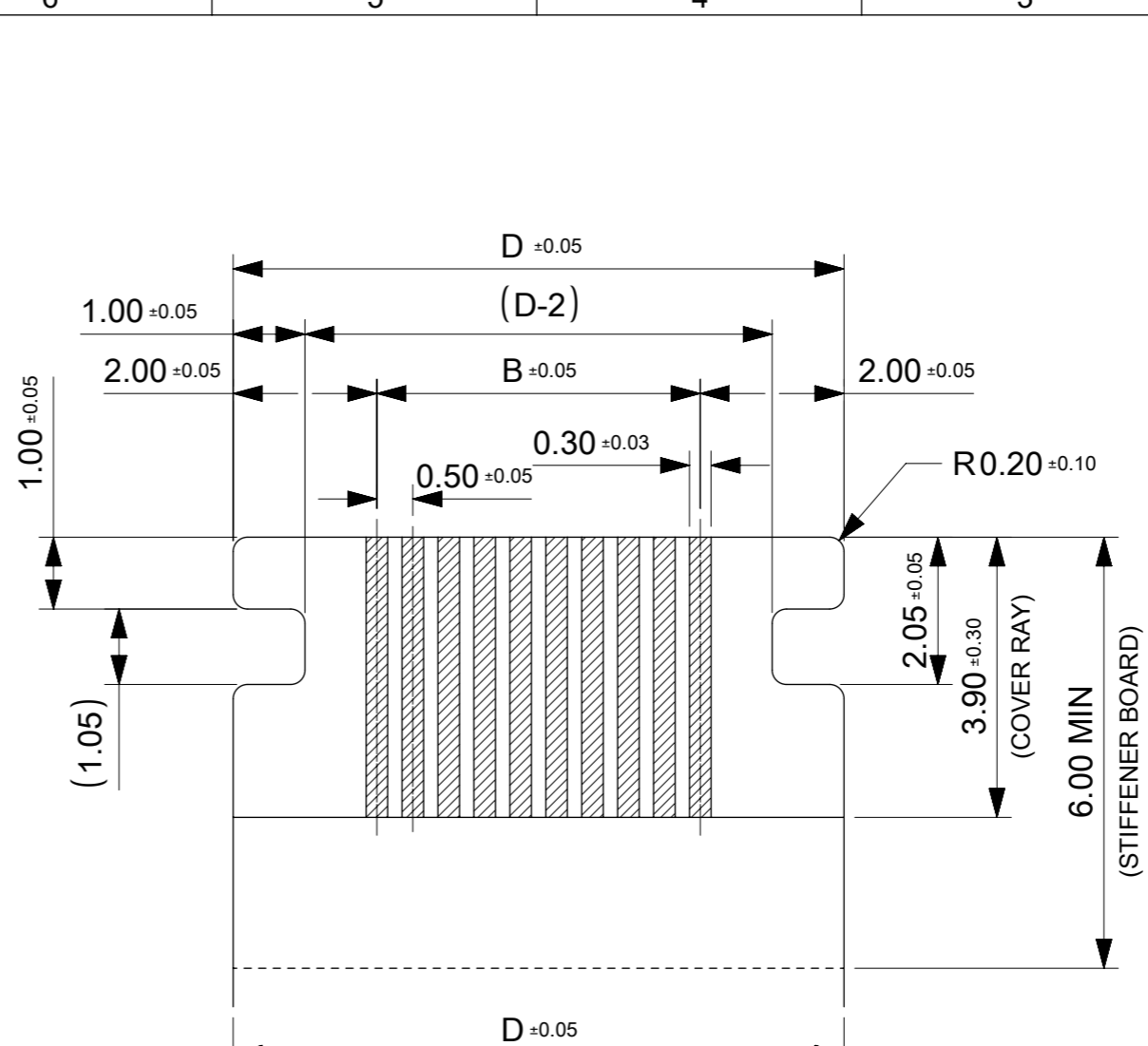
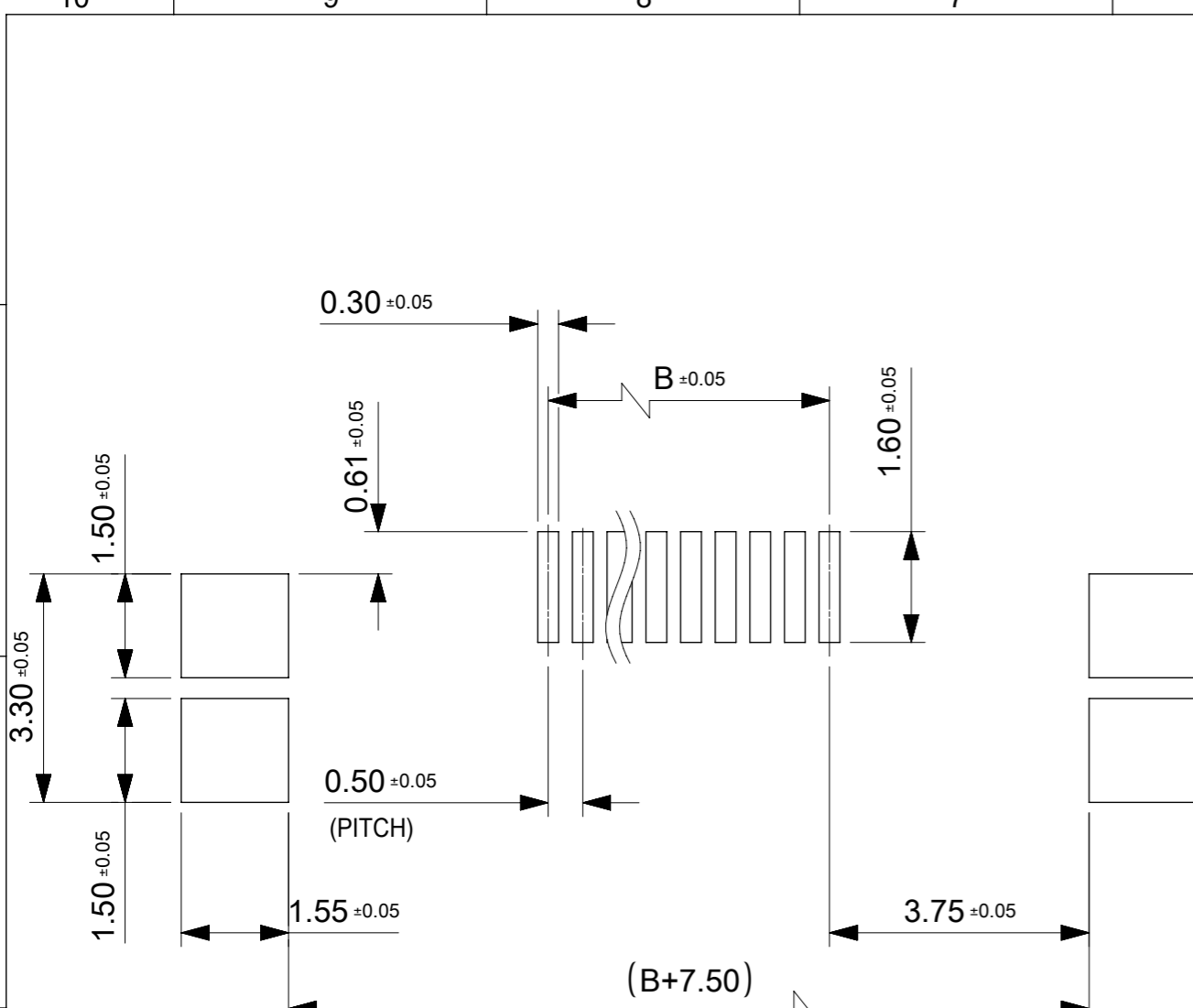


NOTES:

- 1.使用材料 MATERIAL  
 ハウジング：液晶ポリマー，ガラス充填，UL94V-0(黒)  
 HOUSING：LIQUID CRYSTAL POLYMER, GLASS FILLED, UL94V-0(BLACK)  
 ボタン：液晶ポリマー，ガラス充填，UL94V-0(ナチュラル)  
 BUTTON：LIQUID CRYSTAL POLYMER, GLASS FILLED, UL94V-0(NATURAL)  
 ターミナル：銅合金(t=0.15)  
 TERMINAL：COPPER ALLOY  
 ロックネイル：銅合金(t=0.15)  
 LOCK NAIL：COPPER ALLOY
- 2.めっき仕様 PLATING  
 ターミナル TERMINAL  
 接点部：金めっき 0.1μm以上  
 CONTACT AREA：GOLD 0.1 MICROMETER MINIMUM  
 半田付け部：金めっき  
 SOLDER TAIL AREA：GOLD  
 下地めっき：ニッケル 1.0μm以上  
 UNDERPLATE：NICKEL 1.0 MICROMETER MINIMUM  
 ロックネイル LOCK NAIL  
 錫めっき(1.0μm以上)  
 TIN PLATING (1.0 MICROMETER MIN.)
- 3.平坦度は0.1ミリ以下とする。  
 COPLANALITY TO BE 0.1 MAXIMUM.

|                                 |      |      |      |       |                  |         |
|---------------------------------|------|------|------|-------|------------------|---------|
| 1.301                           | 43.5 | 49.2 | 39.5 | 49.49 | 2004850180       | 80      |
| 1.194                           | 38.5 | 44.2 | 34.5 | 44.49 | 2004850170       | 70      |
| 1.053                           | 33.5 | 39.2 | 29.5 | 39.49 | 2004850160       | 60      |
| 0.958                           | 29   | 34.7 | 25   | 34.99 | 2004850151       | 51      |
| 0.942                           | 28.5 | 34.2 | 24.5 | 34.49 | 2004850150       | 50      |
| 0.796                           | 23.5 | 29.2 | 19.5 | 29.49 | 2004850140       | 40      |
| 0.702                           | 21   | 26.7 | 17   | 26.99 | 2004850135       | 35      |
| 0.650                           | 18.5 | 24.2 | 14.5 | 24.49 | 2004850130       | 30      |
| 0.504                           | 13.5 | 19.2 | 9.5  | 19.49 | 2004850120       | 20      |
| 0.358                           | 8.5  | 14.2 | 4.5  | 14.49 | 2004850110       | 10      |
| NET WEIGHT (g)                  | D    | C    | B    | A     | EMBOSSED PACKAGE | CIRCUIT |
| CONNECTOR SERIES NO. 20048511** |      |      |      |       |                  |         |

|   |        |  |         |        |                 |          |  |              |  |
|---|--------|--|---------|--------|-----------------|----------|--|--------------|--|
| THIS DRAWING CONTAINS INFORMATION THAT IS PROPRIETARY TO MOLEX ELECTRONIC TECHNOLOGIES, LLC AND SHOULD NOT BE USED WITHOUT WRITTEN PERMISSION |        |  |         |        |                 |          |  |              |  |
| DIMENSION UNITS   | SCALE  | CURRENT REV DESC:  |         |        |                 |          |  |              |  |
| mm  | 5:1    | <b>molex</b>   |         |        |                 |          |  |              |  |
| GENERAL TOLERANCES (UNLESS SPECIFIED)   |        |  |         |        |                 |          |  |              |  |
| ANGULAR TOL   | ± 1.0° | 0.5FFFC CONN. ST ONE TOUCH ASS'Y HT  |         |        |                 |          |  |              |  |
| 4 PLACES  | ± 0.1  |  |         |        |                 |          |  |              |  |
| 3 PLACES  | ± 0.1  | PRODUCT CUSTOMER DRAWING   |         |        |                 |          |  |              |  |
| 2 PLACES  | ± 0.1  |  |         |        |                 |          |  |              |  |
| 1 PLACE   | ± 0.1  | DOCUMENT NUMBER: 2004851100    DOC TYPE: PSD    DOC PART: 000    REVISION: C |         |        |                 |          |  |              |  |
| 0 PLACES  | ± 0.1  |  |         |        |                 |          |  |              |  |
| DRAFT WHERE APPLICABLE MUST REMAIN WITHIN DIMENSIONS  |        | THIRD ANGLE PROJECTION   | DRAWING | SERIES | MATERIAL NUMBER | CUSTOMER |  | SHEET NUMBER |  |
|   |        |  | A3-SIZE | 200485 | SEE TABLE       | GENERAL  |  | 1 OF 2       |  |



推奨PWB寸法  
 RECOMMENDED PWB DIMENSION  
 推奨メタルマスク厚、開口率 : t=0.12mm, 80%  
 RECOMMENDED METAL MASK THICKNESS, APERTURE RATIO : t=0.12mm, 80%  
 ロックネイル部開口率は100%  
 APERTURE RATIO FOR LOCK NAIL: 100%

推奨FFC寸法  
 RECOMMENDED FFC DIMENSION  
 抜き方向は導体側から補強版側を推奨します  
 RECOMMENDED PUNCHING DIRECTION:  
 FROM CONDUCTOR SIDE TO STIFFENER SIDE

|   |  |       |  |                             |  |         |  |           |  |                                    |  |
|---|--|-------|--|-----------------------------|--|---------|--|-----------|--|------------------------------------|--|
| THIS DRAWING CONTAINS INFORMATION THAT IS PROPRIETARY TO MOLEX ELECTRONIC TECHNOLOGIES, LLC AND SHOULD NOT BE USED WITHOUT WRITTEN PERMISSION |  |       |  |                             |  |         |  |           |  |                                    |  |
| DIMENSION UNITS   |  | SCALE |  | CURRENT REV DESC:           |  |         |  |           |  | <b>molex</b>                       |  |
| mm  |  | 10:1  |  |                             |  |         |  |           |  |                                    |  |
| GENERAL TOLERANCES (UNLESS SPECIFIED)   |  |       |  | EC NO: 674194               |  |         |  |           |  | 0.5FFC CONN. ST ONE TOUCH ASS'Y HT |  |
| ANGULAR TOL ± 1.0°  |  |       |  | DRWN: AHMADI2 2021/08/18    |  |         |  |           |  | PRODUCT CUSTOMER DRAWING           |  |
| 4 PLACES ± 0.1  |  |       |  | CHK'D: TKON 2021/08/19      |  |         |  |           |  | DOCUMENT NUMBER                    |  |
| 3 PLACES ± 0.1  |  |       |  | APPR: SHOSHIKAWA 2021/08/19 |  |         |  |           |  | DOC TYPE                           |  |
| 2 PLACES ± 0.1  |  |       |  | INITIAL REVISION:           |  |         |  |           |  | DOC PART                           |  |
| 1 PLACE ± 0.1   |  |       |  | DRWN: TYAMANE 2018/09/21    |  |         |  |           |  | REVISION                           |  |
| 0 PLACES ± 0.1  |  |       |  | APPR: SHOSHIKAWA 2020/06/08 |  |         |  |           |  | 2004851100                         |  |
| DRAFT WHERE APPLICABLE MUST REMAIN WITHIN DIMENSIONS  |  |       |  | THIRD ANGLE PROJECTION      |  | DRAWING |  | SERIES    |  | MATERIAL NUMBER                    |  |
|   |  |       |  | A3-SIZE                     |  | 200485  |  | CUSTOMER  |  | GENERAL                            |  |
|   |  |       |  |                             |  |         |  | SEE TABLE |  | SHEET NUMBER                       |  |
|   |  |       |  |                             |  |         |  | 2 OF 2    |  |                                    |  |

|                 |    |              |            |          |
|-----------------|----|--------------|------------|----------|
| DOCUMENT STATUS | P1 | RELEASE DATE | 2021/08/19 | 01:59:51 |
|-----------------|----|--------------|------------|----------|