


## Passive module - UM-FLK14/SI/LA/PTS/8IM/PLC - 2306993

Please be informed that the data shown in this PDF Document is generated from our Online Catalog. Please find the complete data in the user's documentation. Our General Terms of Use for Downloads are valid (<http://phoenixcontact.com/download>)



VARIOFACE module, for 8 channels with additional plus and minus terminal blocks. Each channel is secured with a fuse (5 x 20 mm) and comes with a fuse failure indicator. The signal path can be interrupted with a disconnect knife.

### Key Commercial Data

Packing unit	1 pc
GTIN	 4 017918 976743
GTIN	4017918976743

### Technical data

#### Dimensions

Width	54.5 mm
Height	125.5 mm
Depth	69.5 mm

#### Ambient conditions

Ambient temperature (operation)	-20 °C ... 50 °C
Ambient temperature (storage/transport)	-20 °C ... 70 °C
Maximum altitude	≤ 2000 m
Degree of protection	IP00
	≥ IP54 (Installation location)

#### General

Nominal voltage $U_N$	24 V DC
Max. perm. current (per branch)	1 A
Max. permissible current (separate power supply)	2 A
Number of positions	14
Status display	No
Mounting position	any
Assembly instructions	In rows with zero spacing

# Passive module - UM-FLK14/SI/LA/PTS/8IM/PLC - 2306993

## Technical data

### General

Degree of protection	IP00
	≥ IP54 (Installation location)

### Connection data

Connection name	Field level
Connection method	Screw connection
Stripping length	6 mm
Screw thread	M3
Conductor cross section solid	0.14 mm <sup>2</sup> ... 1.5 mm <sup>2</sup>
Conductor cross section flexible	0.14 mm <sup>2</sup> ... 1.5 mm <sup>2</sup>
Conductor cross section AWG	26 ... 16

### Connection data 2

Connection name	Controller level
Connection method	IDC/FLK pin strip
Number of connections	1
Number of positions	14
Pitch	2.54 mm

### Supported controller

Controller	ABB S800 I/O
- suitable I/O card	DI810
	DI818
	DI830
	DI840
	DO810
	DO840

### Standards and Regulations

Designation	Air clearances and creepage distances
Standards/regulations	DIN EN 50178: 1998-04
Rated insulation voltage	50 V
Rated surge voltage	0.5 kV (1.2/50 μs)
Insulation	Functional insulation
Degree of pollution	2
Overvoltage category	II

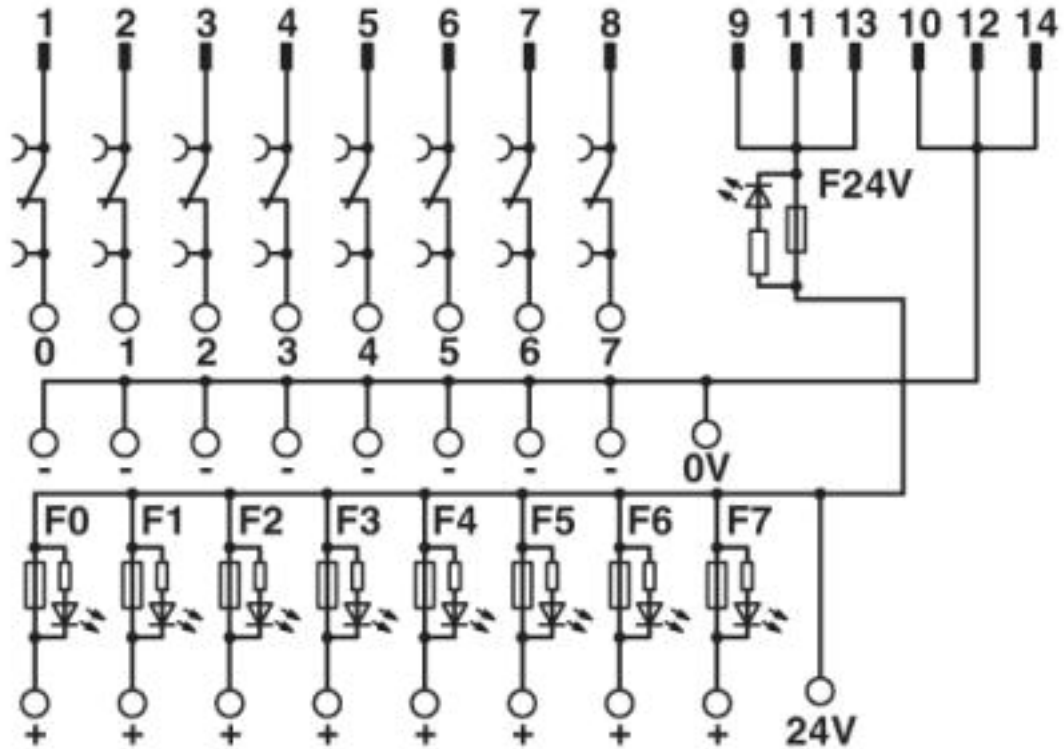
### Environmental Product Compliance

REACH SVHC	Lead 7439-92-1
China RoHS	Environmentally Friendly Use Period = 50
	For details about hazardous substances go to tab "Downloads", Category "Manufacturer's declaration"

## Drawings

# Passive module - UM-FLK14/SI/LA/PTS/8IM/PLC - 2306993

Circuit diagram



Approvals

Approvals

Approvals

EAC

Ex Approvals

Approval details

EAC



RU C-  
DE.A\*30.B.01742

Phoenix Contact 2019 © - all rights reserved  
<http://www.phoenixcontact.com>

PHOENIX CONTACT GmbH & Co. KG  
Flachsmarktstr. 8  
32825 Blomberg  
Germany  
Tel. +49 5235 300  
Fax +49 5235 3 41200  
<http://www.phoenixcontact.com>