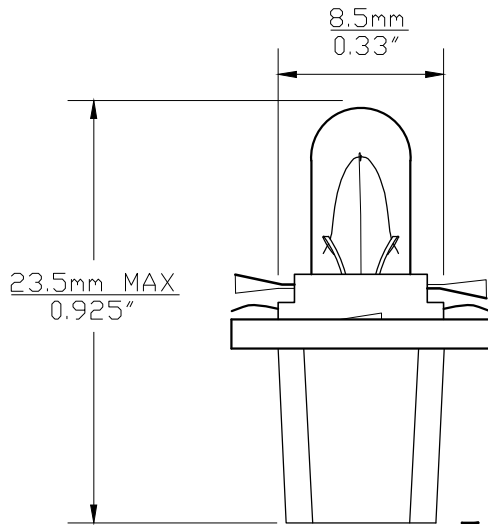




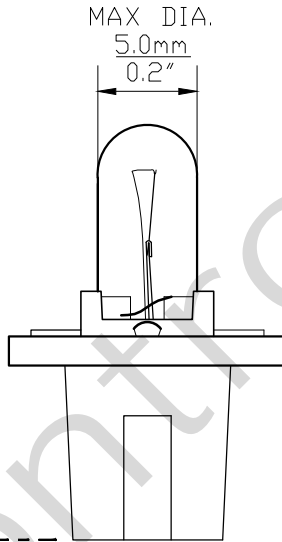
Since 1959

PART NO.	BASE TYPE	DESIGN VOLTS	DESIGN AMPS	MSCD	FILAMENT TYPE	AVERAGE LIFE HOURS	REVISIONS			
							REV #	DESCRIPTION	DATE	APPROVED
2741MF	PC Socket B8.5d	24.0V	0.053±10%	0.59±30%	C-2V	1000	1	ISSUED	01/22/2020	R.M.

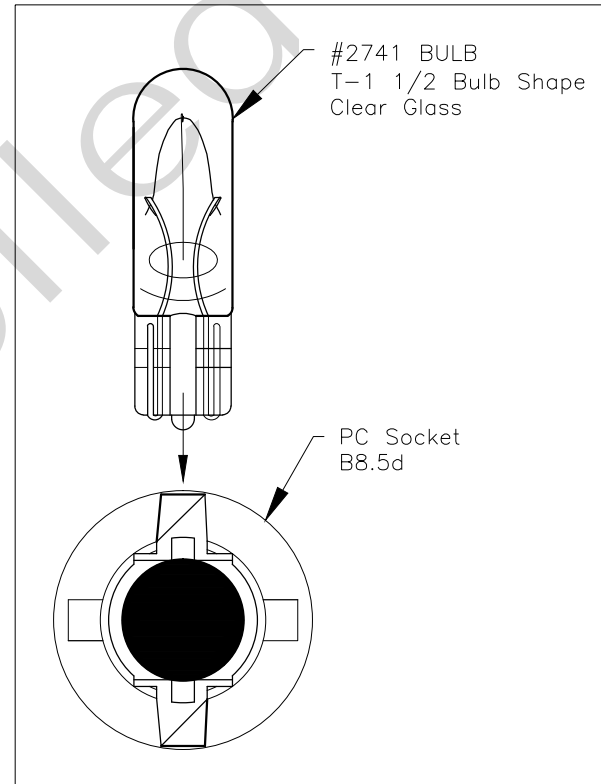
TEST VOLTAGE= 28V



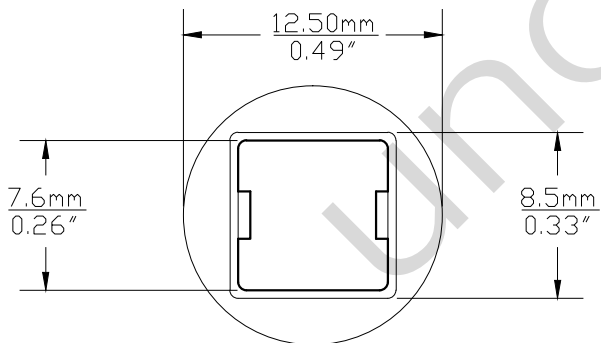
0° VIEW



90° VIEW



2741MF COMPOSITION



BASE BOTTOM VIEW

Note: Made according to SAE specifications

UNLESS OTHERWISE SPECIFIED: DIMENSIONS ARE IN INCHES TOLERANCES		CEC INDUSTRIES LTD			
DECIMALS	ANGULAR	599 BOND STREET		LINCOLNSHIRE, IL 60069	
.XX ± .05	± 0.5°	TITLE LIGHT BULB NO. 2741MF			
.XXX ± .010		SIZE A	FSCM NO.	DWG NO. 2741MF	REV 1
FRACTIONAL	±1/64	SCALE	PLOT SCALE	SHEET 1 OF 1	
DRAWN ROSE MEDINA		DATE 01/22/2020		MATERIAL FILE 2741MF.pdf	
CHECKED		DRAWING NOT TO SCALE			

