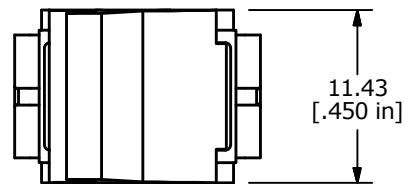


RECOMMENDED P.C. MOUNTING



▲ ACTUATOR COLOR: BLACK

▲ SWITCH FUNCTION		
POS. 1	POS. 2	POS. 3
ON	NONE	(ON)
2-3, 5-6	N/A	2-1, 5-4

(ON) = MOMENTARY

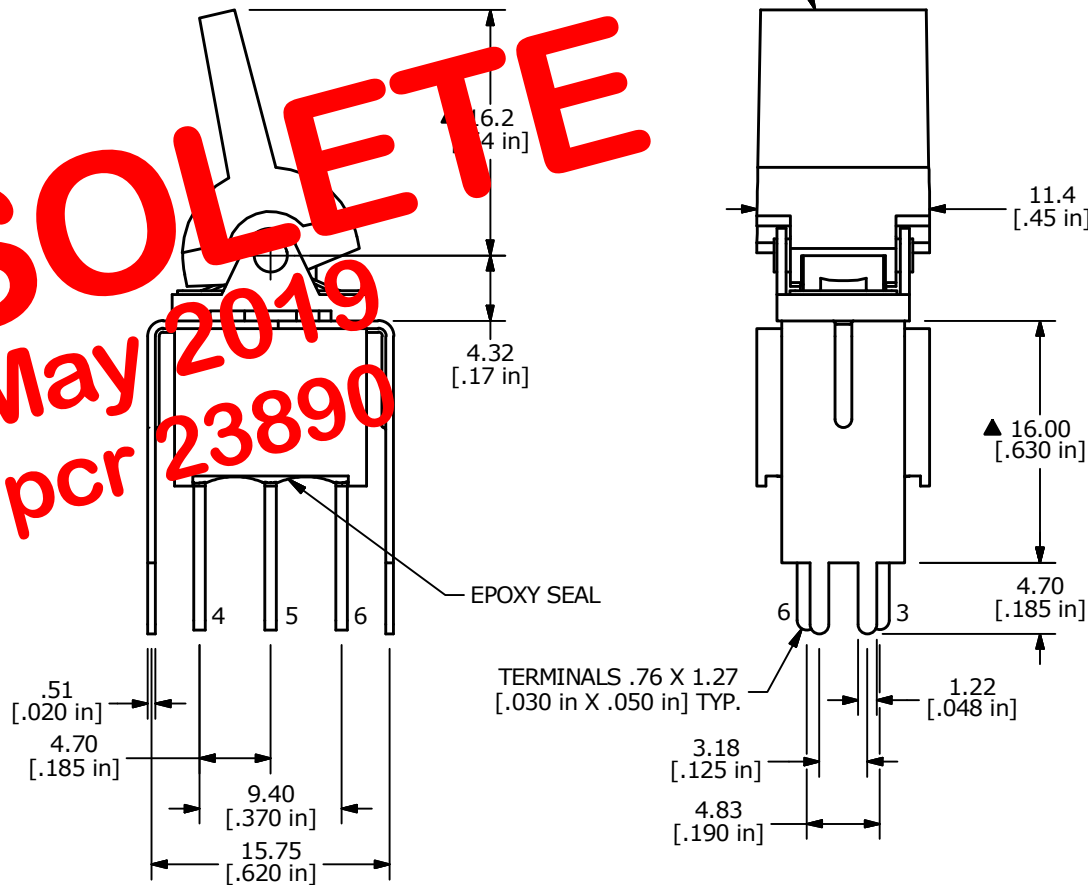
OBSOLETE

May 2019

pcr 23890

NOTE:

1. ALL DIMENSIONS IN MM [INCH]
2. GENERAL TOLERANCE: X.X = ±0.4  
X.XX = ±0.25
3. TERMINAL NUMBERS FOR REF ONLY
- ▲ 4. PLATING MATERIAL: SILVER
5. RATING: 5 AMPS @ 120VAC OR 28VDC UL, CUL  
2 AMPS @ 250VAC UL, CUL
6. ELECTRIC LIFE: 30,000 MAKE-AND-BREAK CYCLES AT FULL LOAD.
7. INSULATION RESISTANCE: 1,000 MEGA-OHM MIN.
8. DIELECTRIC STRENGTH: 1,000 V RMS @ SEA LEVEL
9. OPERATING TEMP.: -30°C to 85°C
10. ▲ DENOTES CRITICAL PARAMETER.



B	22735	UPDATED LAYOUT AND TERMINALS	2/21/17	MJR
A	18488	RELEASED FOR PRODUCTION	4/29/09	BLR
REV	PCR NO	DESCRIPTION	DATE	BY

TITLE 300AWDP2J6BLKVS3QE				
SCALE 2:1	DATE 4/29/2009	DR BLR	DWG T302022	REV B

THE INFORMATION CONTAINED IN THIS DOCUMENT IS PROPRIETARY TO E-SWITCH AND IS NOT TO BE COPIED OR TRANSFERRED