



405QPC250KA3#

MOTOR RUN/AC

Parts are RoHS compliant

ELECTRICAL SPECIFICATIONS

Capacitance: 4 uF

Dissipation Factor: 0.01 Max at 1000 Hz and 25°C

Temperature Coefficient: 400 PPM/°C: -200 PPM/°C, 200 PPM/°C

Ripple Current: at and

ESR: - at - and -

Self Inductance: Nanohenries maximum per mm of body length and lead length

dv/dt: V/μs

Tolerance: -10 % , +10 %

Temperature Range: -25°C to +85°C

Above 85°C the rated (DC/AC) voltage must be derated at per N/A/C

WVDC: 0 Volts DC

SVDC: N/A Volts DC

VAC: 250 VAC at 70°C

200 VAC at 85°C

Terminal to Terminal Dielectric strength: 1.75 times the rated AC voltage when applied between the terminals for 60 seconds

Terminal to case Dielectric strength: 2000 VAC when applied between the terminals and case for 60 seconds

Insulation Resistance (Terminal to Terminal): 1000 MINIMUM after 100 Volts DC is applied for 60 seconds at 20°C

Insulation resistance (Terminal to Case): 2000 Megohms MINIMUM after 100 Volts DC is applied for 60 seconds at 20°C

Reliability: Load Life: 5000 hours at N/A with 0% of rated voltage

Capacitance Change: 0 of initially measured value

D.F. Change: 0 of maximum specified value

I.R. Change: 0 of minimum specified value

PHYSICAL DIMENSIONS

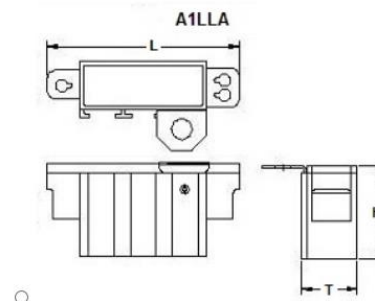
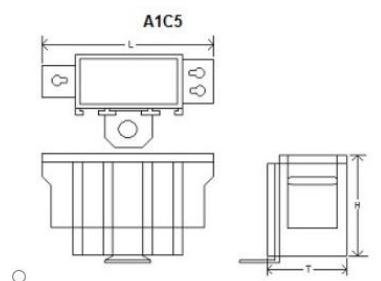
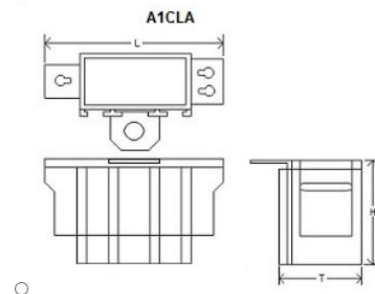
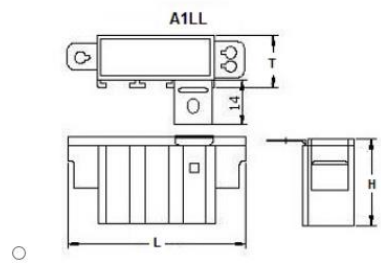
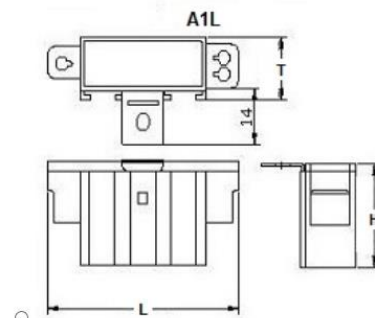
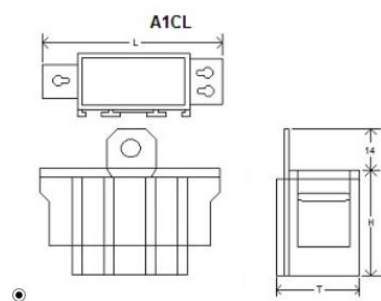
Length (L): 46 mm, 1 mm

Height (H): 24 mm, +/-0.5 mm

Thickness (T): 13 mm, +/-1 mm

Lead Finish: Matte Tin

CHOOSE LEAD STYLE



CHOOSE LEAD STYLE