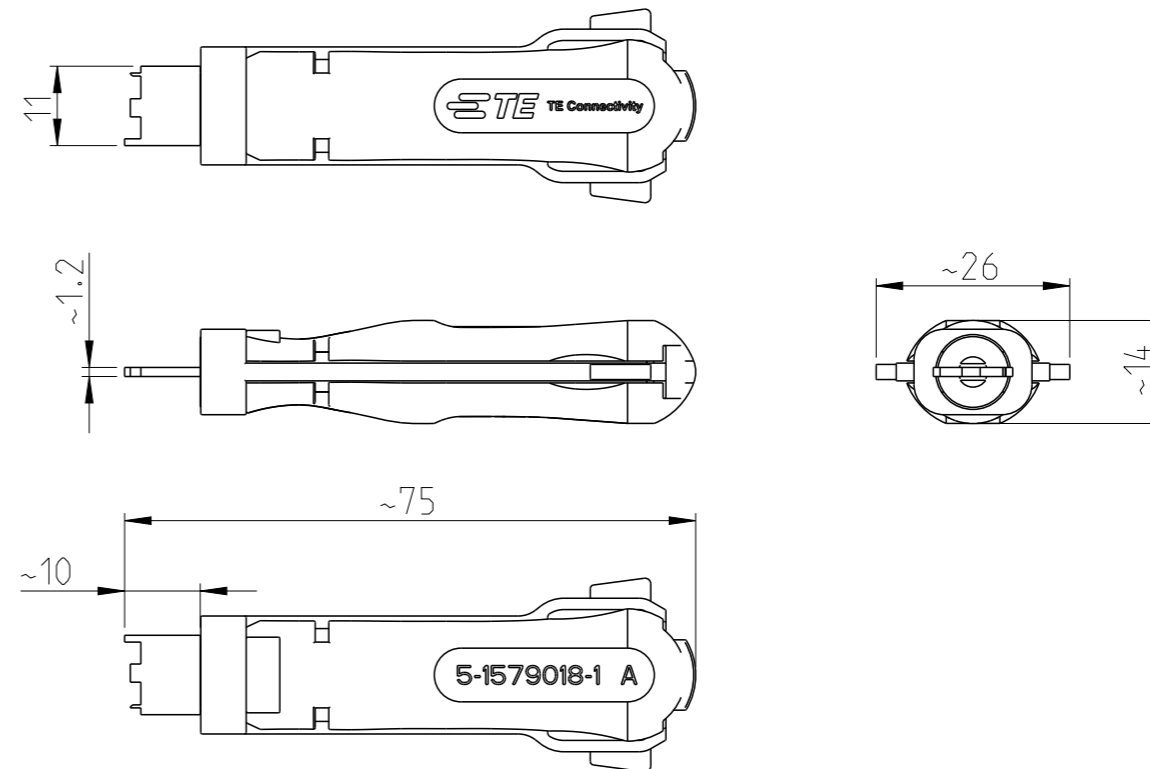
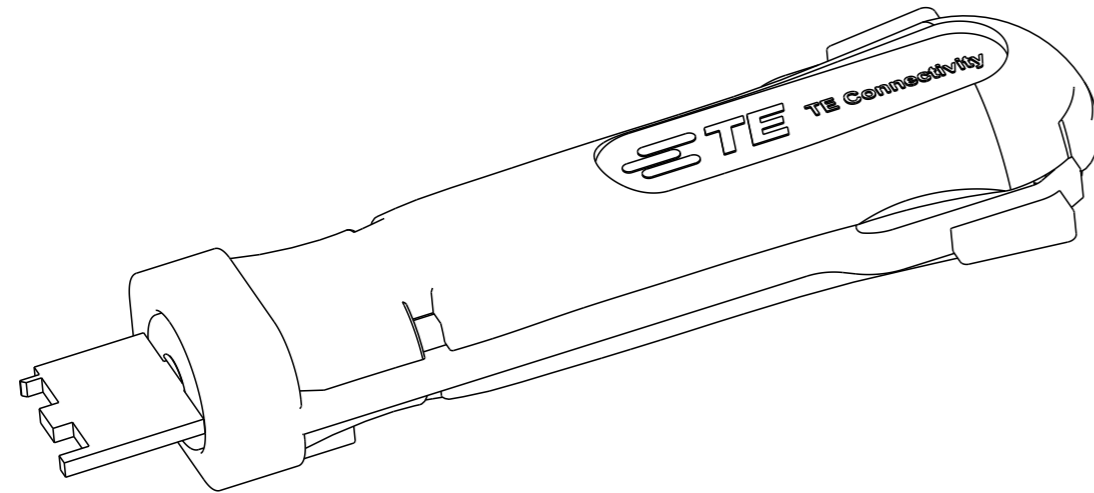


REVISIONS


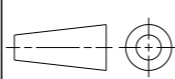
P	LTR	DESCRIPTION	DATE	DWN	APVD
	A	INITIAL REVISION	13FEB2009	LS	SA
	A1	ECR-20-008954	26JUN2020	PNT	GS

2:1



APPLICATION RANGE / Anwendungsbereich:

FOR MQS-CONTACT: 1379419-1, 1379419-2,
 1379418-1, 1379418-2
 FOR SOCKET HOUSING : 1379914

THIS DRAWING IS A CONTROLLED DOCUMENT.		DWN L. SANDHU 13FEB2009	 TE Connectivity		
DIMENSIONS: mm		CHK S. SAMSTAG 23OCT2009			
TOLERANCES UNLESS OTHERWISE SPECIFIED:		APVD S. SAMSTAG 23OCT2009	NAME EXTRACTION TOOL Entriegelungswerkzeug		
		PRODUCT SPEC	RESTRICTED TO		
MATERIAL		APPLICATION SPEC	SIZE A3	CAGE CODE 00779	DRAWING NO G-5-1579018-1
FINISH		WEIGHT 0.011	SCALE 1:1		
-		CUSTOMER DRAWING	SHEET 1 OF 1	REV A1	