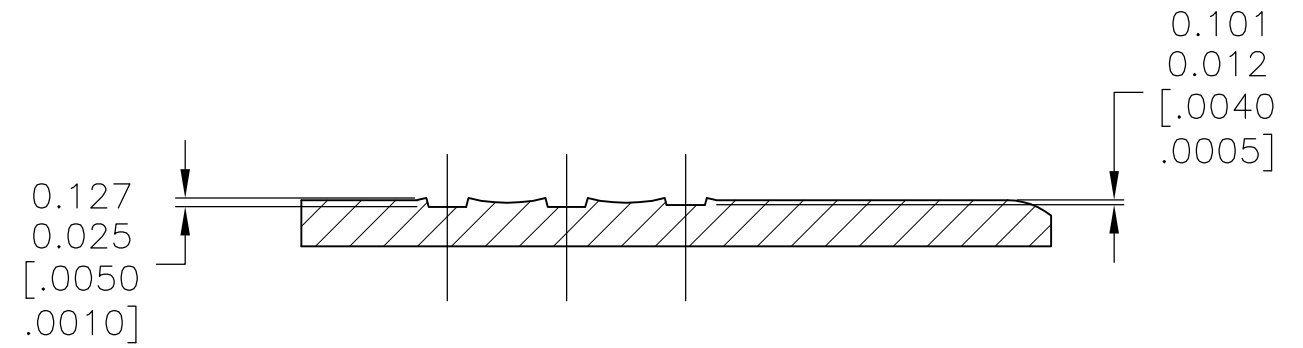
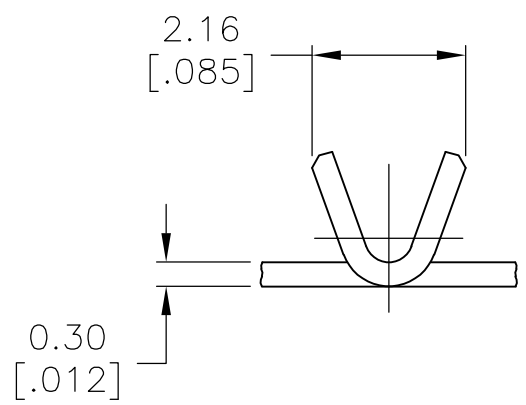
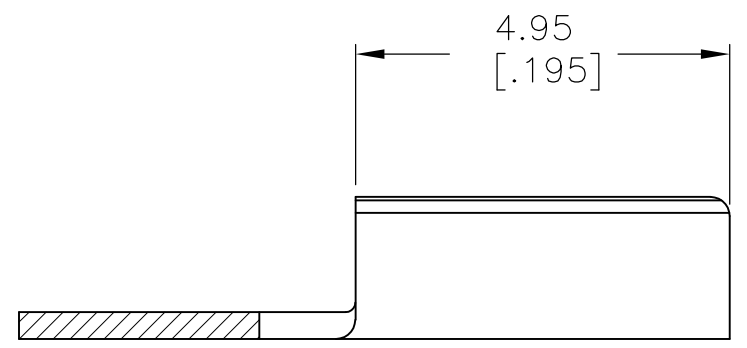
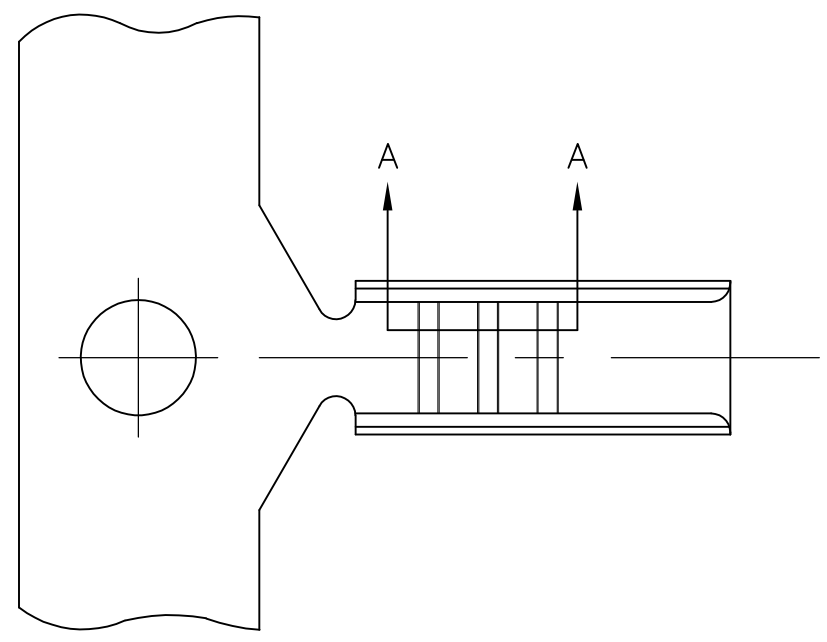


THIS DRAWING IS UNPUBLISHED. RELEASED FOR PUBLICATION
 © COPYRIGHT - TE Connectivity ALL RIGHTS RESERVED.

REVISIONS					
P	LTR	DESCRIPTION	DATE	DWN	APVD
	B6	REVISED PER ECO-17-007246	18MAY2017	RS	KR

- 1 PRODUCT PROVIDED IN STRIP FORM ON REELS; BREAKS MAY BE PRESENT
- △₂ ALTERNATE REELING FOR THRU CRIMP APPLICATION.
- △₃ SUPPLIED ON PLASTIC REEL.
- 4 CRIMP WIDTH: .055 F
 CRIMP HEIGHT: (±.002)=(TOTAL CMA + 2,200)/93,000



200-850 CMA	△ ₃	63431-3
200-850 CMA	△ ₂	63431-2
200-850 CMA		63431-1
WIRE RANGE		PART NO

THIS DRAWING IS A CONTROLLED DOCUMENT.		DWN RAGHAVENDRA 12OCT2006	TE Connectivity				
DIMENSIONS: mm [INCHES]		CHK G.D.PORTA				NAME AMPLIVAR SPLICE MINIATURE	
TOLERANCES UNLESS OTHERWISE SPECIFIED:		APVD G.D.PORTA	PRODUCT SPEC APPLICATION SPEC 114-2016				
0 PLC ± - 1 PLC ± - 2 PLC ± - 3 PLC ± 0.25 [.010] 4 PLC ± - ANGLES ± 1° 0'		PRODUCT SPEC -				SIZE A3	CAGE CODE 00779
MATERIAL BRASS	FINISH TIN	WEIGHT 0.000000	CUSTOMER DRAWING		SCALE 10:1	SHEET 1 OF 1	REV B6