

LAYOUT SHOWN AS EXAMPLE

Keying Shown as example

CHARACTERISTICS

- Standard : Based on MIL-DTL-38999 Series III
- Shell Material : Stainless Steel
- Shell Plating : Nickel
- Insulator : Thermoplastic
- Contacts : Copper Alloy
- Seals & Grommet : Silicon Elastomer
- Contact Plating : Gold over copper Alloy 0.8µm minimum
- Durability : 500 Mating cycles
- Delivered with Souriau contacts and Accessories
- Temperature Range : -65°C to +200°C
- Salt Spray : 500 hours
- Mass : 99.95 g ± 10%

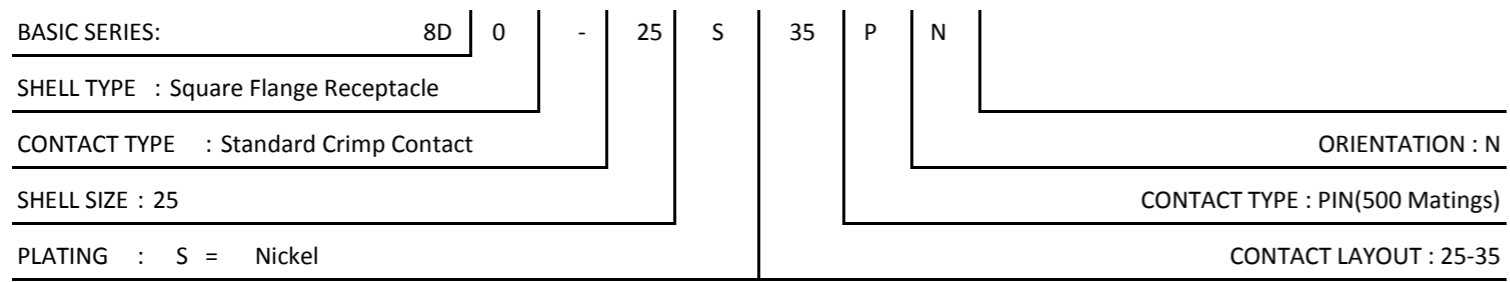
Connector dimension	
Dim	Nominal
P	3.91±0.2
PP	6.15±0.2
R1	38.1
R2	34.93
S	46±0.3
V	20.07+0/-1.25
W	2.1/3.2
Z	31.5 Max
VV THREAD	M37x1-6g

SOURIAU shall not be liable for any non-conformity or damage due to a use of the Products which does not comply with the Specifications issued by either of the Parties or by a third party (professional recommendation, technical notice.)

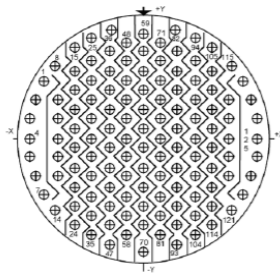
Country	Jurisdiction & Control List
FR	Not Listed

PN: 8D025S35PN

A	17-10-2016	First Release	
ISS	DATE	Latest modification - by	MOD N°
Designed By:		Date:	CUSTOMER DRAWING
TITLE	Stainless Steel Receptacle 8D series		
SCALE	NA	General linear Tolerances: ±--	NPRDS / PROJECT 859
SOURIAU	WWW.SOURIAU.COM		This document is the property of SOURIAU it must not be reproduced or communicated without permission
FORMAT	A3		SOURIAU DRG N° 8D025S35PN-C
			SHEET 1/2



Contact Layout

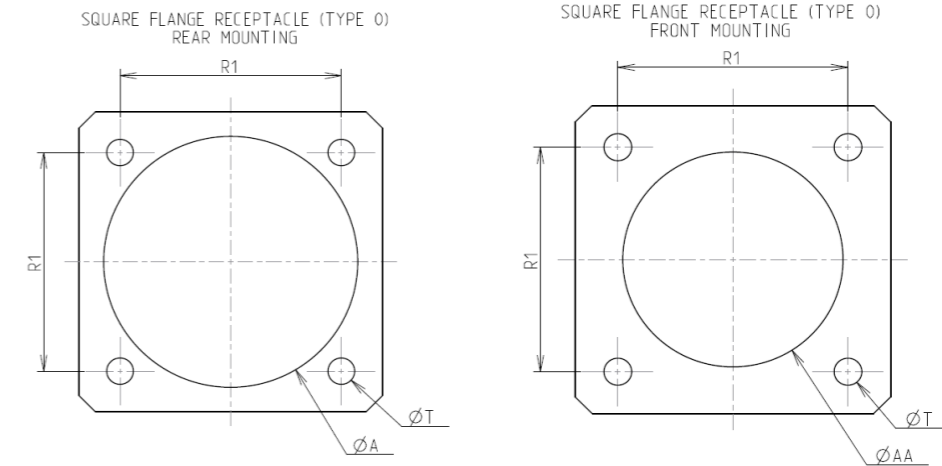


Contacts (Insert arrangement 25-35)					
Contact position ID	Location		Contact position ID	Location	
	X-axis (mm)	Y-axis (mm)		X-axis (mm)	Y-axis (mm)
1	-479 (12.17)	+279 (7.09)	65	+000 (0.00)	-047 (1.19)
2	-520 (13.21)	+190 (4.83)	66	+000 (0.00)	-142 (3.61)
3	-546 (13.87)	+095 (2.41)	67	+000 (0.00)	-237 (6.02)
4	-555 (14.10)	+000 (0.00)	68	+000 (0.00)	-332 (8.43)
5	-546 (13.87)	-095 (2.41)	69	+000 (0.00)	-427 (10.85)
6	-520 (13.21)	-190 (4.83)	70	+000 (0.00)	-555 (14.10)
7	-479 (12.17)	-279 (7.09)	71	+083 (2.11)	+475 (12.07)
8	-424 (10.77)	+357 (9.07)	72	+083 (2.11)	+380 (9.65)
9	-415 (10.54)	+190 (4.83)	73	+083 (2.11)	+285 (7.24)
10	-415 (10.54)	+095 (2.41)	74	+083 (2.11)	+190 (4.83)
11	-415 (10.54)	000 (0.00)	75	+083 (2.11)	+095 (2.41)
12	-415 (10.54)	-095 (2.41)	76	+083 (2.11)	+000 (0.00)
13	-415 (10.54)	-190 (4.83)	77	+083 (2.11)	-095 (2.41)
14	-424 (10.77)	-357 (9.07)	78	+083 (2.11)	-190 (4.83)
15	-332 (8.43)	+444 (11.28)	79	+083 (2.11)	-285 (7.24)
16	-332 (8.43)	+332 (8.43)	80	+083 (2.11)	-380 (9.65)
17	-332 (8.43)	+237 (6.02)	81	+083 (2.11)	-475 (12.07)
18	-332 (8.43)	+142 (3.61)	82	+160 (4.06)	+531 (13.49)
19	-332 (8.43)	+047 (1.19)	83	+166 (4.22)	+427 (10.85)
20	-332 (8.43)	-047 (1.19)	84	+166 (4.22)	+332 (8.43)
21	-332 (8.43)	-142 (3.61)	85	+166 (4.22)	+237 (6.02)
22	-332 (8.43)	-237 (6.02)	86	+166 (4.22)	+142 (3.61)
23	-332 (8.43)	-332 (8.43)	87	+166 (4.22)	+047 (1.19)
24	-332 (8.43)	-427 (10.85)	88	+166 (4.22)	-047 (1.19)
25	-249 (6.32)	+496 (12.60)	89	+166 (4.22)	-142 (3.61)
26	-249 (6.32)	+380 (9.65)	90	+166 (4.22)	-237 (6.02)
27	-249 (6.32)	+285 (7.24)	91	+166 (4.22)	-332 (8.43)
28	-249 (6.32)	+190 (4.83)	92	+166 (4.22)	-427 (10.85)
29	-249 (6.32)	+095 (2.41)	93	+166 (4.22)	-522 (13.26)
30	-249 (6.32)	+000 (0.00)	94	+249 (6.32)	+496 (12.60)
31	-249 (6.32)	-095 (2.41)	95	+249 (6.32)	+380 (9.65)
32	-249 (6.32)	-190 (4.83)	96	+249 (6.32)	+285 (7.24)
33	-249 (6.32)	-285 (7.24)	97	+249 (6.32)	+190 (4.83)
34	-249 (6.32)	-380 (9.65)	98	+249 (6.32)	+095 (2.41)
35	-249 (6.32)	-475 (12.07)	99	+249 (6.32)	+000 (0.00)
36	-160 (4.06)	+531 (13.49)	100	+249 (6.32)	-095 (2.41)
37	-166 (4.22)	+427 (10.85)	101	+249 (6.32)	-190 (4.83)
38	-166 (4.22)	+332 (8.43)	102	+249 (6.32)	-285 (7.24)
39	-166 (4.22)	+237 (6.02)	103	+249 (6.32)	-380 (9.65)
40	-166 (4.22)	+142 (3.61)	104	+249 (6.32)	-475 (12.07)
41	-166 (4.22)	+047 (1.19)	105	+332 (8.43)	+444 (11.28)
42	-166 (4.22)	-047 (1.19)	106	+332 (8.43)	+332 (8.43)
43	-166 (4.22)	-142 (3.61)	107	+332 (8.43)	+237 (6.02)
44	-166 (4.22)	-237 (6.02)	108	+332 (8.43)	+142 (3.61)
45	-166 (4.22)	-332 (8.43)	109	+332 (8.43)	+047 (1.19)
46	-166 (4.22)	-427 (10.85)	110	+332 (8.43)	-047 (1.19)
47	-166 (4.22)	-522 (13.26)	111	+332 (8.43)	-142 (3.61)
48	-083 (2.11)	+475 (12.07)	112	+332 (8.43)	-237 (6.02)
49	-083 (2.11)	+380 (9.65)	113	+332 (8.43)	-332 (8.43)
50	-083 (2.11)	+285 (7.24)	114	+332 (8.43)	-427 (10.85)
51	-083 (2.11)	+190 (4.83)	115	+424 (10.77)	+357 (9.07)
52	-083 (2.11)	+095 (2.41)	116	+415 (10.54)	+190 (4.83)
53	-083 (2.11)	+000 (0.00)	117	+415 (10.54)	+095 (2.41)
54	-083 (2.11)	-095 (2.41)	118	+415 (10.54)	+000 (0.00)
55	-083 (2.11)	-190 (4.83)	119	+415 (10.54)	-095 (2.41)
56	-083 (2.11)	-285 (7.24)	120	+415 (10.54)	-190 (4.83)
57	-083 (2.11)	-380 (9.65)	121	+424 (10.77)	-357 (9.07)
58	-083 (2.11)	-475 (12.07)	122	+479 (12.17)	+279 (7.09)
59	+000 (0.00)	+522 (13.26)	123	+520 (13.21)	+190 (4.83)
60	+000 (0.00)	+427 (10.85)	124	+546 (13.87)	+095 (2.41)
61	+000 (0.00)	+332 (8.43)	125	+555 (14.10)	+000 (0.00)
62	+000 (0.00)	+237 (6.02)	126	+546 (13.87)	-095 (2.41)
63	+000 (0.00)	+142 (3.61)	127	+520 (13.21)	-190 (4.83)
64	+000 (0.00)	+047 (1.19)	128	+479 (12.17)	-279 (7.09)

(Applicable to MIL-DTL-38999 only)

Shell size	Arrangement no.	Number of contacts	Size contacts	Service rating	Contact location	Supersedes
25	-35	128	22D	M	All	MS27533-35

Panel Cutout



Dim	Nominal
ØA	42.47 min
ØAA	37.69 min
R1	38.1
ØT	3.81 ±0.13

SOURIAU shall not be liable for any non-conformity or damage due to a use of the Products which does not comply with the Specifications issued by either of the Parties or by a third party (professional recommendation, technical notice.)

Country	Jurisdiction & Control List
FR	Not Listed

PN: 8D025S35PN

A	17-10-2016	First Release	
ISS	DATE	Latest modification - by	MOD N°
Designed By:		Date:	CUSTOMER DRAWING
TITLE		Stainless Steel Receptacle 8D series	
SCALE	NA	General linear Tolerances: ±--	NPRDS / PROJECT 859
SOURIAU		WWW.SOURIAU.COM	
FORMAT		SOURIAU DRG N° 8D025S35PN-C	
		This document is the property of SOURIAU it must not be reproduced or communicated without permission	
		SHEET 2/2	