

# CKG45NX5R1H106M500JH

TDK item description : CKG45NX5R1H106MT\*\*\*

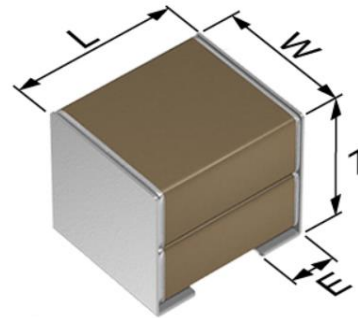


## Application & Main Feature

Commercial grade (MEGACAP)

## Series

CKG45N(4532) [EIA 1812]



## Dimensions

L 5.00±0.50 mm  
W 3.50±0.50 mm  
T 5.00±0.50 mm  
E 1.10±0.30 mm

## Temperature Characteristic

X5R (-55 to +85 degC, ±15%)

## Rated Voltage

1H (50Vdc)

## Capacitance

10µF

## Capacitance Tolerance

M (±20%)

## DF

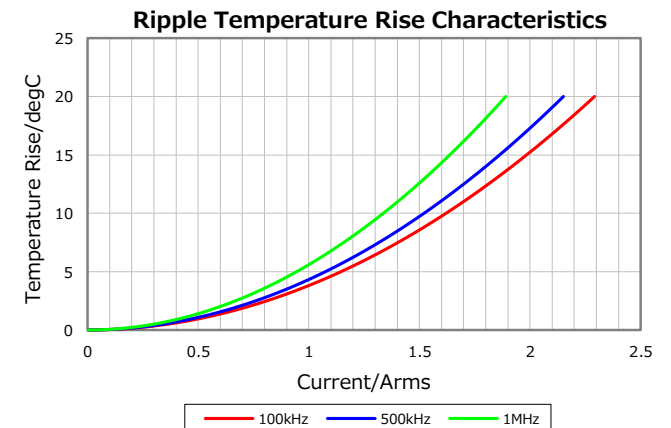
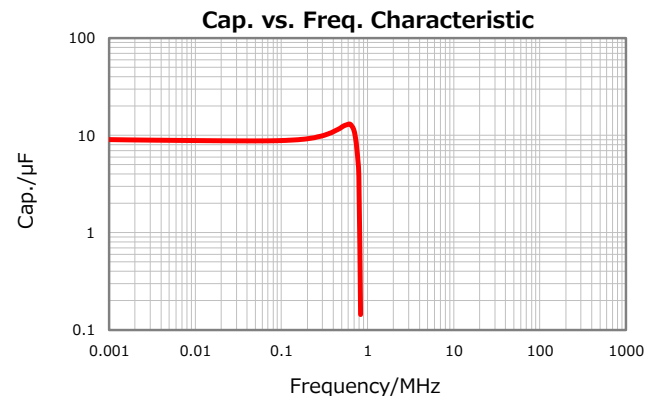
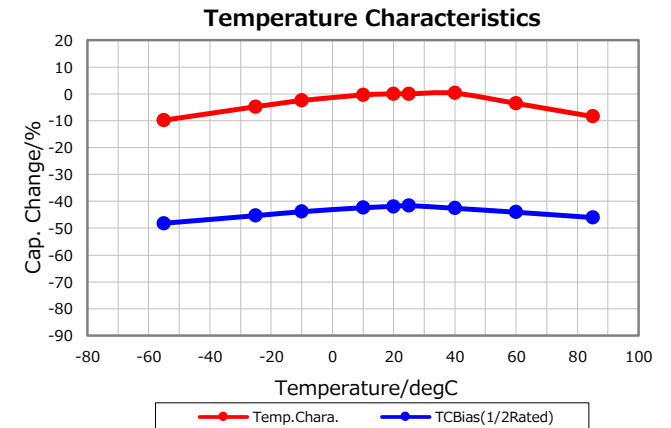
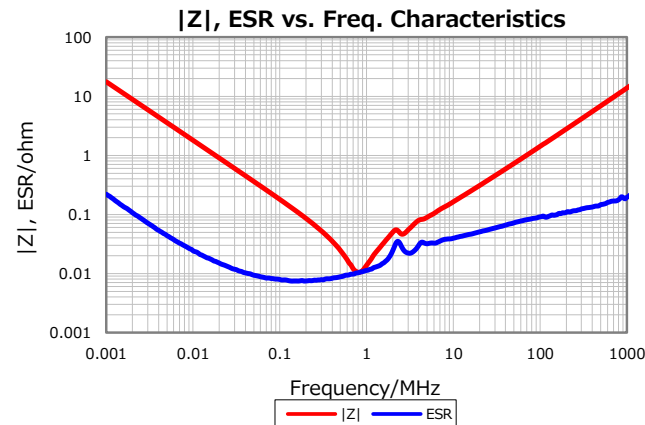
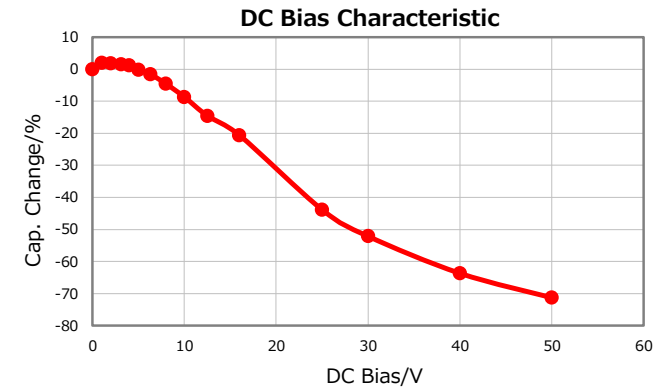
5 % max.

## Insulation Resistance

50 Mohm min.

## AEC-Q200

Not Applicable



Characterization Sheet ( Multilayer Ceramic Chip Capacitors )



⚠ All specifications are subject to change without notice.

April 11, 2022