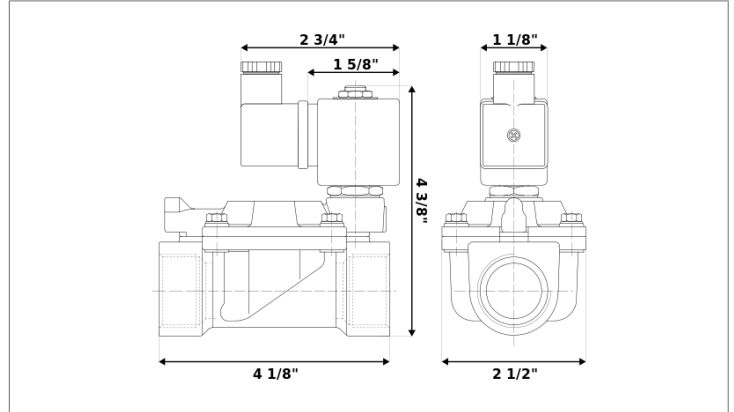


DKSV234




Normally closed, pilot operated, 2-way solenoid valve with brass body and 1" connections



Valve	
Pipe size:	1" NPT
Operating pressure:	3–230 psi
Flow coefficient:	13 Cv
Media temperature:	15–195 °F
Ambient temperature:	-5–140 °F
Suggested usage:	Air, inert gas, water
Operation:	2-way, normally closed solenoid valve
Mechanism:	Pilot operated
Manual override:	No
Pipe gender:	Female
Orifice size:	1"
Design pressure:	330 psi
Media viscosity:	12 cSt

Materials	
Body:	Brass
Seal:	Buna-N rubber (NBR)
Orifice:	Brass
Core tube:	Stainless steel 300
Fixed core:	Stainless steel 400
Plunger:	Stainless steel 400
Spring:	Stainless steel 300
Shading ring:	Copper

Electrical	
Power:	24 V ac
Connection:	Cable gland (PG9)
Holding:	17 VA
Inrush:	25 VA
Voltage tolerances:	+10% -15%
Coil inner diameter:	1/2"
Coil molding:	Polyethylene (PET)
Coil rating:	-5–355 °F (Class H)
Duty cycle:	Continuous, 100% ED
Enclosure:	NEMA 4, IP65

Spare parts		
CORE TUBE	REPAIR KIT	COIL/CONNECTOR
AT-A001	RK-W002	C-B39
		
<ul style="list-style-type: none"> • Core tube • Plunger 	<ul style="list-style-type: none"> • Diaphragm • O-rings (2) • Plunger 	<ul style="list-style-type: none"> • 24 V ac electrical coil • Cable gland connector