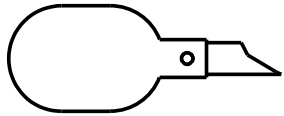
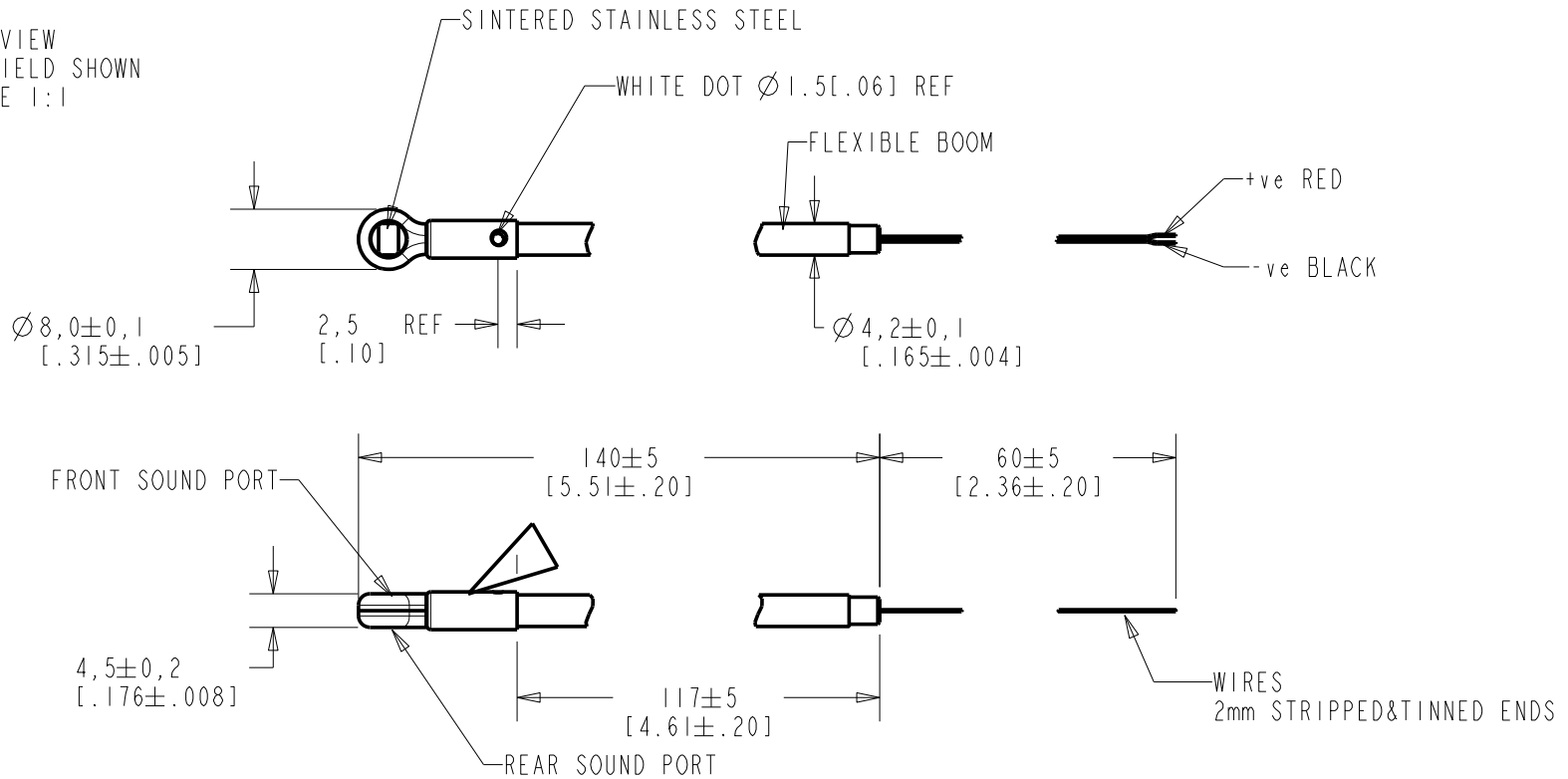


FB-DW-30293-000
SHT 1.1

THE FRONT SOUND PORT IS ADJACENT TO THE MODEL NUMBER IDENTIFICATION.



TOP VIEW
W/WINDSHIELD SHOWN
SCALE 1:1



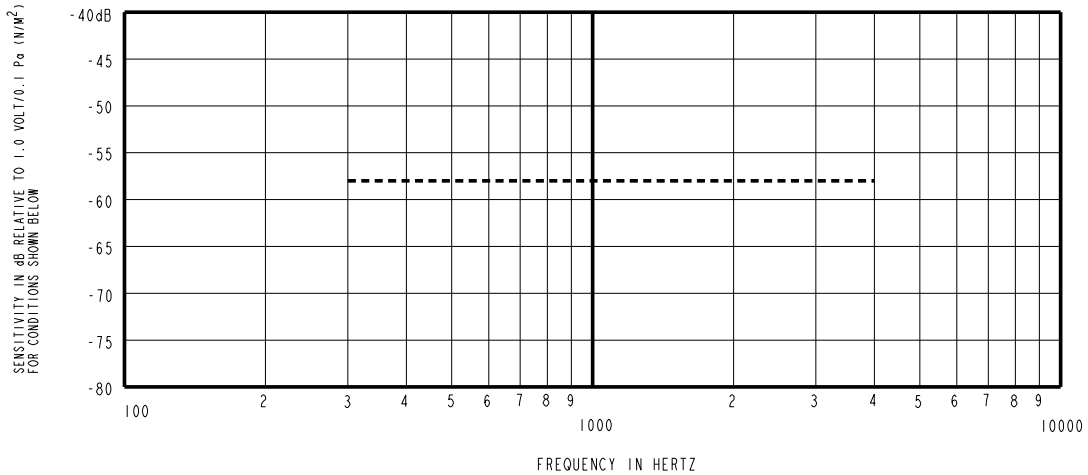
WIRE COLOR		WEIGHT GRAMS
+ve	-ve	
RED	BLACK	13.1

DIMENSIONS IN MILLIMETERS [INCHES]

Revision	C.O. #	Implementation Date	RELEASE LEVEL	REVISION
B	C10107745	8-4-08	Active	B
A	C10107109	3-17-08		

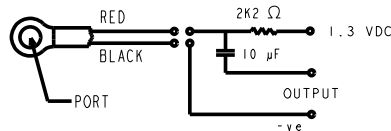
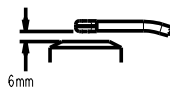
SCALE: 1:1	DR. BY TT	DATE 3-4-08
DO NOT SCALE DRAWING	CK. BY GJP	DATE 3-27-08
TITLE: BOOM MICROPHONE FB-DW-30293-000	APP. BY GJP	DATE 3-27-08
OUTLINE DRAWING	SHT 1.1	

KNOWLES ELECTRONICS
ITASCA, ILLINOIS U.S.A.



NOTES:

- MICROPHONE TO BE FUNCTIONAL WITH 10 VDC SUPPLY.
- SENSITIVITY VALUES INDICATED ON THIS SPECIFICATION ARE VALID AT 50% HUMIDITY.
- | SENSITIVITY | | | | DEVICE CONFORMITY RANGE OF DEVIATION FROM 1KHZ | |
|-------------|-------|-------|-------|--|------|
| FREQUENCY | MIN | NOM | MAX | | |
| 300 | --- | -58.0 | --- | -4.0 | +4.0 |
| 1000 | -62.0 | -58.0 | -54.0 | -0.0 | +0.0 |
| 4000 | --- | -58.0 | --- | -4.0 | +4.0 |
- TEST CONDITIONS:
HEAD OF BOOM EXPOSED TO 74 dB SPL SWEPT SOUND FIELD AT 6mm FROM VOICE APERTURE.
ARTIFICIAL VOICE: B & K 4227 MOUTH SIMULATOR.
- FOR MICROPHONE CAPSULE SPEC. SEE NR-25994-D63 SHEET 2.1



LEAD IDENTIFICATION & TEST CIRCUIT

Revision	C.O. #	Implementation Date	RELEASE LEVEL	REVISION
B	C10107745	8-4-08	Active	B
A	C10107109	3-17-08		

KNOWLES ELECTRONICS
ITASCA, ILLINOIS U.S.A.

WHEN TEST LIMITS ARE USED TO ESTABLISH INCOMING INSPECTION ACCEPTANCE/REJECTION CRITERIA, CORRELATION OF TEST EQUIPMENT WITH KNOWLES IS ALSO REQUIRED FOR ELIMINATION OF EQUIPMENT AND TEST METHOD VARIATION

TITLE: **BOOM MICROPHONE** **FB-DW-30293-000**
PERFORMANCE SPECIFICATION **SHT 2.1**

DR. BY	DATE
TT	3-4-08
CK. BY	DATE
GJP	3-27-08
APP. BY	DATE
GJP	3-27-08