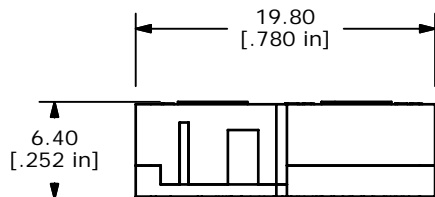
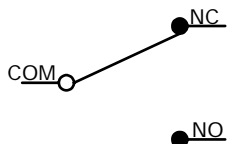


ISOMETRIC

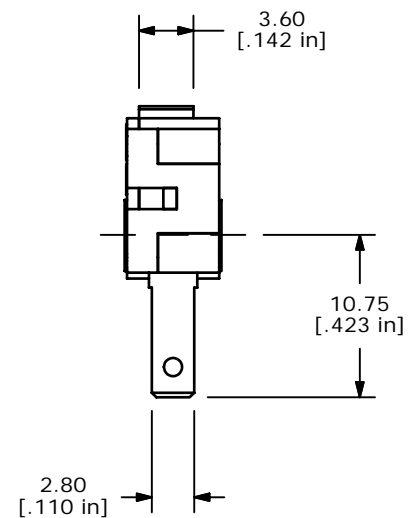
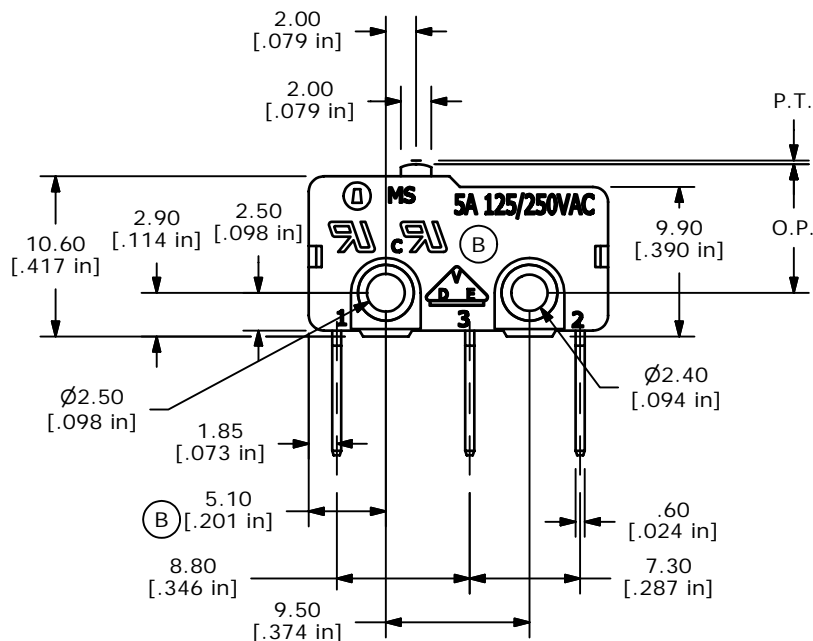


O.P. (MM)	P.T. (MM)
8.5 ±0.3	1.1 MAX

O.P. = OPERATING POINT
P.T. = PRE-TRAVEL



CIRCUIT: SPDT



NOTES:

- ALL DIMENSIONS IN MM [INCH]
- GENERAL TOLERANCE: X.X=±0.4
X.XX=±0.25
- RATING: 5A @125/250VAC UL, CUL, VDE APPROVED
- ▲ OPERATING FORCE: 060±25 GRAMS
- OPERATING TEMP: -25°C TO 85°C
- ELECTRICAL LIFE: 50,000 CYCLES MIN. (B)
- MECHANICAL LIFE: 1,000,000 CYCLES TYP. (B)
- INSULATION RESISTANCE: 100 MEGA-OHMS
- DIELECTRIC STRENGTH: 1000VAC 1 MINUTE (INITIAL VALUE)
- CONTACT RESISTANCE: 100 MILLI-OHMS MAX.
- 2002/95/EC (ROHS) COMPLIANT.
- ▲ DENOTES CRITICAL PARAMETER.



REV	PCR NO	DESCRIPTION	DATE	BY
B	15665	CHANGES NOTED	1/5/06	PH
A	15496	RELEASED FOR PRODUCTION	11/4/05	PH

TITLE MS0850500F060C1A				
SCALE 2:1	DATE 11/4/2005	DR PH	DWG Q970045	REV B

THE INFORMATION CONTAINED IN THIS DOCUMENT IS PROPRIETARY TO E-SWITCH AND IS NOT TO BE COPIED OR TRANSFERRED