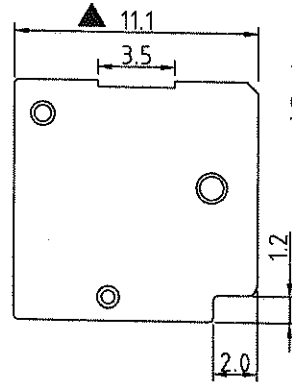
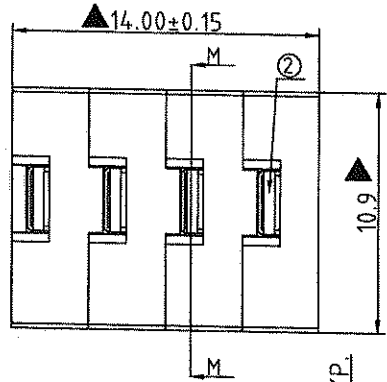
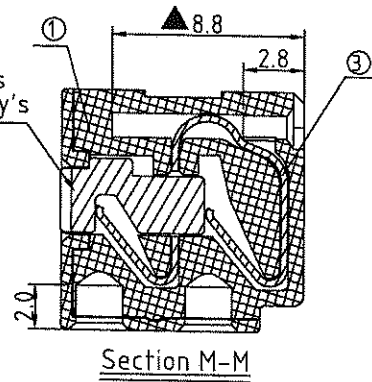


REV	SIGN	DATE	DESCRIPTION	APPROVER
B		2017.09.28	The first release	Zhuhua
RoHs Compliant				
THIS IS CAD DRAWING, DO NOT REVISE MANUALLY!!!				



The color of lever is consistent with body's



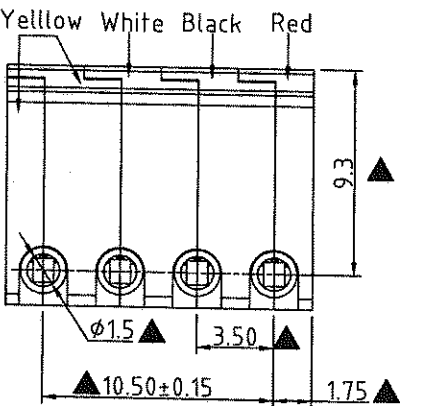
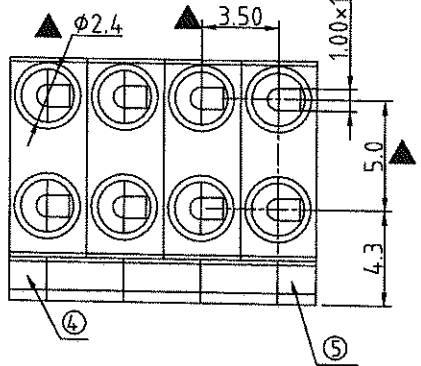
**Material**

- Item ① Insulating body(middle): Thermoplastic ( UL94V-0 )
- Item ② Insulating lever: Thermoplastic ( UL94V-0 )
- Item ③ Spring clamp: Phosphor Bronze , Tin Plated
- Item ④ Insulating cover: Thermoplastic ( UL94V-0 )
- Item ⑤ Insulating body(side): Thermoplastic ( UL94V-0 )

**Electrical**

cULus

- Voltage rating: 300V
- Current rating: 2A
- Wire range : 2×AWG 20~26 (Solid wire)
- Wire strip length: 5~6mm
- Withstanding Voltage: 1.6KV
- Operating temperature: -40°C to +115°C
- Safety Approval: us
- Critical dimension: ▲



code of color:

Yellow	White	Black	Red
RAL1018/A	RAL1102	RAL9005	RAL3001/D

<b>Amphenol ANYTEK</b>		<b>CUSTOMER COPY</b>		
ALL RIGHTS RESERVED. REPRODUCTION OR ISSUE TO THIRD PARTIES IN ANY FORM WHATSOEVER IS NOT PERMITTED WITHOUT WRITTEN AUTHORITY FROM THE PROPRIETOR. PROPERTY OF ANYTEK TECHNOLOGY CO., LTD				
TITLE	NU 3.5mm series			
PART NO.	NU0400C0001AG	DWG NO.	8NU0004	
APPROVED	CHECKED	DESIGNED	DRAWN	CUST NO.
		Zhuhua 2017.09.28	Zhuhua 2017.09.28	
				Tolerance
				X.    ±0.50
				X.X   ±0.30
				X.XX   ±0.10
				X°    ±1°
SHEET: 01/01				