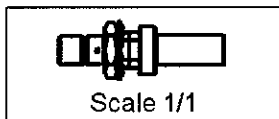
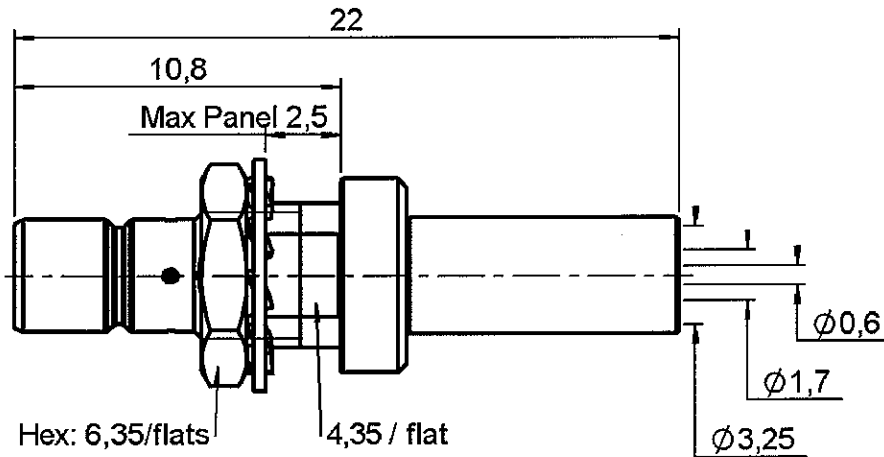


**STRAIGHT BULKHEAD JACK CRIMP TYPE**

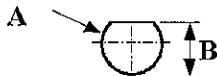
**R114.313.000**

**REAR MOUNT - CABLE 2.6/50+75 S**

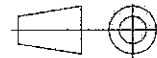
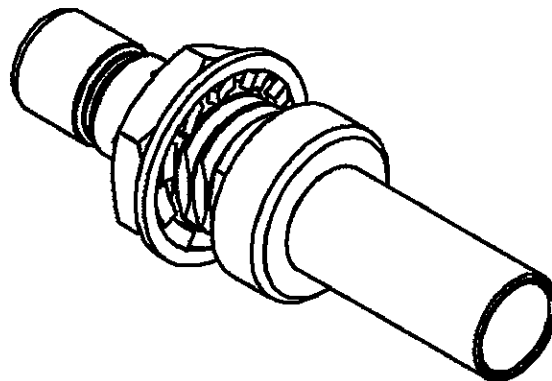
Series : **SMB**



**PANEL CUT OUT**



mm		
	Maxi	mini
A	5	4.9
B	4.55	4.45



All dimensions are in mm.

COMPONENTS	MATERIALS	PLATINGS (µm)
BODY	BRASS	GOLD 0.2 OVER NICKEL 2
CENTER CONTACT	BRASS	GOLD 1.3 OVER NICKEL 2
OUTER CONTACT	-	-
INSULATOR	PTFE	-
GASKET	-	-
OTHERS PARTS	BRASS	GOLD 0.2 OVER NICKEL 2
-	-	-
-	-	-

Issue : 0510 B

In the effort to improve our products, we reserve the right to make changes judged to be necessary.



**STRAIGHT BULKHEAD JACK CRIMP TYPE**

**R114.313.000**

**REAR MOUNT - CABLE 2.6/50+75 S**

Series : SMB

**PACKAGING**

Standard	Unit	Other
100	'W' option	Contact us

**SPECIFICATION**

**CABLE ASSEMBLY**

**ELECTRICAL CHARACTERISTICS**

Impedance		<b>50</b> Ω
Frequency		<b>0-4</b> GHz
VSWR	<b>1.25 +</b>	<b>0.040</b> x F(GHz) Maxi
Insertion loss		<b>0.25</b> √F(GHz) dB Maxi
RF leakage	- (	<b>57</b> - F(GHz)) dB Maxi
Voltage rating		<b>335</b> Veff Maxi
Dielectric withstanding voltage		<b>1000</b> Veff mini
Insulation resistance		<b>1000</b> MΩ mini

Stripping	a	b	c	d	e	f
mm	2.50	5.40	11.0	0.00	8.50	0.00

Assembly instruction : **Crimp 02**

Recommended cable(s)

- RG 316
- KX 22A
- RG 188
- RG 179
- RG 187
- RG 174
- KX 3B
- RG 174 FTX
- RG 174
- RG 316
- ECO 316

Characteristics indicated on this data sheet are those that can be achieved with the highest performance cable. Intrinsic limitations of the cable may diminish the performance of the assembly

Cable retention

- pull off **110** N mini
- torque **NA** N.cm

**MECHANICAL CHARACTERISTICS**

Center contact retention		
Axial force – Mating end	<b>10</b>	N mini
Axial force – Opposite end	<b>10</b>	N mini
Torque	<b>NA</b>	N.cm mini

Recommended torque		
Mating	<b>NA</b>	N.cm
Panel nut	<b>60</b>	N.cm
Clamp nut	<b>NA</b>	N.cm
A/F clamp nut	<b>0.000</b>	mm

Mating life	<b>500</b>	Cycles mini
Weight	<b>1.930</b>	g

**TOOLING**

Part Number	Description	Hexagon
R282.281.000	CRIMPING TOOL	2x4(pos.3->50 pos.1->75)
R282.983.000	POSITONER FOR CRIMPING TOOL	-
R282.211.000	CRIMPING TOOL	3.25
R282.293.000	CRIMPING TOOL	(M22520/5-01)
R282.235.003	CRIMPING DIES	3.25

**ENVIRONMENTAL**

Operating temperature	<b>-65/+165</b>	° C
Hermetic seal	<b>NA</b>	Atm.cm3/s
Panel leakage	<b>NA</b>	

**OTHERS CHARACTERISTICS**

Issue : 0510 B

In the effort to improve our products, we reserve the right to make changes judged to be necessary.



**RADIALL®**