

# SPL-24 Series

## PoE splitters



- > IEEE 802.3af compliant; splits power and data from PoE equipment
- > Supports output power up to 12.95 W at 24 VDC
- > Short circuit protection for power output
- > -40 to 75°C operating temperature range (T model)
- > DIN-rail mounting ability



## Specifications

### Technology

#### Standards:

IEEE 802.3af for Power-over-Ethernet  
 IEEE 802.3 for 10BaseT  
 IEEE 802.3u for 100BaseT(X)

#### Interface

**RJ45 Ports:** 10/100BaseT(X) for PoE IN and DATA OUT

**LED Indicators:** Power

#### Power Requirements

**Input Voltage:** 44 to 75 VDC (PoE)

**Output Voltage:** 24 VDC

**Overload Current Protection:** 400 mA @ 48 VDC input

**Connection:** 1 removable 3-contact terminal block for output

**Output Power:** Max. 12.95 watts (0.54 A @ 24 VDC)

#### Physical Characteristics

**Housing:** Plastic, IP30 protection

**Dimensions:** 24.9 × 100 × 86.2 mm (0.98 × 3.93 × 3.39 in)

**Weight:** 95 g

**Installation:** DIN-rail mounting

#### Environmental Limits

##### Operating Temperature:

Standard Models: 0 to 60°C (32 to 140°F)

Wide Temp. Models: -40 to 75°C (-40 to 167°F)

**Storage Temperature:** -40 to 85°C (-40 to 185°F)

**Ambient Relative Humidity:** 5 to 95% (non-condensing)

#### Standards and Certifications

**Safety:** UL 69050-1

**EMI:** FCC Part 15 Subpart B Class B, EN 55022 Class A

#### EMS:

EN 61000-4-2 (ESD) Level 3, EN 61000-4-3 (RS) Level 3,  
 EN 61000-4-4 (EFT) Level 3, EN 61000-4-5 (Surge) Level 3,  
 EN 61000-4-6 (CS) Level 3, EN 61000-4-8

**Marine:** DNV, GL, LR, ABS, NK

**Shock:** IEC 60068-2-27

**Freefall:** IEC 60068-2-32

**Vibration:** IEC 60068-2-6

Note: Please check Moxa's website for the most up-to-date certification status.

### MTBF (mean time between failures)

**Time:** 5,104,703 hrs

**Database:** MIL-HDBK-217F, GB 25°C

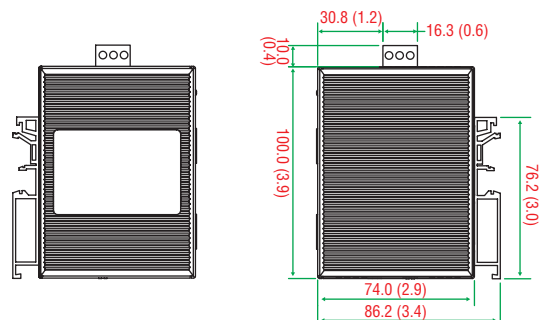
### Warranty

**Warranty Period:** 5 years

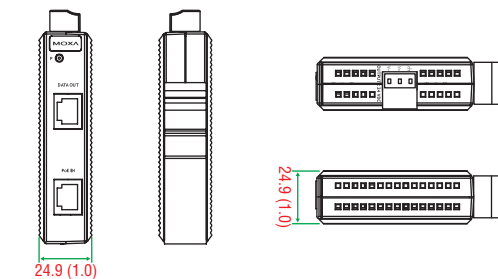
**Details:** See [www.moxa.com/warranty](http://www.moxa.com/warranty)

### Dimensions

Unit: mm (inch)



Side View



Front View

Rear View

Top and Bottom View

## Ordering Information

### Available Models

**SPL-24:** PoE splitter, maximum output of 12.95 W at 24 VDC, 0 to 60°C operating temperature

**SPL-24-T:** PoE splitter, maximum output of 12.95 W at 24 VDC, -40 to 75°C operating temperature

### Package Checklist

- SPL-24 PoE splitter
- Hardware installation guide (printed)
- Warranty card