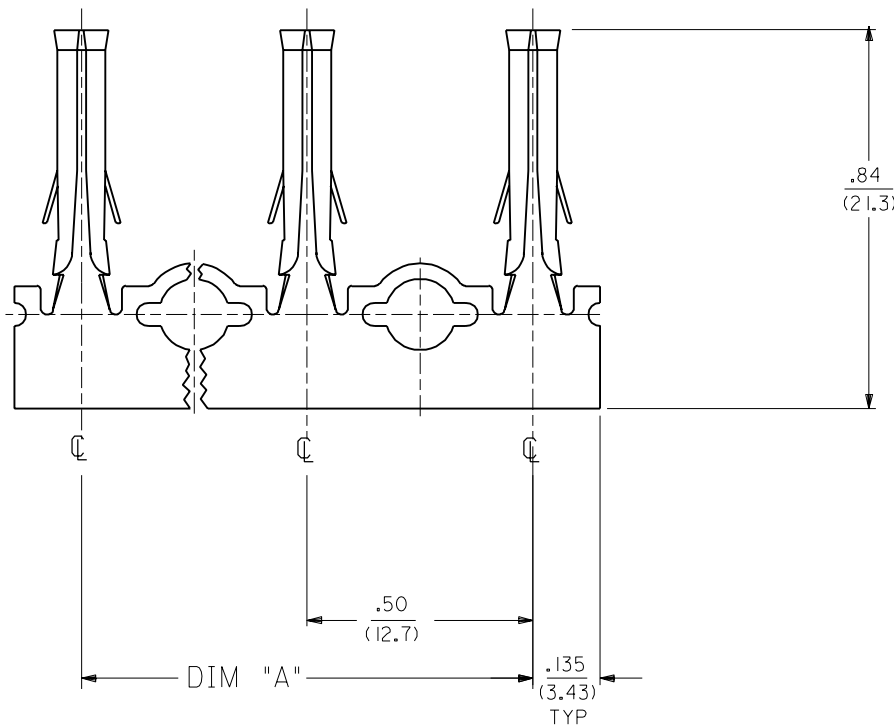


PART NO.	ENG. NO.	CIRCUIT SIZE	DIM "A"
02-09-1199	42299-A	CHAIN FORM	—
PRELIMINARY	42299-A2	2	$\frac{0.50}{(12.7)}$
PRELIMINARY	42299-A3	3	$\frac{1.00}{(25.4)}$
PRELIMINARY	42299-A4	4	$\frac{1.50}{(38.1)}$
PRELIMINARY	42299-A5	5	$\frac{2.00}{(50.8)}$

NOTES :

- 1. MATERIAL: 70/30 BRASS, .010/(0.25) TH'K.
- 2. FINISH:
A = HOT TIN DIP 20 mi - 80 mi/(0.51 - 2.0) MIN.
(SEE SDES-88-P901)
- 3. TERMINALS FURNISHED IN CHAIN UNLESS SPECIFIED OTHERWISE. SUFFIX INDICATES SPECIFIED CIRCUIT SIZE CUT LENGTH.



LEGEND:

42299-***

- BASE NUMBER
- PLATING CODE (SEE NOTE 2)
- FORM: BLANK = CHAIN
- # = SPECIFIED CUT CIRCUIT SIZE (SEE NOTE 3)

--	I	A	A	FINAL RELEASE ERO 28874 89/9/6 G.COMSTOCK
MFG.	SH.	REV.	LTR.	REVISIONS

DIMENSIONS SHOWN (METRIC) INCH		REVISIONS													
UNLESS OTHERWISE SPECIFIED TOLERANCES: ANGULAR ± 1/2°		REVISE ONLY ON CAD SYSTEM													
<table border="1"> <thead> <tr> <th></th> <th>INCH</th> <th>METRIC</th> </tr> </thead> <tbody> <tr> <td>3 PLACE</td> <td>± .010</td> <td>---</td> </tr> <tr> <td>2 PLACE</td> <td>± .014</td> <td>± 0.25</td> </tr> <tr> <td>1 PLACE</td> <td>---</td> <td>± 0.35</td> </tr> </tbody> </table>			INCH	METRIC	3 PLACE	± .010	---	2 PLACE	± .014	± 0.25	1 PLACE	---	± 0.35	TITLE FEMALE TERMINAL CHAIN FORM, .093/(2.36) DIA.	
	INCH	METRIC													
3 PLACE	± .010	---													
2 PLACE	± .014	± 0.25													
1 PLACE	---	± 0.35													
DRAFT WHERE APPLICABLE MUST REMAIN WITHIN DIMENSIONS		SHEET NO. DATE 1 OF 1 89/ 9/ 6													
DRWG. BY: RK APP'D. BY: GWF CHK'D. BY: GWF SCALE: 4 : 1		PART NO. SEE CHART DRWG. NO. SD-42299-*** FILE NAME: SD42299X1.DGN THIS DRAWING CONTAINS INFORMATION THAT IS PROPRIETARY TO MOLEX INC. AND SHOULD NOT BE USED WITHOUT WRITTEN PERMISSION.													