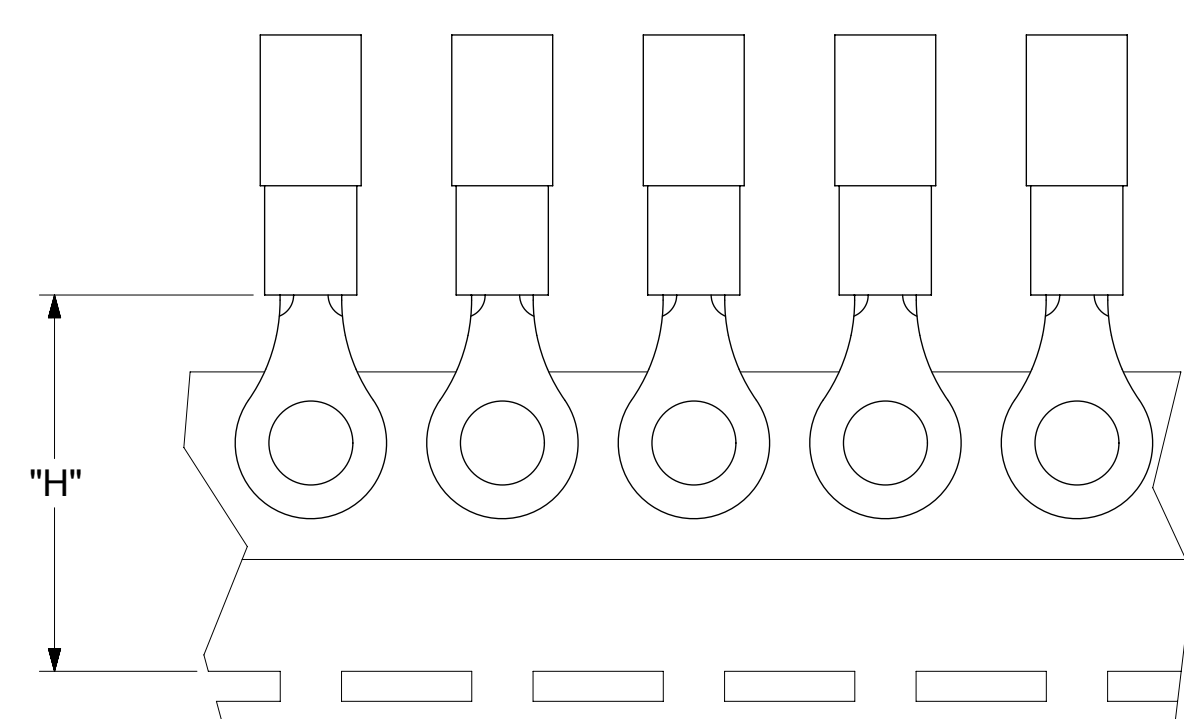
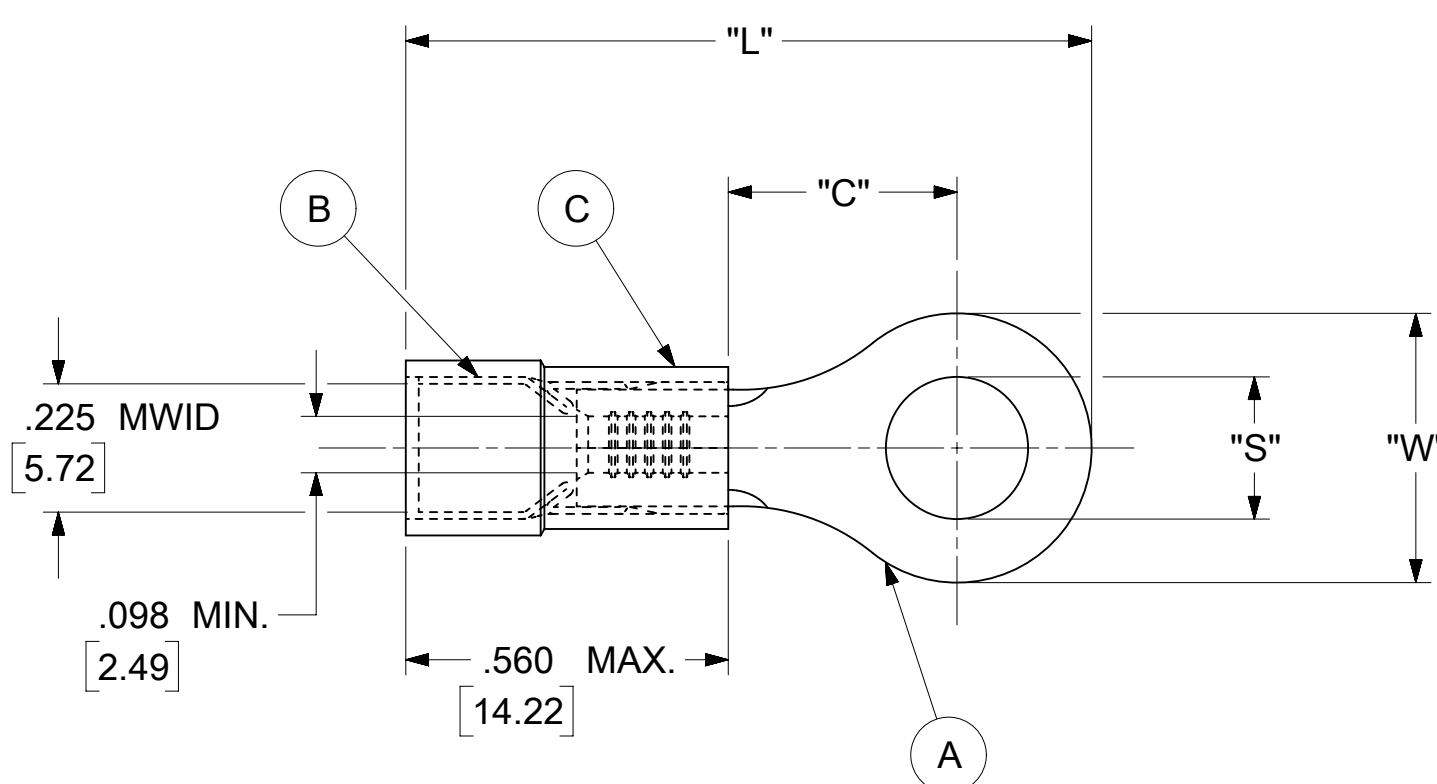


LOOSE PIECE		TAPE MOUNTED		SPECIFICATIONS						
MATERIAL NUMBER	ENGINEERING NUMBER	MATERIAL NUMBER	ENGINEERING NUMBER	STUD SIZE	"S" ±.005 [0.13]	"W" ±.010 [0.25]	"C" MIN.	"L" MAX.	"H"	STOCK ±.001 [0.025] THICKNESS
190580016	B-801-12HD	---	---	12	.515 [13.08]	.750 [19.05]	.611 [15.52]	1.586 [40.28]	---	.050 [1.27]
---	---	---	---	14	.265 [6.73]					
---	---	---	---	38	.390 [9.91]					
---	---	---	---	56	.328 [8.33]					
190580026	B-801-76HD	---	---	76	.453 [11.51]	.375 [9.53]	.303 [7.70]	1.091 [27.71]	.980 [24.89]	.050 [1.27]
190580037	B-828-06HD	---	---	6	.146 [3.71]					
190580041	B-828-08HD	---	---	8	.173 [4.39]					
190580047	B-828-10HD	190580050	B-828-10HDT	10	.198 [5.03]					
190580055	B-830-10HD	---	---	10	.198 [5.03]	.530 [13.46]	.393 [9.98]	1.258 [31.95]	.980 [24.89]	.050 [1.27]
190580063	B-830-14HD	190580068	B-830-14HDT	14	.265 [6.73]					
190580072	B-830-56HD	190580077	B-830-56HDT	56	.328 [8.33]					
---	---	---	---	4	.119 [3.02]					
---	---	---	---	6	.146 [3.71]	.282 [7.16]	.306 [7.77]	1.047 [26.59]	.980 [24.89]	.050 [1.27]
---	---	---	---	8	.173 [4.39]					
---	---	---	---	10	.198 [5.03]					
190580112	B-840-14HD	---	---	14	.265 [6.73]					
190580117	B-840-38HD	190580119	B-840-38HDT	38	.390 [9.91]	.592 [15.04]	.466 [11.84]	1.362 [34.59]	1.172 [29.77]	.050 [1.27]
190580123	B-840-56HD	---	---	56	.328 [8.33]					

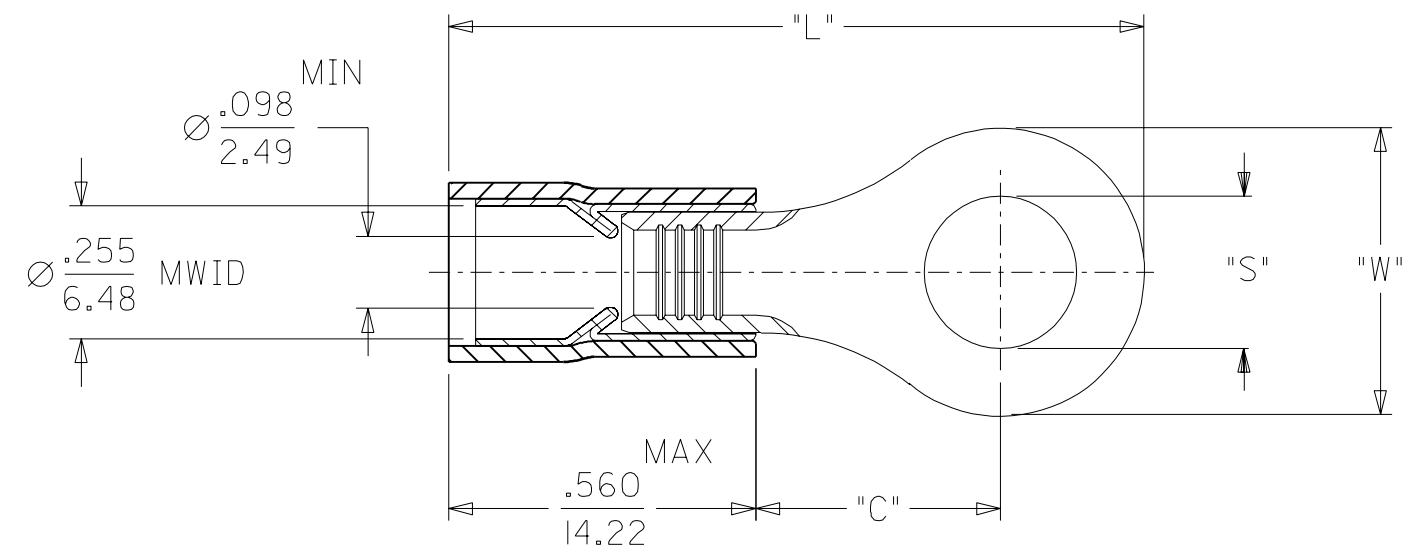
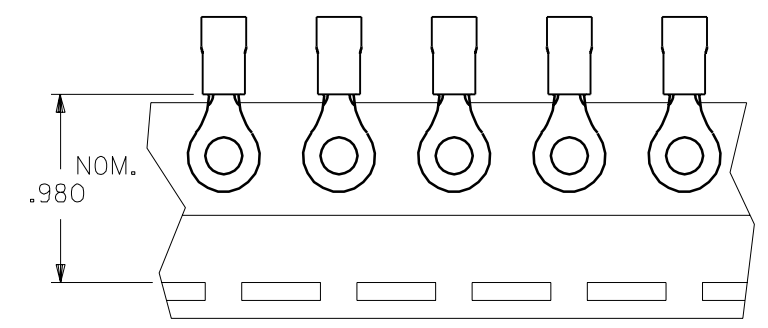


PARTS ON TAPE

- NOTES:
- MATERIAL:
 - (A). RING TONGUE TERMINAL: COPPER PLATING: ELECTRO-TIN (.0003 MIN.)
 - (B). TIN-PLATED BRASS FUNNEL FERRULE
 - (C). INSULATION: NYLON (YELLOW)
 - MWID: MAXIMUM WIRE INSULATION DIAMETER
 - WIRE SIZE: 16 -14 AWG
1.0 -2.5 MM²
 - "UL" LISTING #E32244
"CSA" LISTING #18689
 - ALL DIMENSIONS IN INCHES/[MM].
 - PARTS ARE ROHS COMPLIANT.
 - DIMS. SHOWN ARE FOR REFERENCE ONLY.

SYMBOLS	THIS DRAWING CONTAINS INFORMATION THAT IS PROPRIETARY TO MOLEX ELECTRONIC TECHNOLOGIES, LLC AND SHOULD NOT BE USED WITHOUT WRITTEN PERMISSION									
	DIMENSION UNITS		SCALE		CURRENT REV DESC: MIGRATION TO ECTR/NX					
	INCH/MM		NTS		EC NO: 619818 DRWN: ABENJAMINLW 2019/06/18 CHK'D: GROJAS01 2019/06/27 APPR: JMACNEIL 2019/07/10 INITIAL REVISION: DRWN: JJ 1984/11/29 APPR: JMACNEIL 2019/07/10					
	GENERAL TOLERANCES (UNLESS SPECIFIED)									
▽ = 0	4 PLACES	±	±	PRODUCT CUSTOMER DRAWING DOCUMENT NUMBER: 190580016 DOC TYPE: PSD DOC PART: 000 REVISION: A MATERIAL NUMBER: SEE TABLE CUSTOMER: GENERAL MARKET SHEET NUMBER: 1 OF 1						
▽ = 0	3 PLACES	±	± 0.005							
▽ = 0	2 PLACES	± 0.13	± 0.01							
▽ = 0	1 PLACE	± 0.25	±							
☒ = 0	0 PLACES	±	±	THIRD ANGLE PROJECTION DRAWING: C-SIZE SERIES: 19058						
■ = 0	ANGULAR TOL ± 0.5 °									
▽ = 0	DRAFT WHERE APPLICABLE MUST REMAIN WITHIN DIMENSIONS									

MATERIAL NUMBER	ALTERNATE NUMBER	STUD SIZE	"S"	"W" MAX	"C" MIN	"L" MAX	PACKAGING
190580061	B-830-10HDX	10	.198 (5.02)	.760 (19.30)	.316 (8.06)	1.248 (31.70)	LOOSE PIECE
190580069	B-830-14HDX	1/4	.265 (6.73)	.760 (19.30)	.316 (8.06)	1.248 (31.70)	
190580078	B-830-56HDX	5/16	.328 (8.33)	.760 (19.30)	.316 (8.06)	1.248 (31.70)	
190580071	B-830-38HDX	3/8	.390 (9.91)	.760 (19.30)	.316 (8.06)	1.248 (31.70)	
190580087	B-836-04HDX	4	.515 (13.08)	.292 (7.42)	.423 (10.74)	1.077 (27.36)	
190580091	B-836-06HDX	6	.123 (3.12)	.292 (7.42)	.423 (10.74)	1.077 (27.36)	
190580095	B-836-08HDX	8	.146 (3.70)	.292 (7.42)	.423 (10.74)	1.077 (27.36)	
190580062	B-830-10HDXT	10	.198 (5.02)	.760 (19.30)	.316 (8.06)	1.248 (31.70)	
190580070	B-830-14HDXT	1/4	.265 (6.73)	.760 (19.30)	.316 (8.06)	1.248 (31.70)	
190580079	B-830-56HDXT	5/16	.328 (8.33)	.760 (19.30)	.316 (8.06)	1.248 (31.70)	
190580088	B-836-04HDXT	4	.515 (13.08)	.292 (7.42)	.423 (10.74)	1.077 (27.36)	
190580092	B-836-06HDXT	6	.123 (3.12)	.292 (7.42)	.423 (10.74)	1.077 (27.36)	
190580096	B-836-08HDXT	8	.146 (3.70)	.292 (7.42)	.423 (10.74)	1.077 (27.36)	



- NOTES:
1. MATERIAL: COPPER
PLATING: ELECTROPLATE TIN
 2. FERRULE: TIN-PLATED BRASS
 3. INSULATION: BLUE NYLON
 4. MWID=MAXIMUM WIRE INSULATION DIA.
 5. ALL DIMENSIONS IN INCHES/(MM).

CUSTOMER DRAWING

DIMENSIONS SHOWN (METRIC) INCH UNLESS OTHERWISE SPECIFIED TOLERANCES: ANGULAR ± 1/2°		REVISE ONLY ON CAD SYSTEM													
<table border="1"> <thead> <tr> <th></th> <th>INCH</th> <th>METRIC</th> </tr> </thead> <tbody> <tr> <td>3 PLACE</td> <td>± .005</td> <td>± ---</td> </tr> <tr> <td>2 PLACE</td> <td>± .01</td> <td>± 0.13</td> </tr> <tr> <td>1 PLACE</td> <td>± ---</td> <td>± 0.25</td> </tr> </tbody> </table>			INCH	METRIC	3 PLACE	± .005	± ---	2 PLACE	± .01	± 0.13	1 PLACE	± ---	± 0.25	TITLE AVIKRIMP EXPANDED RING TONGUE TERMINAL HEAVY DUTY 16-14 AWG	
	INCH	METRIC													
3 PLACE	± .005	± ---													
2 PLACE	± .01	± 0.13													
1 PLACE	± ---	± 0.25													
DRAFT WHERE APPLICABLE MUST REMAIN WITHIN DIMENSIONS		mox ETC INC. PINELLAS PARK, FLA. 33781 U.S.A.	SHEET NO. 1 OF 1 DATE 00/09/29												
DRWG. BY EDB APP'D. BY RWD		PART NO. SEE TABLE DRWG. NO. SD-19058-003													
FILE NAME SD19058003 DGN SCALE NO:NE		THIS DRAWING CONTAINS INFORMATION THAT IS PROPRIETARY TO MOLEX-ETC INC. AND SHOULD NOT BE USED WITHOUT WRITTEN PERMISSION. DIV. ET SIZE B													

A	NEW CUST. DWG. ETC2001-0196 2000/11/17 EDB
LTR.	REVISIONS