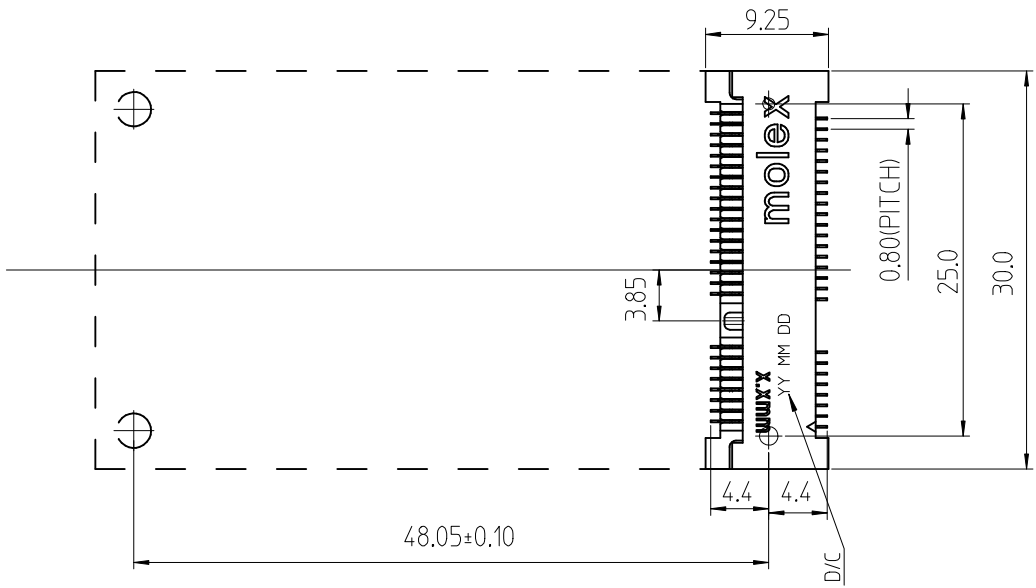
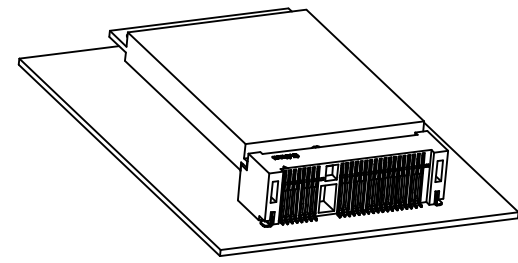
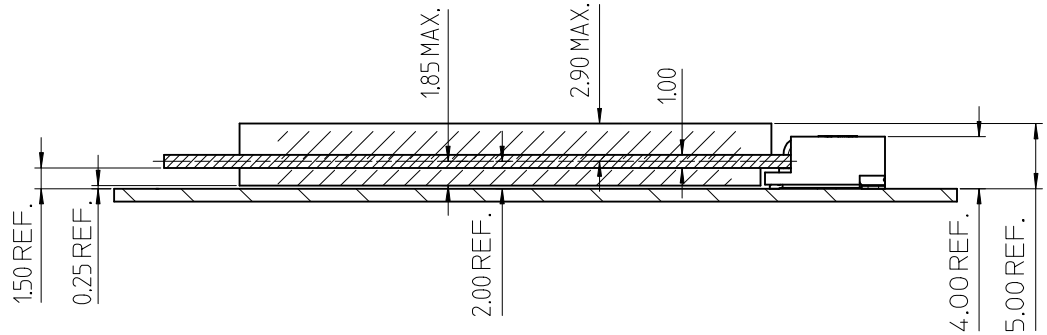


10 9 8 7 6 5 4 3 2 1

F  
E  
D  
C  
B  
A



- NOTES:
1. MATERIAL:
    - 1.1 HOUSING: THERMOPLASTIC, HIGH TEMP., UL94V-0, COLOR:BLACK.
    - 1.2 CONTACT: COPPER ALLOY.
    - 1.3 FITTING NAIL: COPPER ALLOY.
  2. FINISH:
    - 2.1 CONTACT: GOLD FLASH ON CONTACT AREA AND SOLDER TAIL. NICKEL UNDERPLATING OVERALL.
    - 2.2 FITTING NAIL: 100U" MIN. TIN PLATING ON SOLDER TAILS. NICKEL UNDERPLATING OVERALL.
  3. PRODUCT SPECIFICATION REFER TO PS-48338-002.
  4. PACKAGING DRAWING REFER TO PK-48338-002.
  5. TEST SUMMARY REFER TO TS-48338-004.
  6. LEAD FREE AND ROHS COMPLIANT PRODUCT.
  7. DATUM D IS THE TOP SURFACE OF PCB.



△	MOLEX P/N	PACKING
	48338-0040	PK-48338-002 PAGE 2
	48338-1040	PK-48338-002 PAGE 3

SEE SHT 3 EC NO: SH2015-0138 DRWN:SKANG 2014/09/26 CHKD: JESSIE CHUA 2014/10/02 APPR: SHONG 2014/10/10	QUALITY SYMBOLS F=0 F=0 F=0	GENERAL TOLERANCES (UNLESS SPECIFIED)		DIMENSION STYLE MM ONLY		SCALE NTS	DESIGN UNITS METRIC	THIRD ANGLE PROJECTION		
			mm	INCH	DRAWN BY E.K.	DATE 2009/03/04	TITLE MINI PCI EXP. 0.8 PITCH H=4.00MM			
		4 PLACES	± ---	± ---	CHECKED BY FYANG05	DATE 2009/03/04				
		3 PLACES	± ---	± ---	APPROVED BY NAGESHKN	DATE 2010/11/30	MOLEX INCORPORATED DOCUMENT NO. SD-48338-004 SHEET NO. 1 OF 3			
		2 PLACES	± 0.25	± ---	MATERIAL NO.					
1 PLACE	± 0.25	± ---	ANGULAR ± 3 °		SEE SHEET 1					
DRAFT WHERE APPLICABLE MUST REMAIN WITHIN DIMENSIONS				THIS DRAWING CONTAINS INFORMATION THAT IS PROPRIETARY TO MOLEX INCORPORATED AND SHOULD NOT BE USED WITHOUT WRITTEN PERMISSION						

9 8 7 6 5 4 3 2 1

10 9 8 7 6 5 4 3 2 1

F

E

D

C

B

A

F

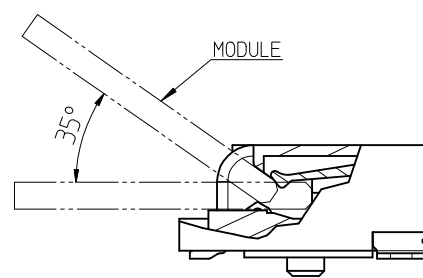
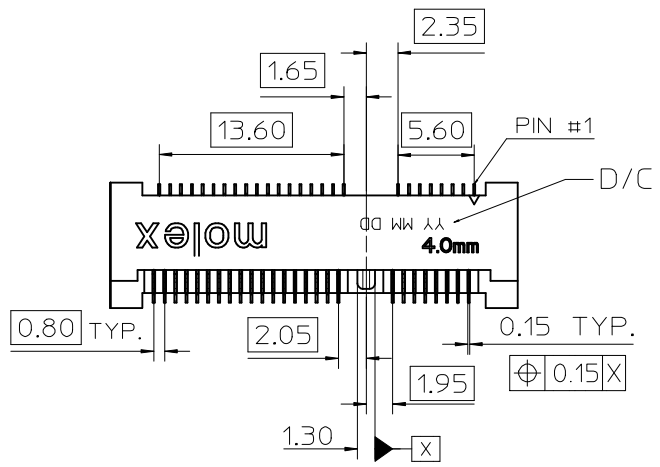
E

D

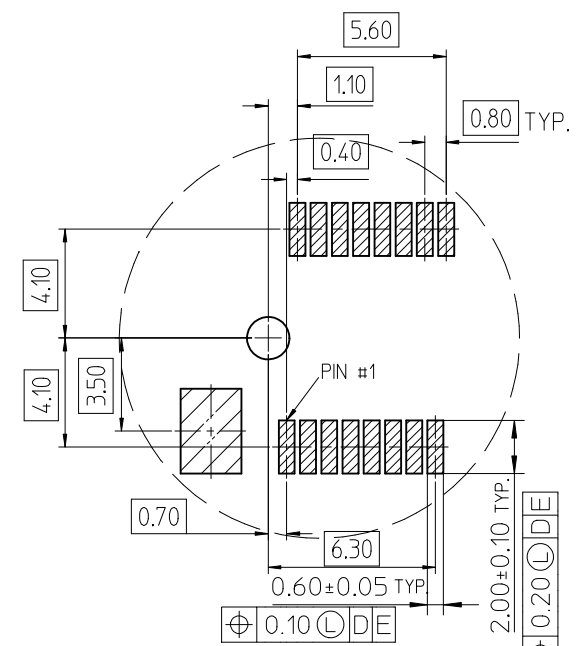
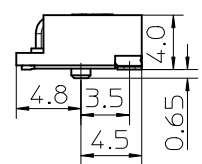
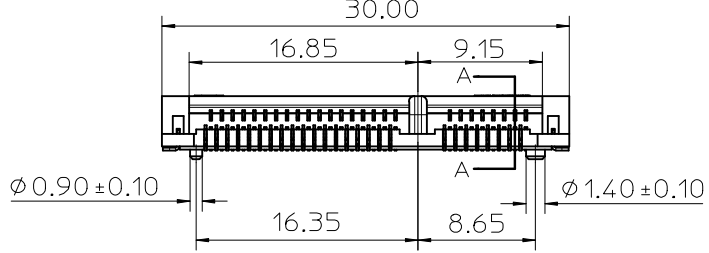
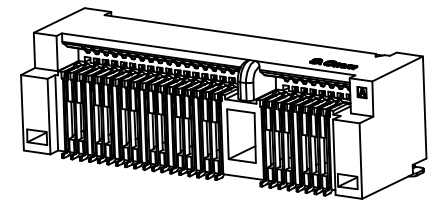
C

B

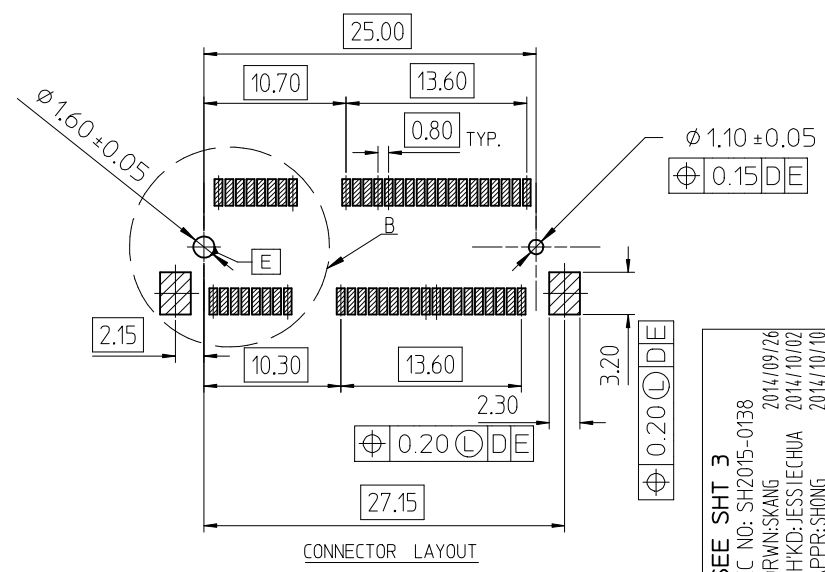
A



SECTION A-A



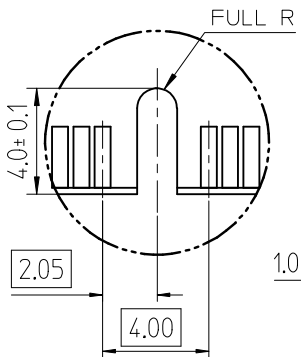
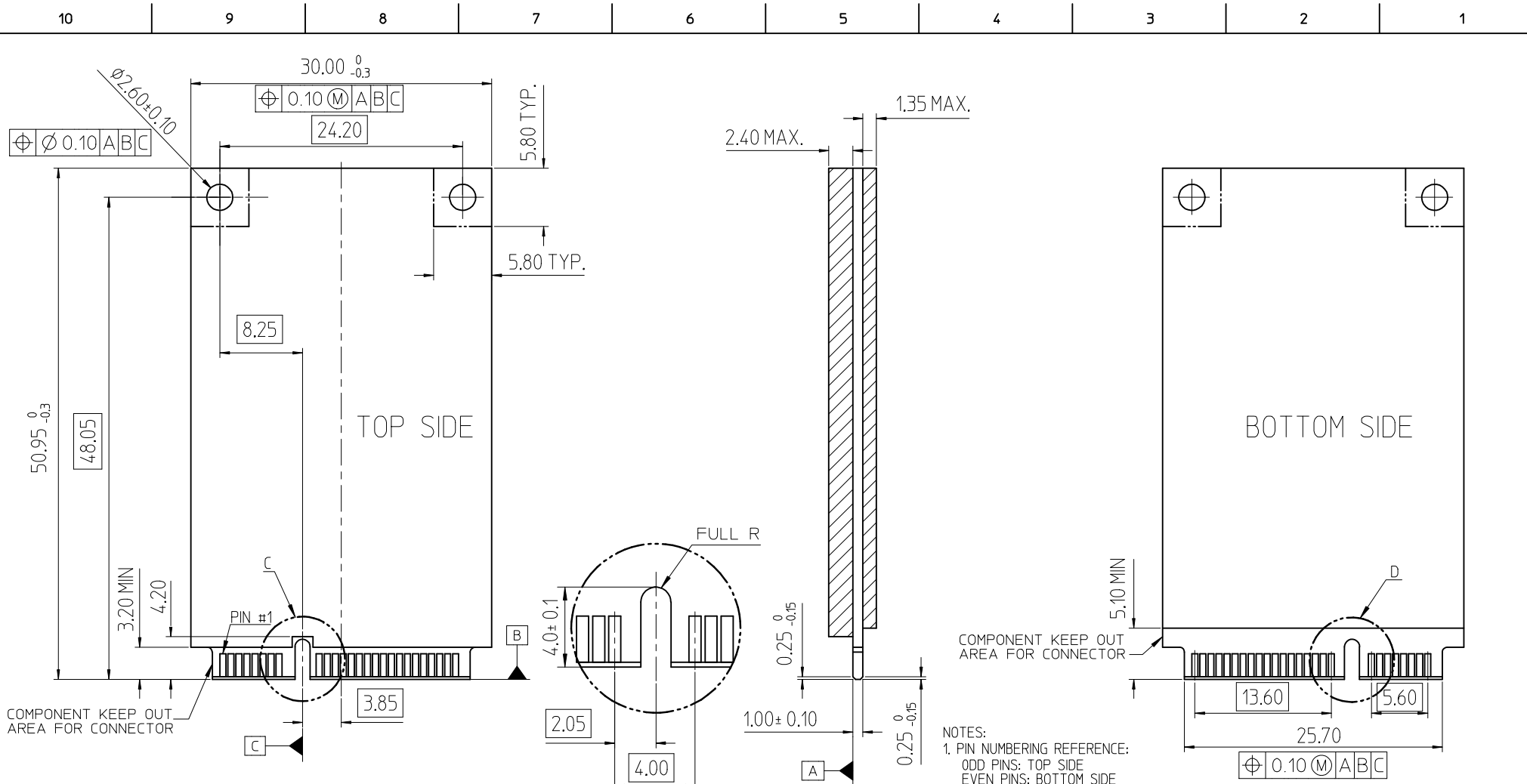
DETAIL B



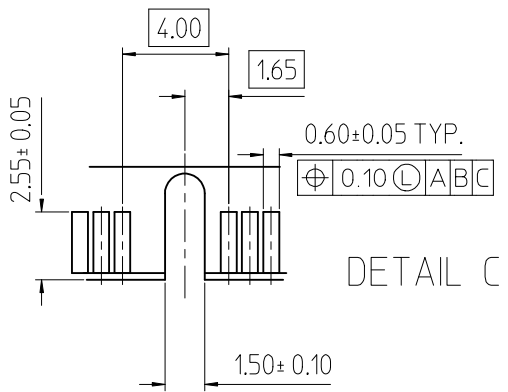
CONNECTOR LAYOUT

SEE SHT 3 EC NO: SH2015-0138 DRWN:SKANG 2014/09/26 CHKD:JESSIECHUA 2014/10/02 APPR:SHONG 2014/10/10	QUALITY SYMBOLS FA=0 FC=0 FE=0	GENERAL TOLERANCES (UNLESS SPECIFIED)		DIMENSION STYLE MM ONLY		SCALE NTS	DESIGN UNITS METRIC	THIRD ANGLE PROJECTION		
			mm	INCH	DRAWN BY E.K.	DATE 2009/03/04	TITLE MINI PCI EXP. 0.8 PITCH H=4.00MM			
		4 PLACES	± ---	± ---	CHECKED BY FYANG05	DATE 2009/03/04	MOLEX INCORPORATED			
			2 PLACES	± 0.25	± ---	APPROVED BY NAGESHKN	DATE 2010/11/30	DOCUMENT NO. SD-48338-004		SHEET NO. 2 OF 3
			1 PLACE	± 0.25	± ---	MATERIAL NO.		SEE SHEET 1		
			ANGULAR ± 3 °		DRAFT WHERE APPLICABLE MUST REMAIN WITHIN DIMENSIONS		THIS DRAWING CONTAINS INFORMATION THAT IS PROPRIETARY TO MOLEX INCORPORATED AND SHOULD NOT BE USED WITHOUT WRITTEN PERMISSION			

9 8 7 6 5 4 3 2 1



DETAIL D



DETAIL C

<b>CORRECTED [C9]</b> EC NO: SH2015-0138 DRW:SKANG 2014/09/26 CHKD:JESSIECHUA 2014/10/02 APPR:SHONG 2014/10/10	QUALITY SYMBOLS $\nabla_A = 0$ $\nabla_C = 0$ $\nabla_F = 0$	GENERAL TOLERANCES (UNLESS SPECIFIED) <table border="1"> <tr> <th></th> <th>mm</th> <th>INCH</th> </tr> <tr> <td>4 PLACES</td> <td><math>\pm</math> ---</td> <td><math>\pm</math> ---</td> </tr> <tr> <td>3 PLACES</td> <td><math>\pm</math> ---</td> <td><math>\pm</math> ---</td> </tr> <tr> <td>2 PLACES</td> <td><math>\pm 0.25</math></td> <td><math>\pm</math> ---</td> </tr> <tr> <td>1 PLACE</td> <td><math>\pm 0.25</math></td> <td><math>\pm</math> ---</td> </tr> </table>		mm	INCH	4 PLACES	$\pm$ ---	$\pm$ ---	3 PLACES	$\pm$ ---	$\pm$ ---	2 PLACES	$\pm 0.25$	$\pm$ ---	1 PLACE	$\pm 0.25$	$\pm$ ---	DIMENSION STYLE <b>MM ONLY</b>	SCALE <b>NTS</b>	DESIGN UNITS <b>METRIC</b>	THIRD ANGLE PROJECTION
		mm	INCH																		
	4 PLACES	$\pm$ ---	$\pm$ ---																		
	3 PLACES	$\pm$ ---	$\pm$ ---																		
2 PLACES	$\pm 0.25$	$\pm$ ---																			
1 PLACE	$\pm 0.25$	$\pm$ ---																			
DRAFT WHERE APPLICABLE MUST REMAIN WITHIN DIMENSIONS	SEE SHEET 1	DRAWN BY E. K.	DATE 2009/03/04	TITLE <b>MINI PCI EXP. 0.8 PITCH          H=4.00MM</b>																	
A2	MATERIAL NO. SEE SHEET 1	APPROVED BY NAGESHKN	DATE 2010/11/30	<b>MOLEX INCORPORATED</b>																	
REV	SIZE <b>A3</b>	THIS DRAWING CONTAINS INFORMATION THAT IS PROPRIETARY TO MOLEX INCORPORATED AND SHOULD NOT BE USED WITHOUT WRITTEN PERMISSION		DOCUMENT NO. <b>SD-48338-004</b>	SHEET NO. <b>3 OF 3</b>																