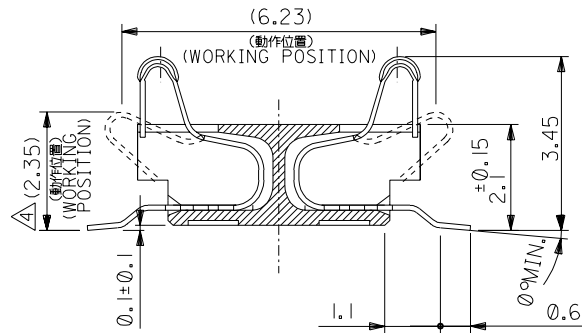
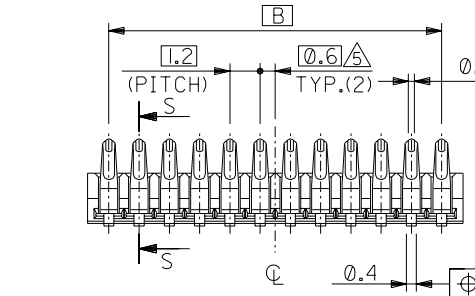
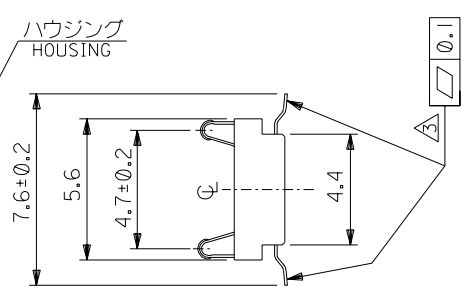
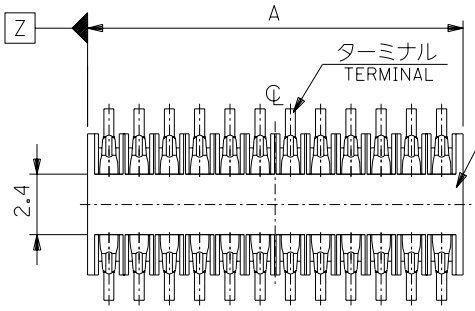
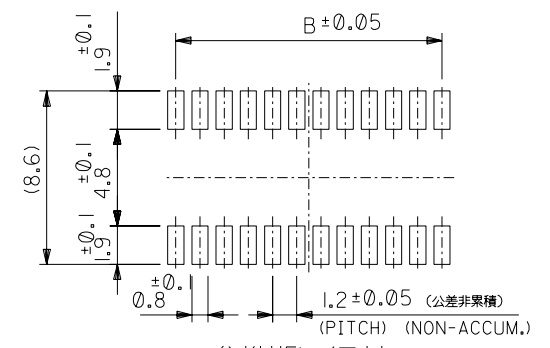


DO NOT SCALE DRAWING

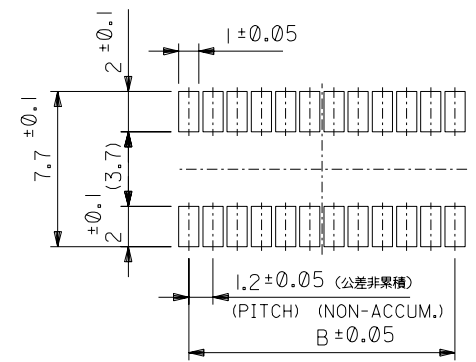
DWG. NO. SD-54546-025



SECT. S-S
(SCALE 10:1)



参考基板レイアウト
P.C. BOARD PATTERN DIM. (REF.)



参考嵌合基板レイアウト
MATING P.C. BOARD PATTERN DIM. (REF.)

注記
NOTES

- 材質 MATERIAL
ハウジング : 液晶ポリマー(黒) UL94V-0
HOUSING : LIQUID CRYSTAL POLYMER, (BLACK), UL94V-0
ターミナル : 焼青銅 (t=0.1)
TERMINAL : PHOSPHOR BRONZE (t=0.1)
- メッキ仕様 PLATING
接点部 : 金メッキ
CONTACT AREA : GOLD PLATING 0.4 MICROMETER MINIMUM.
半田付け部 : 錫メッキ
SOLDER TAIL AREA : TIN PLATING 1.0 MICROMETER MINIMUM.
下地メッキ : ニッケルメッキ
UNDER PLATING : NICKEL PLATING 1.5 MICROMETER MINIMUM.
- コネクタを水平面上に置いた状態で維持する事。
TOLERANCES TO BE APPLIED WHEN ON A HORIZONTAL PLANE.
- 動作位置 (ストローク量 1.1mm) での接触力 : 0.46±0.1N {47±10gf}
NORMAL FORCE AT WORKING POSITION (STROKE 1.1mm) : 0.46±0.1N {47±10gf}
- (全極数/2) が偶数の場合に適用。
THIS DIM. TO BE APPLICABLE TO THE PRODUCT
WHEN (TOTAL CKT/2) = EVEN NUMBER.
- 本製品は54546-***31の鉛フリー品である。
THIS PRODUCT IS LEAD FREE OF 54546-***31.

13.2	14.9	54546-2439	24
10.8	12.5	54546-2039	20
7.2	8.9	54546-1439	14
B	A	MATERIAL NO.	極数 CIRCUIT

EC NO. DRWN: CHK: APPR:	EC NO. DRWN: CHK: APPR:	EC NO. DRWN: CHK: APPR:	EC NO. DRWN: CHK: APPR:	EC NO. DRWN: CHK: APPR:	RELEASED EC NO. J2004-3956 DRWN: Y.WADA '04/04/22 CHK: M.SASAO '04/04/22 APPR: M.SASAO '04/04/22	MATERIAL 材料 SEE NOTES	GENERAL TOLERANCES: (UNLESS SPECIFIED) 一般公差	SCALE 5:1	DESIGN UNITS <input checked="" type="checkbox"/> mm <input type="checkbox"/> INCH	THIRD ANGLE PROJECTION	DIMENSIONS: <input type="checkbox"/> mm <input type="checkbox"/> INCH <input checked="" type="checkbox"/> mm ONLY	SHT REVISE ON CAD ONLY	REV
						FINISH 仕上げ //	10 UNDER 未満 ±0.2	DRAWN BY & DATE Y.WADA '04/04/22	TITLE: 1.2mm PITCH DUAL ONE PIECE Conn Hsg Assy W/O BOSS -LEAD FREE-				
						WIRE RANGE 適用電線範囲 //	10 OVER 30 UNDER 以上 未満 ±0.25	CHECKED BY & DATE M.SASAO '04/04/22	MATERIAL NO. DRAWING NO. SEE CHART SD-54546-025				
						INS. RANGE 被覆外径 //	30 OVER 以上 ±0.3	APPROVED BY & DATE M.SASAO '04/04/22	MATERIAL NO. DRAWING NO. SEE CHART SD-54546-025				
							ANGLE 角度 ±3°	CAD FILENAME SD-54546-025.S01	THIS DRAWING CONTAINS INFORMATION THAT IS PROPRIETARY TO MOLEX INCORPORATED AND SHOULD NOT BE USED WITHOUT WRITTEN PERMISSION.				
									MOLEX INCORPORATED			SIZE B	

DWG. NO. SD-54546-026

8 7 6 5 4 3 2 1

F

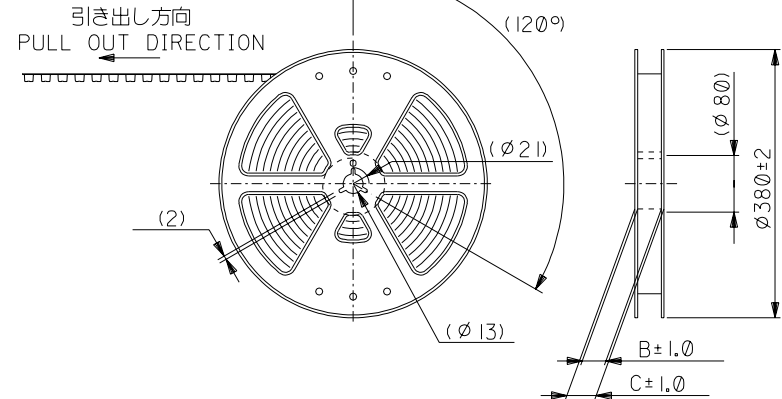
D

V

C

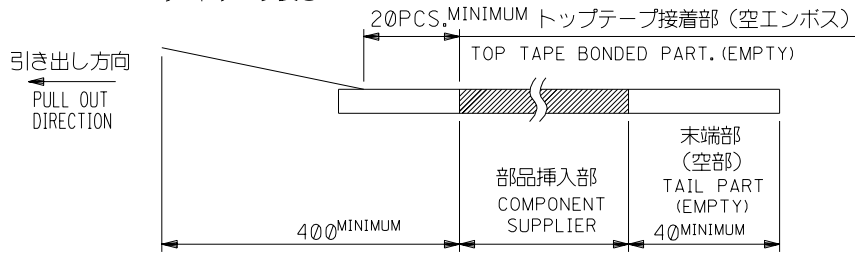
B

DO NOT SCALE DRAWING

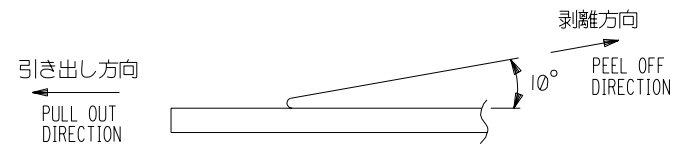


注記 NOTES

- 1. 梱包数量：1000個/リール
NUMBER OF CONNECTORS : 1000PCS/REEL
- 2. リードテープ長さ LEAD TAPE LENGTH



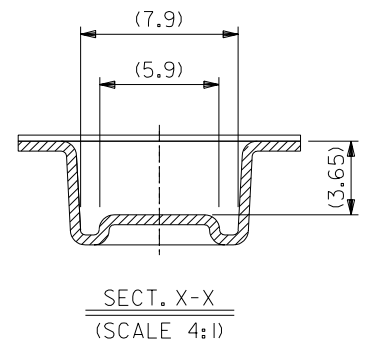
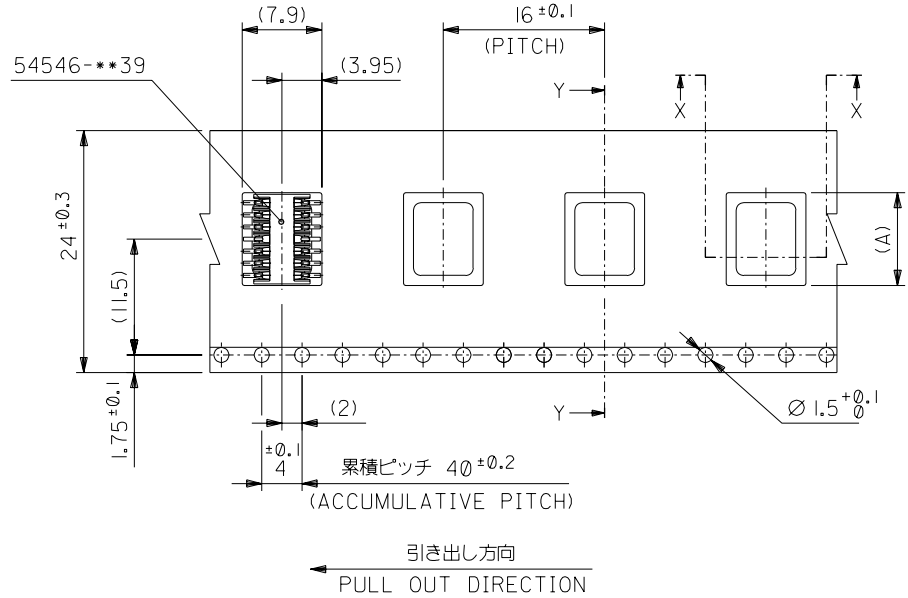
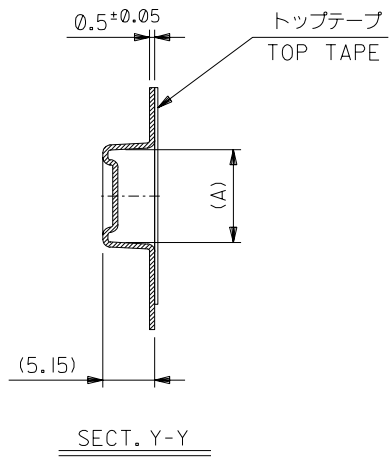
- 3. トップテープの剥離強度：0.1N ~ 1.3N {10gf ~ 130gf}
(剥離方向は下図参照)
尚、本規格値は出荷時に適用。(但し、輸送時に剥離が発生しないこと。)
PEELING OFF FORCE OF TOP TAPE : 0.1N ~ 1.3N {10gf ~ 130gf}
(PEELING DIRECTION AS SHOWN IN FOLLOWING FIG.)
THIS REQUIREMENT SHOULD BE APPLIED AT SHIPMENT.
PEEL OFF SHOULD NOT BE ALLOWED , DURING TRANSPORTATION.



- 4. 材料 (MATERIAL)
キャリアテープ (CARRIER TAPE) : ポリプロピレン (POLYPROPYLENE)
トップテープ (TOPTAPE) : PET , PE , PEF
リール (REEL) : ポリスチレン (POLYSTYRENE)
- 5. 本製品は 54546-***91 の鉛フリー品である。
THIS PRODUCT IS LEAD FREE OF 54546-***91.

54546-2439	54546 -2471	24
54546-2039	54546 -2071	20
54546-1439	54546 -1471	14
CONNECTOR	MATERIAL NO.	極数 CIRCUIT

EC NO. DRWN: CHK: APPR:	EC NO. DRWN: CHK: APPR:	EC NO. DRWN: CHK: APPR:	EC NO. DRWN: CHK: APPR:	EC NO. DRWN: CHK: APPR:	RELEASED EC NO. J2004-3956 DRWN: Y.WADA '04/04/22 CHK: M.SASAO '04/04/22 APPR: M.SASAO '04/04/22	MATERIAL 材料 SEE NOTES	GENERAL TOLERANCES: (UNLESS SPECIFIED) 一般公差	SCALE #	DESIGN UNITS <input checked="" type="checkbox"/> mm <input type="checkbox"/> INCH	THIRD ANGLE PROJECTION <input checked="" type="checkbox"/> mm <input type="checkbox"/> INCH	DIMENSIONS: <input type="checkbox"/> mm <input type="checkbox"/> INCH <input type="checkbox"/> mm <input type="checkbox"/> mm	SHT REV	REVISE ON CAD ONLY
					0	FINISH 仕上げ //	10 UNDER 未満 ±0.2		DRAWN BY & DATE Y.WADA '04/04/22	TITLE: 1.2 DUAL ONE PIECE Conn Hsg Assy (W/O BOSS) Embstp Pkg -LEAD FREE-			
						WIRE RANGE 適用電線範囲 //	10 OVER 30 UNDER 未満 ±0.25		CHECKED BY & DATE M.SASAO '04/04/22	MOLEX INCORPORATED			
						INS. RANGE 被覆外径 //	30 OVER 以上 ±0.3		APPROVED BY & DATE M.SASAO '04/04/22	MATERIAL NO. SEE CHART	DRAWING NO. SD-54546-026	SHEET NO. 1 OF 2	SIZE B
							ANGLE 角度 #3°		CAD FILENAME SD-54546-026.S01	THIS DRAWING CONTAINS INFORMATION THAT IS PROPRIETARY TO MOLEX INCORPORATED AND SHOULD NOT BE USED WITHOUT WRITTEN PERMISSION.			



24mm幅キャリアテープ
24mm WIDTH CARRIER TAPE

24	29.4	25.4	15.2	54546-2471	24
			12.8	54546-2071	20
			9.2	54546-1471	14
キャリアテープ幅 CARRIER TAPE WIDTH		C	B	A	MATERIAL NO. 極数

EC NO. DRWN: CHK: APPR:	EC NO. DRWN: CHK: APPR:	EC NO. DRWN: CHK: APPR:	EC NO. DRWN: CHK: APPR:	EC NO. DRWN: CHK: APPR:

RELEASED EC NO. J2004-3956 DRWN: Y.WADA '04/04/22 CHK: M.SASAO '04/04/22 APPR: M.SASAO '04/04/22	MATERIAL 材料 SHEET NO.1 参照 SEE SHEET NO.1	FINISH 仕上げ //	WIRE RANGE 適用電線範囲 //	INS. RANGE 被覆外径 //
0				

GENERAL TOLERANCES: (UNLESS SPECIFIED) 一般公差	SCALE 2:1	DESIGN UNITS <input checked="" type="checkbox"/> mm <input type="checkbox"/> INCH	THIRD ANGLE PROJECTION <input checked="" type="checkbox"/> <input type="checkbox"/>
10 UNDER 未満 ±0.2			
10 OVER 30 UNDER 未満 ±0.25			
30 OVER 以上 ±0.3			
ANGLE 角度 ±3°			

MODEL NO. 54546-***71	DIMENSIONS: <input type="checkbox"/> mm <input type="checkbox"/> INCH <input checked="" type="checkbox"/> mm ONLY		SHT	REV
DRAWN BY & DATE Y.WADA '04/04/22	TITLE: 1.2 DUAL ONE PIECE Conn Hsg Assy (W/O BOSS) Embstp Pkg -LEAD FREE-			
CHECKED BY & DATE M.SASAO '04/04/22	APPROVED BY & DATE M.SASAO '04/04/22			
CAD FILENAME SD-54546-026.S02	MATERIAL NO. SEE CHART	DRAWING NO. SD-54546-026	SHEET NO. 2 OF 2	
THIS DRAWING CONTAINS INFORMATION THAT IS PROPRIETARY TO MOLEX INCORPORATED AND SHOULD NOT BE USED WITHOUT WRITTEN PERMISSION.				SIZE B

DO NOT SCALE DRAWING