

SMA JACK

BODY, CRIMP TUBE, JAM NUT: BRASS  
PLATED NICKEL

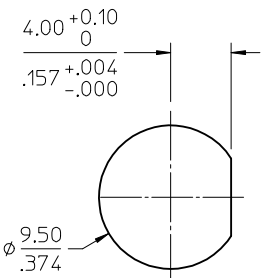
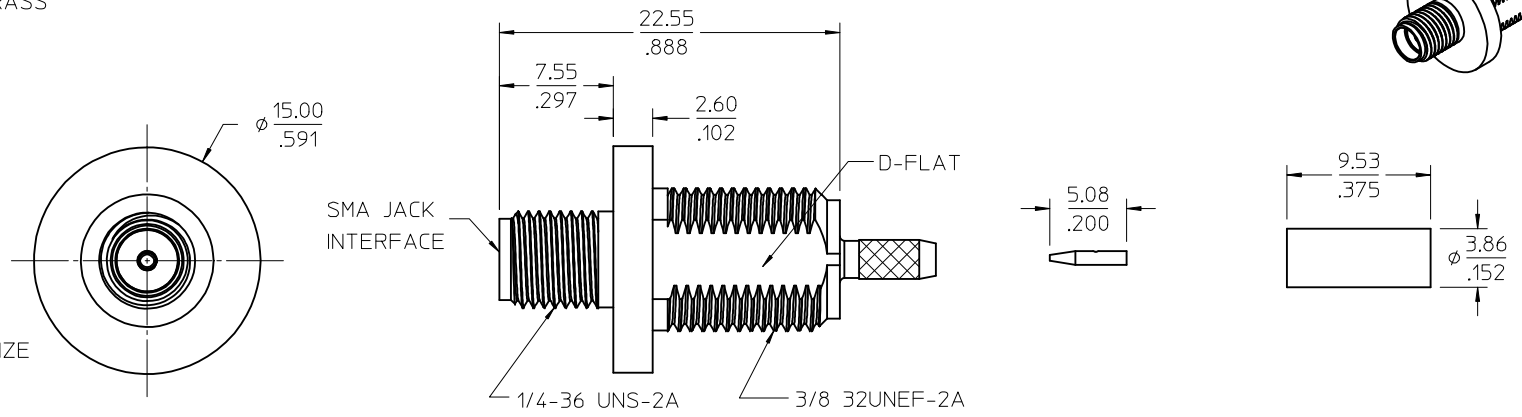
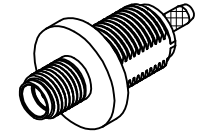
PIN CONTACT: BRASS  
PLATED GOLD

CONTACT: BERYLLIUM COPPER  
PLATED GOLD

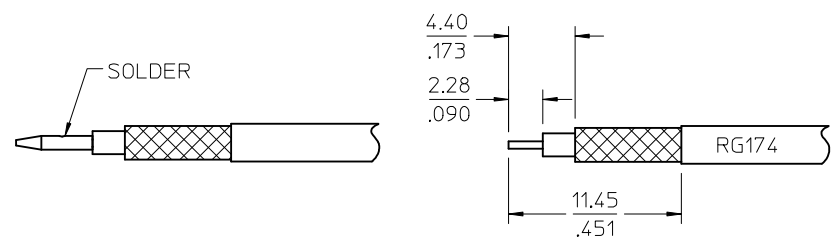
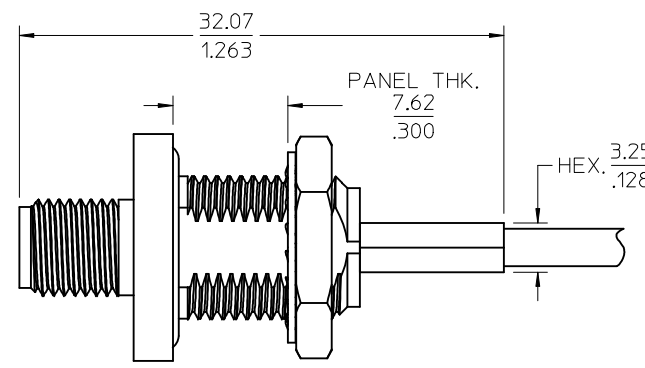
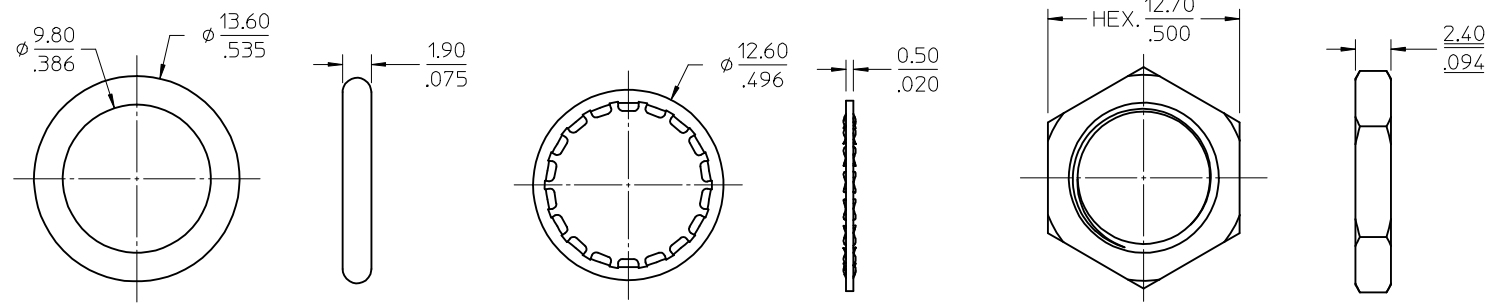
INSULATOR: TEFLON

LOCK WASHER: PHOSPHOR BRONZE  
PLATED NICKEL

GASKET: SILICONE RUBBER



RECOMMENDED  
PANEL CUTOUT



RECOMMENDED CABLE STRIPING DIM.

PART # 73251-5810

CHG: ORING, JAM NUT  
i. THREAD DIM. 3/8  
32UNEF-2A WAS M9  
BODY OD Ø15 WAS 12  
PER RFP13-E023  
EC NO: URF2013-0113  
2012/06/05  
DRWN: CWE102  
CHKD:  
APPR: MHUANG  
2012/09/06

REV	DESCRIPTION
0	QUALITY SYMBOLS
1	QUALITY SYMBOLS
2	QUALITY SYMBOLS

GENERAL TOLERANCES (UNLESS SPECIFIED)	
mm	INCH
4 PLACES ± .005	± .0002
3 PLACES ± .004	± .0001
2 PLACES ± .003	± .0001
1 PLACE ± .002	± .0001
0 PLACE ± .001	± .0001
ANGULAR ± 2°	
DRAFT WHERE APPLICABLE MUST REMAIN WITHIN DIMENSIONS	

DIMENSION STYLE	
MM/IN	
DRAWN BY	DATE
CWE102	2012/04/11
CHECKED BY	DATE
KERRIE	2012/04/11
APPROVED BY	DATE
MHUANG	2012/05/11
MATERIAL NO.	
732515810	

SCALE	DESIGN UNITS	THIRD ANGLE PROJECTION
	METRIC	
TITLE		
SMA JACK BULKHEAD 50 OHMS, IP65, FOR RG174 SMA-J		
<b>molex</b>		
DOCUMENT NO.		SHEET NO.
SD-73251-581		1 OF 1
THIS DRAWING CONTAINS INFORMATION THAT IS PROPRIETARY TO MOLEX INCORPORATED AND SHOULD NOT BE USED WITHOUT WRITTEN PERMISSION		