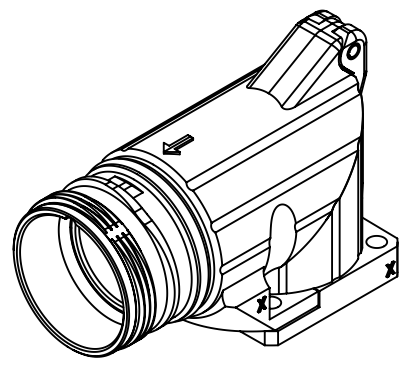
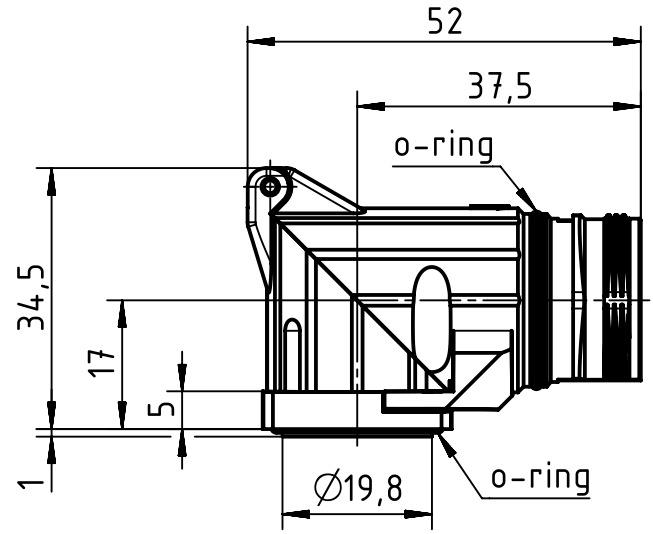
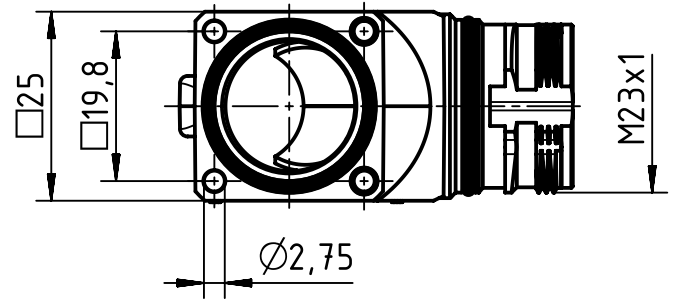
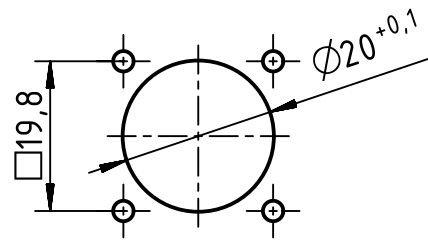


panel cut out



	All rights reserved Department EL PD	All Dimensions in mm Original Size DIN A4		Scale 1:1	Free size tol.	Ref.
		HARTING Electric GmbH & Co. KG D-32339 Espelkamp	Created by DYCKC	Inspected by GRUBES	Standardisation TIEMANNA	Date 2019-07-19
Title M23 HMB angled						Doc-Key / ECM-Nr. 100708820/UGD/001/C 500000154908
Type TB				Number 09 15 100 0901		Rev. C
						Page 1/1