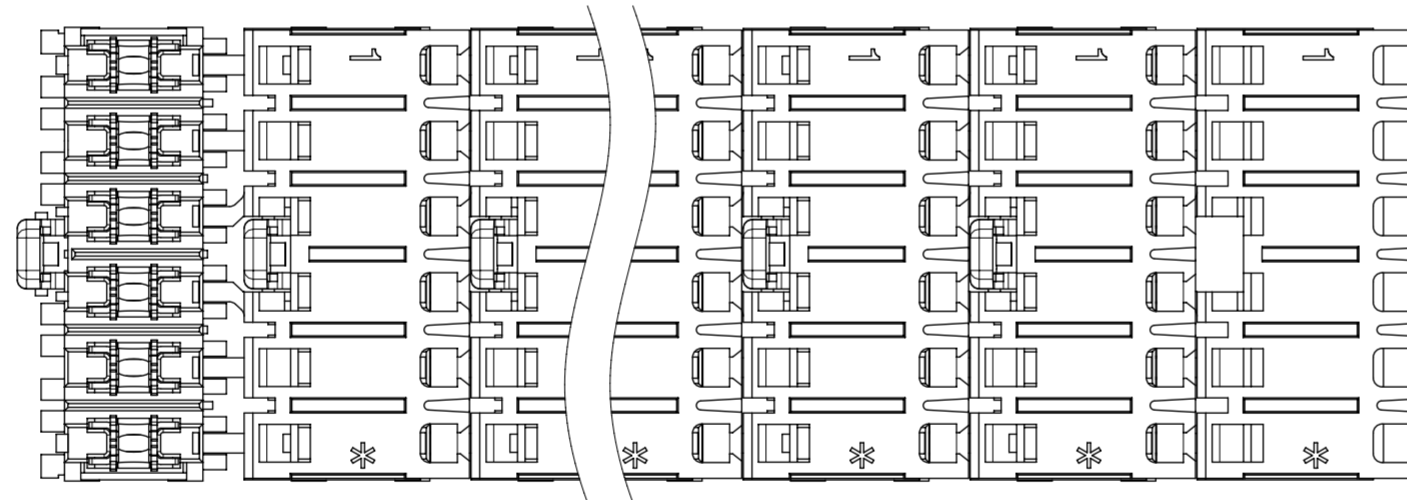
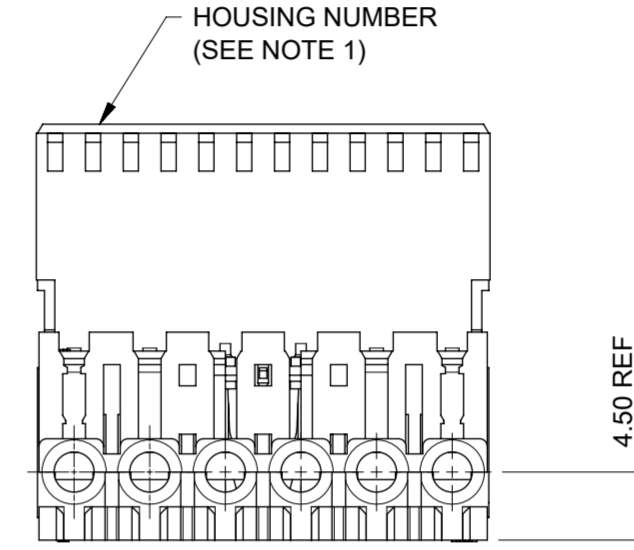
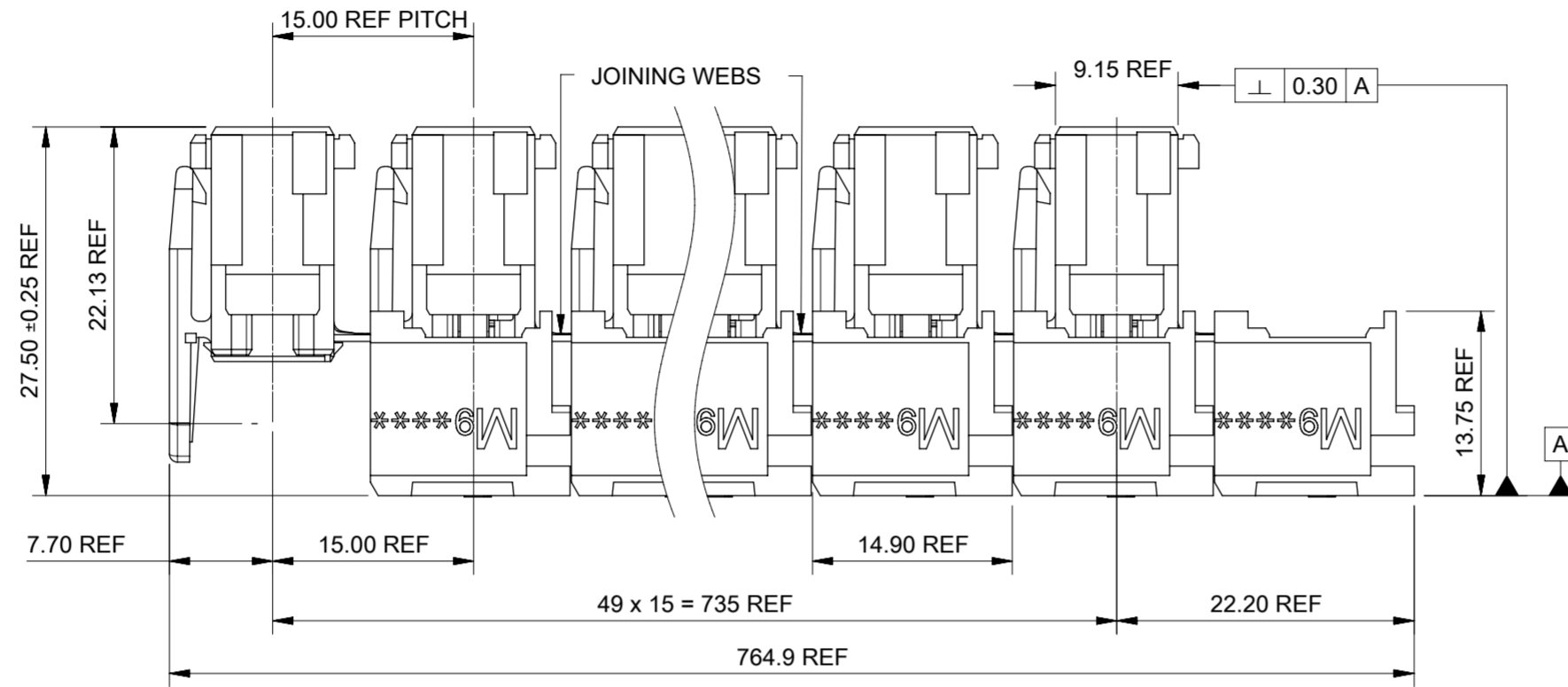
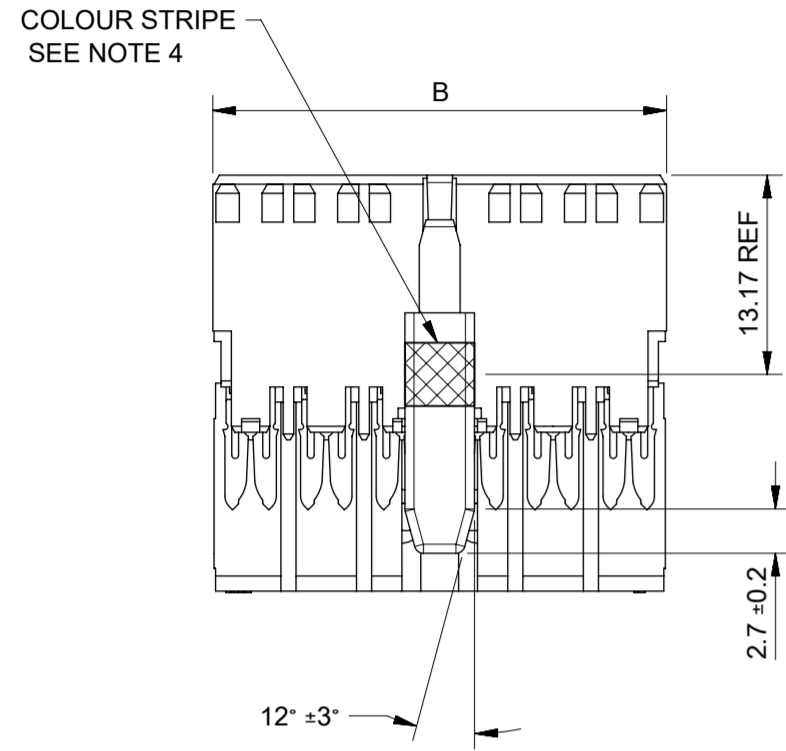
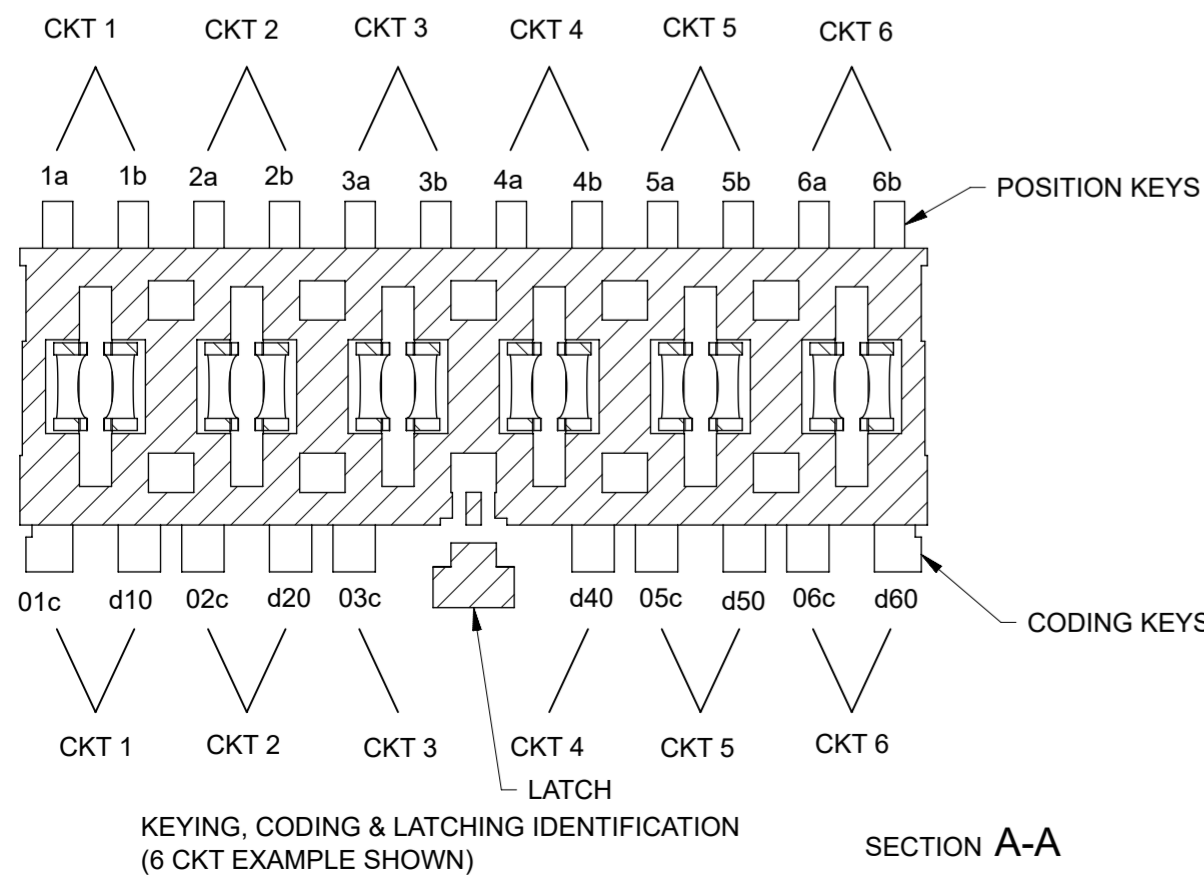


- NOTES:
- MATERIALS
HOUSING: PA 6, UL94 V-2
COLOUR: SEE TABLES SHEETS 2 to 9
TERMINALS: PHOSPHOR BRONZE, 0.40/(0.016) THICK REF.
PLATING: 5um/(200uin) MIN PURE Sn
 - PRODUCT CONFORMS TO SPECIFICATION PS-99020-0037
 - APPLICATION SPECIFICATION AS-99033-0004
 - SEE SUBSEQUENT SHEETS FOR PART NUMBERS SHOWING THE VARIOUS CODING, KEYING AND LATCHING OPTIONS.
COLOUR STRIPE AVAILABLE IN BLACK, GREEN, RED & YELLOW
 - PACKAGING SPECIFICATION PK-90833-001



Ckt Size	A	B
2	5.00	9.94 +/- 0.04
3	10.00	14.93 +/- 0.05
4	15.00	19.93 +/- 0.05
5	20.00	24.90 +/- 0.08
6	25.00	29.90 +/- 0.08
7	30.00	34.90 +/- 0.08
8	35.00	39.90 +/- 0.08
9	40.00	44.90 +/- 0.08
10	45.00	49.90 +/- 0.08
11	50.00	54.90 +/- 0.08
12	55.00	59.90 +/- 0.08

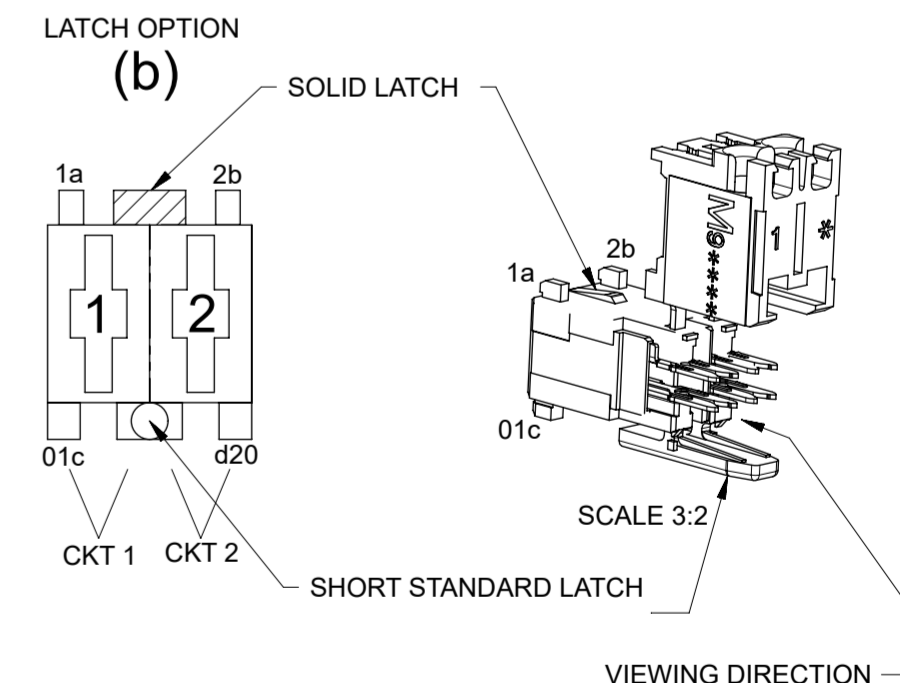
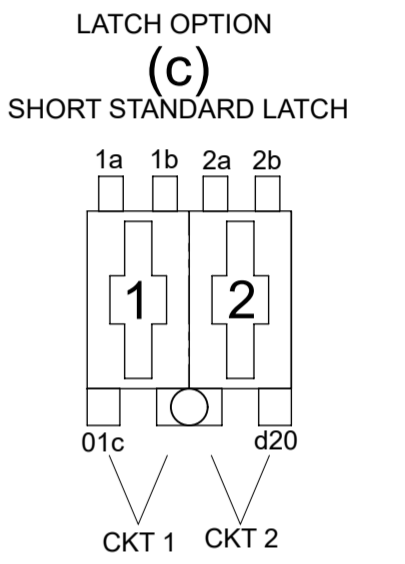
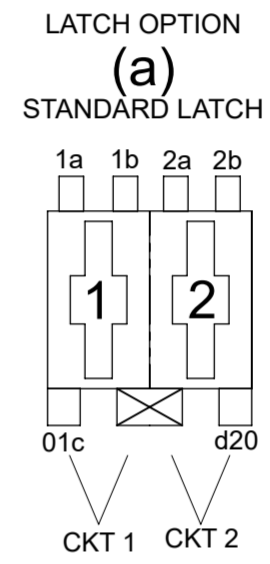
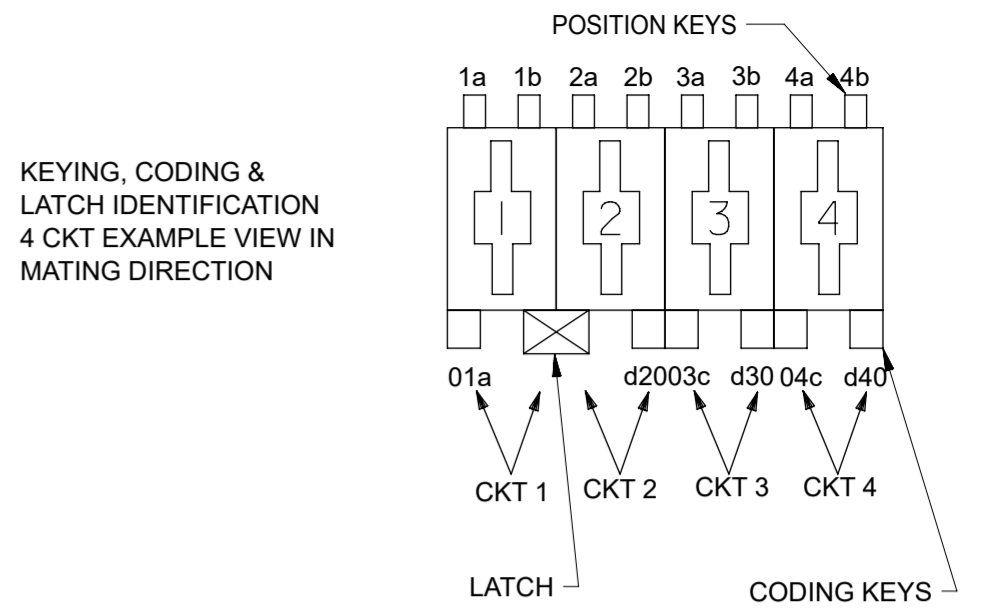


THIS DRAWING CONTAINS INFORMATION THAT IS PROPRIETARY TO MOLEX ELECTRONIC TECHNOLOGIES, LLC AND SHOULD NOT BE USED WITHOUT WRITTEN PERMISSION

DIMENSION UNITS	SCALE	CURRENT REV DESC:		molex
mm	2:1			
GENERAL TOLERANCES (UNLESS SPECIFIED)		EC NO: 675846		5MM APPLI-MATE 10A
ANGULAR TOL	± 0.5°	DRWN: MBN02	2021/08/30	
4 PLACES	±	CHK'D: MBN02	2021/08/30	
3 PLACES	±	APPR: SDEVITT	2021/09/28	PRODUCT CUSTOMER DRAWING
2 PLACES	± 0.05	INITIAL REVISION:		DOCUMENT NUMBER
1 PLACE	± 0.1	DRWN: CFISHER01	2016/03/02	917780001
0 PLACES	±	APPR: BRUTTLE	2016/11/01	DOC TYPE
DRAFT WHERE APPLICABLE MUST REMAIN WITHIN DIMENSIONS	THIRD ANGLE PROJECTION	DRAWING	SERIES	DOC PART
		A2-SIZE	91778	REVISION
		SEE CHARTS	GENERAL MARKET	000
				J2
				SHEET NUMBER
				1 OF 11

2 CIRCUIT									
MOLEX PART NO.	HOUSING NO.	COLOUR	POSITION KEYS	CODING KEYS	LATCH POSITION	CONFIGURATION	COLOUR STRIP	REF	RIBS
91778-0001	91778-9021	NATURAL	1a 1b 2a 2b	01c d20	1/2a		NONE	K00	NONE
91778-0002	91778-9021	NATURAL	1b 2a	01c d20	1/2a		NONE	K01	NONE
91778-0003	91778-9021	NATURAL	1a 2b	01c	1/2a		NONE	K02	NONE
91778-0004	91778-9021	NATURAL	2a	01c d20	1/2a		NONE	K03	NONE
91778-0005	91778-9021	NATURAL	1a 2b	d20	1/2a		NONE	K05	NONE
91778-0006	91778-9021	NATURAL	1b 2b	01c	1/2a		NONE	K09	NONE
91778-0007	91778-9021	NATURAL	1a 2a	01c	1/2a		NONE	K10	NONE
91778-0008	91778-9021	NATURAL	2b	01c d20	1/2a		NONE	K15	NONE
91778-0009	91778-9021	NATURAL	1a 1b	01c d20	1/2a		NONE	K47	NONE
91778-0010	91778-9021	NATURAL	2b	NONE	1/2a		NONE	K11	NONE
91778-0011	91778-9021	NATURAL	1a 1b	01c	1/2a		NONE	K04	NONE
91778-0012	91778-9021	NATURAL	1a	01c d20	1/2a		NONE	K12	NONE
91778-0013	91778-9021	NATURAL	1b 2a	01c	1/2a		NONE	K14	NONE
91778-0014	91778-9021	NATURAL	1a 1b 2a 2b	01c	1/2a		NONE	K33	NONE
91778-0016	91778-9021	NATURAL	1b	01c d20	1/2a		NONE	K16	NONE
91778-0017	91778-9021	NATURAL	1a 2b	NONE	1/2a		NONE	K06	NONE
91778-0018	91778-9021	NATURAL	2b	d20	1/2a		NONE	K38	NONE
91778-0019	91778-9021	NATURAL	1a 2a	01c d20	1/2a		NONE	K44	NONE
91778-0020	91778-9021	NATURAL	1b 2a 2b	d20	1/2a		NONE	K07	NONE
91778-0021	91778-9021	NATURAL	1a 1b 2a 2b	d20	1/2a		NONE	K34	NONE
91778-0022	91778-9021	NATURAL	1a 1b 2a 2b	01c d20	1/2a		BLACK	K00	NONE
91778-0023	91778-9021	NATURAL	NONE	01c d20	1/2a		RED	K54	NONE
91778-0024	91778-9025	NATURAL	1b 2a	01c	1/2c		NONE	K33	CKT 2
91778-0025	91778-9022	BLACK	1a 1b 2a 2b	d20	1/2a		NONE	K34	NONE
91778-0026	91778-9025	NATURAL	1b	01c d20	1/2c		NONE	K--	CKT 2
91778-0027	91778-9025	NATURAL	1a 1b 2a 2b	01c d20	1/2c		NONE	K--	CKT 2

2 CIRCUIT									
MOLEX PART NO.	HOUSING NO.	COLOUR	POSITION KEYS	CODING KEYS	LATCH POSITION	CONFIGURATION	COLOUR STRIP	REF	RIBS
91778-0028	91778-9024	NATURAL	NONE	01c	1/2b		NONE	K--	NONE
91778-0029	91778-9024	NATURAL	1a 2b	NONE	1/2b		NONE	K--	NONE
91778-0030	91778-9021	NATURAL	2a	01c	1/2a		NONE	K--	NONE
91778-0032	91778-9021	NATURAL	1a	NONE	1/2a		NONE	K--	NONE
91778-0033	91778-9021	NATURAL	1a 2b	NONE	1/2a		GREEN	K06	NONE
91778-0034	91778-9021	NATURAL	1a 2b	01c d20	1/2a		NONE	K48	NONE
91778-0038	91778-9024	NATURAL	2b	01c	1/2b		NONE	K--	NONE
91778-0039	91778-9021	NATURAL	1b	NONE	1/2a		NONE	K--	NONE
91778-0040	91778-9021	NATURAL	1b	d20	1/2a		RED	K--	NONE
91778-0042	91778-9021	NATURAL	NONE	NONE	1/2a		NONE	K--	NONE
91778-0043	91778-9024	NATURAL	2b	NONE	1/2b		NONE	K--	NONE
91778-0044	91778-9021	NATURAL	1a 1b 2a 2b	NONE	1/2a		NONE	K--	NONE
91778-0045	91778-9021	NATURAL	1b 2b	01c	1/2a		BLACK	K09	NONE
91778-0046	91778-9021	NATURAL	2b	d20	1/2a		RED	K38	NONE
91778-0047	91778-9021	NATURAL	1a 1b	d20	1/2a		NONE	K13	NONE
91778-0048	91778-9021	NATURAL	NONE	01c d20	1/2a		NONE	K54	NONE
91778-0049	91778-9021	NATURAL	1b	d20	1/2a		NONE	K--	NONE
91778-0050	91778-9021	NATURAL	1a 1b 2b	NONE	1/2a		RED	K43	NONE
91778-0051	91778-9021	NATURAL	1a 2a	01c	1/2a		RED	K10	NONE
91778-0052	91778-9021	NATURAL	2a	01c d20	1/2a		RED	K03	NONE



THIS DRAWING CONTAINS INFORMATION THAT IS PROPRIETARY TO MOLEX ELECTRONIC TECHNOLOGIES, LLC AND SHOULD NOT BE USED WITHOUT WRITTEN PERMISSION

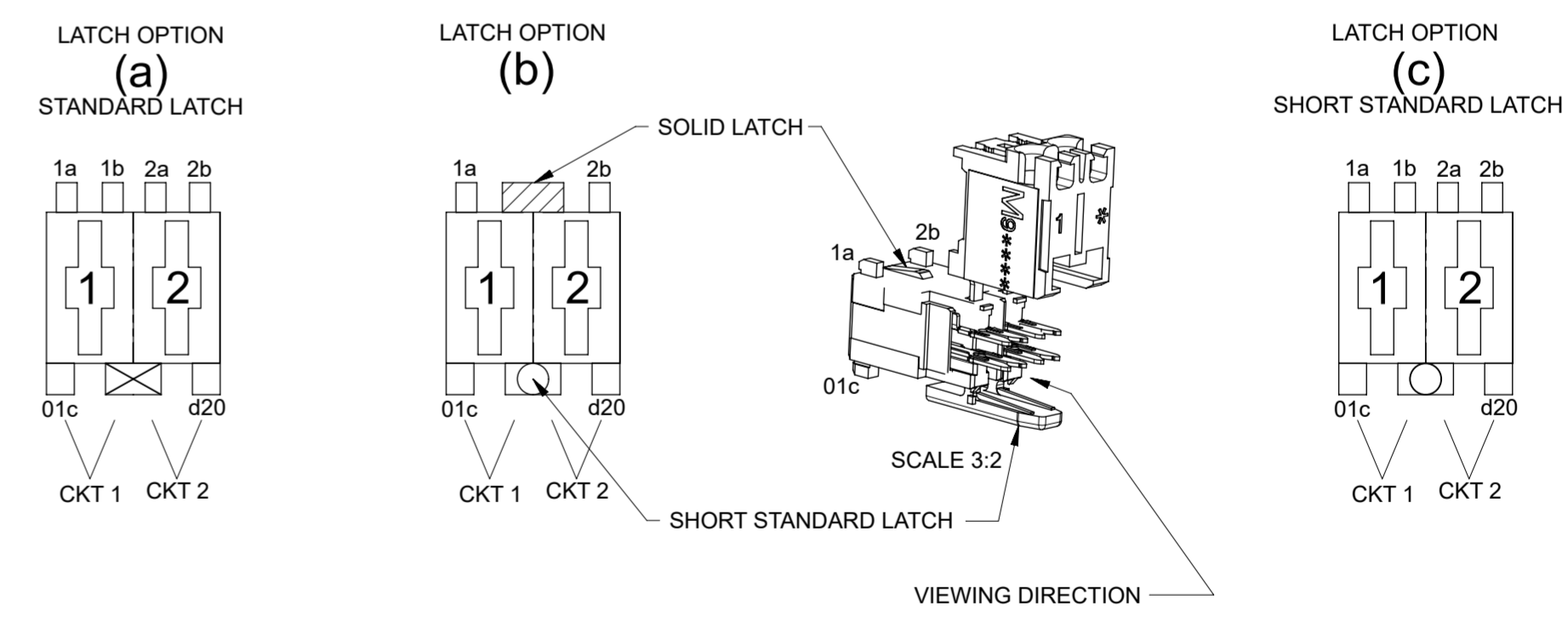
DIMENSION UNITS	SCALE	CURRENT REV DESC:	
mm	1:1		
GENERAL TOLERANCES (UNLESS SPECIFIED)		EC NO: 675846	
ANGULAR TOL	± 0.5°	DRWN: MBN02	2021/08/30
4 PLACES	±	CHK'D: MBN02	2021/08/30
3 PLACES	±	APPR: SDEVITT	2021/09/28
2 PLACES	± 0.05	INITIAL REVISION:	
1 PLACE	± 0.1	DRWN: CFISHER01	2016/03/02
0 PLACES	±	APPR: BRUTTLE	2016/11/01
DRAFT WHERE APPLICABLE MUST REMAIN WITHIN DIMENSIONS	THIRD ANGLE PROJECTION	DRAWING	SERIES
		A2-SIZE	91778
DOCUMENT NUMBER		MATERIAL NUMBER	CUSTOMER
917780001		SEE CHARTS	GENERAL MARKET
DOC TYPE	DOC PART	REVISION	
PSD	000	J2	
SHEET NUMBER		2 OF 11	

3 CIRCUIT

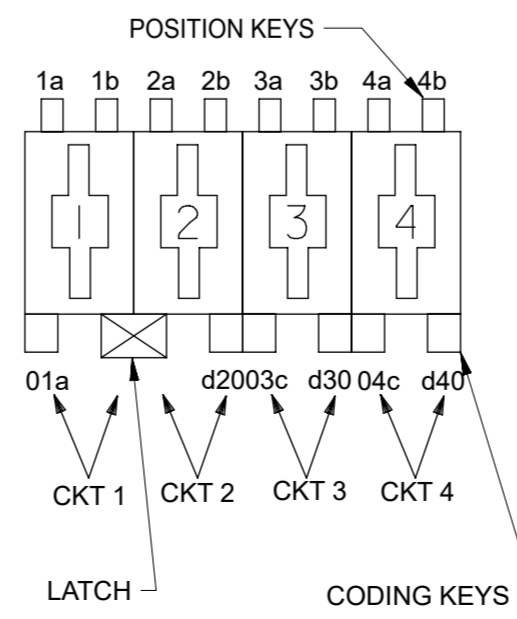
MOLEX PART NO.	HOUSING NO.	COLOUR	POSITION KEYS	CODING KEYS	LATCH POSITION	CONFIGURATION	COLOUR STRIP	REF	RIBS
91778-0101	91778-9031	NATURAL	1a 1b 2a 2b 3a 3b	01c d20 03c d30	1/2a		NONE	K00	NONE
91778-0102	91778-9032	NATURAL	1a 1b 2a 2b 3a 3b	01c d20 02c d30	2/3a		NONE	K90	NONE
91778-0103	91778-9031	NATURAL	1b	01c d20	1/2a		NONE	K01	NONE
91778-0104	91778-9031	NATURAL	1a	03c	1/2a		NONE	K04	NONE
91778-0105	91778-9031	NATURAL	1a 1b	d30	1/2a		NONE	K05	NONE
91778-0106	91778-9031	NATURAL	1a 2a 2b	d30	1/2a		NONE	K33	NONE
91778-0107	91778-9032	NATURAL	1a 1b 2a 2b 3a 3b	d10 d30	2/3a		NONE	K38	NONE
91778-0108	91778-9031	NATURAL	1a 3a	01c	1/2a		NONE	K07	NONE
91778-0109	91778-9031	NATURAL	1b 3a	01c	1/2a		NONE	K03	NONE
91778-0110	91778-9032	NATURAL	2a	02c d30	2/3a		NONE	K57	NONE
91778-0111	91778-9031	NATURAL	2b	d20	1/2a		NONE	K08	NONE
91778-0112	91778-9031	NATURAL	1b	d20 03c	1/2a		NONE	K09	NONE
91778-0113	91778-9032	NATURAL	1a 1b 2a 3a	01c 02c d30	2/3a		NONE	K12	NONE
91778-0114	91778-9032	NATURAL	1a 2a	d30	2/3a		NONE	K44	NONE
91778-0115	91778-9032	NATURAL	2a	d10 d30	2/3a		NONE	K37	NONE
91778-0116	91778-9031	NATURAL	3b	01c d30	1/2a		NONE	K02	NONE
91778-0117	91778-9032	NATURAL	2b 3b	d10 02c	2/3a		NONE	K--	NONE
91778-0118	91778-9032	NATURAL	2a	d10 02c d30	2/3a		NONE	K--	NONE
91778-0119	91778-9031	NATURAL	1a	01c d20 03c	1/2a		NONE	K192	NONE
91778-0120	91778-9031	NATURAL	1b 2a	01c d20	1/2a		NONE	K--	NONE
91778-0121	91778-9032	NATURAL	2a	01c d10 02c d30	2/3a		BLACK	K--	NONE

3 CIRCUIT

MOLEX PART NO.	HOUSING NO.	COLOUR	POSITION KEYS	CODING KEYS	LATCH POSITION	CONFIGURATION	COLOUR STRIP	REF	RIBS
91778-0122	91778-9033	NATURAL	1a 2b 3a 3b	d20	1/2 c		NONE	K--	CKT 2
91778-0123	91778-9031	NATURAL	1a	NONE	1/2a		NONE	K--	NONE
91778-0124	91778-9035	BLACK	1a 1b 2a 2b 3a 3b	d10	2/3a		NONE	K41	NONE
91778-0125	91778-9031	NATURAL	1a 1b 2a 2b 3a 3b	d20	1/2a		NONE	K40	NONE
91778-0126	91778-9036	NATURAL	1a 2b 3a 3b	d20	1/2 b		NONE	K--	NONE
91778-0127	91778-9032	NATURAL	2a 2b 3a 3b	01c d30	2/3a		NONE	K--	NONE
91778-0128	91778-9031	NATURAL	2a 2b	01c d20	1/2a		NONE	K--	NONE
91778-0129	91778-9032	NATURAL	2a	d10	2/3a		NONE	K--	NONE
91778-0130	91778-9031	NATURAL	NONE	01c d30	1/2a		NONE	K--	NONE
91778-0131	91778-9032	NATURAL	2b 3b	d10 02c	2/3a		GREEN	K--	NONE
91778-0132	91778-9031	NATURAL	2b	d20	1/2a		RED	K--	NONE
91778-0133	91778-9031	NATURAL	1a 1b 2a 2b	d30	1/2a		NONE	K--	NONE



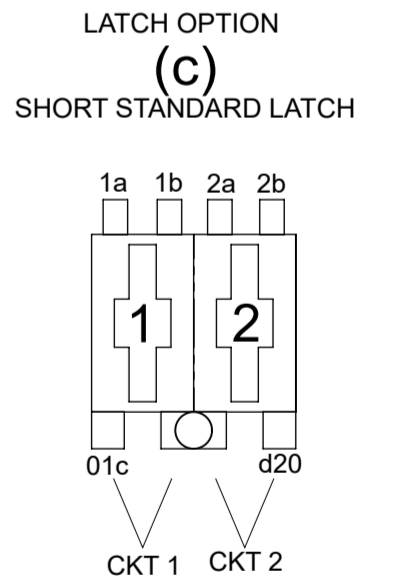
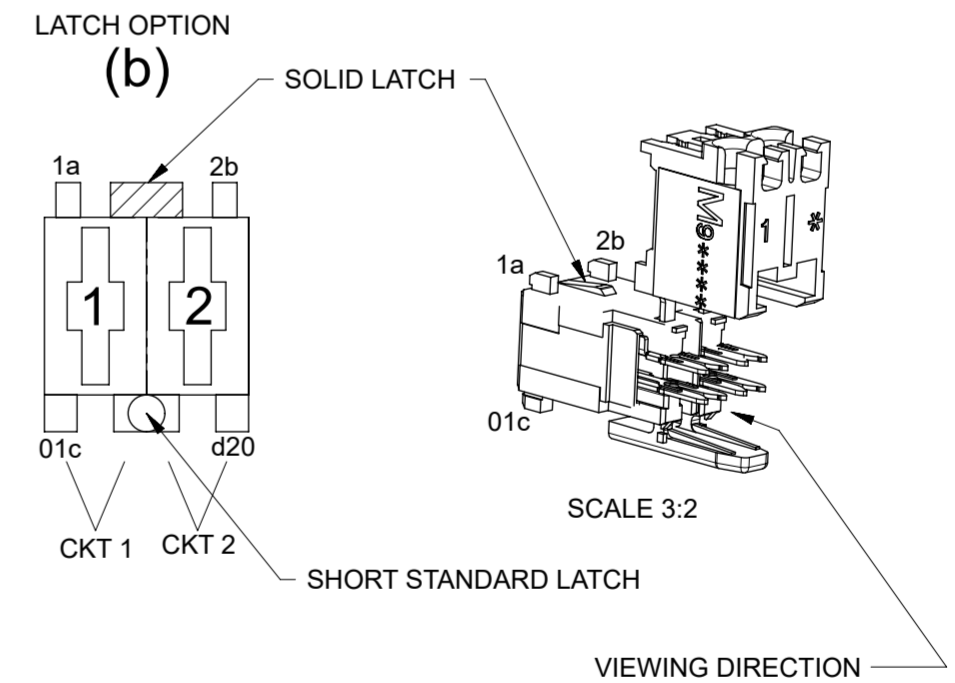
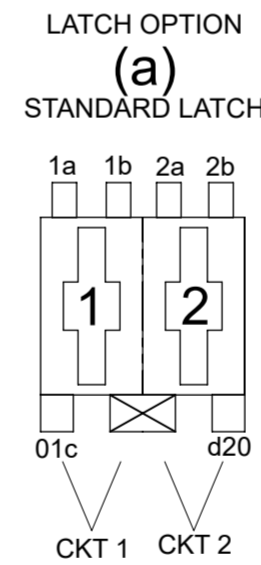
KEYING, CODING & LATCH IDENTIFICATION
4 CKT EXAMPLE VIEW IN MATING DIRECTION



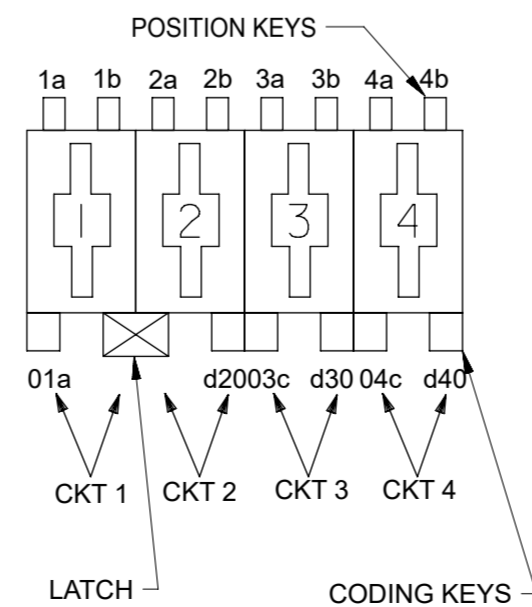
THIS DRAWING CONTAINS INFORMATION THAT IS PROPRIETARY TO MOLEX ELECTRONIC TECHNOLOGIES, LLC AND SHOULD NOT BE USED WITHOUT WRITTEN PERMISSION									
DIMENSION UNITS		SCALE		CURRENT REV DESC:					
mm		1:1							
GENERAL TOLERANCES (UNLESS SPECIFIED)				EC NO: 675846					
ANGULAR TOL ± 0.5°				DRWN: MBN02 2021/08/30					
4 PLACES ±				CHK'D: MBN02 2021/08/30					
3 PLACES ±				APPR: SDEVITT 2021/09/28					
2 PLACES ± 0.05				INITIAL REVISION:					
1 PLACE ± 0.1				DRWN: CFISHER01 2016/03/02					
0 PLACES ±				APPR: BRUTTLE 2016/11/01					
DRAFT WHERE APPLICABLE MUST REMAIN WITHIN DIMENSIONS		THIRD ANGLE PROJECTION		DRAWING		SERIES		MATERIAL NUMBER	
				A2-SIZE		91778		SEE CHARTS	
CUSTOMER				GENERAL MARKET					
DOCUMENT NUMBER				DOC TYPE		DOC PART		REVISION	
917780001				PSD		000		J2	
PRODUCT CUSTOMER DRAWING									
SHEET NUMBER				4 OF 11					

3 CIRCUIT									
MOLEX PART NO.	HOUSING NO.	COLOUR	POSITION KEYS	CODING KEYS	LATCH POSITION	CONFIGURATION	COLOUR STRIP	REF	RIBS
91778-0135	91778-9032	NATURAL	NONE	d10 02c d30	2/3a		NONE	K--	NONE
91778-0136	91778-9032	NATURAL	1a 2a	d10	2/3a		NONE	K42	NONE
91778-0137	91778-9032	NATURAL	1a 2b 3a 3b	01c d30	2/3a		NONE	K--	NONE
91778-0138	91778-9031	NATURAL	2b	01c d20 03c d30	1/2a		NONE	K--	NONE
91778-0139	91778-9031	NATURAL	3b	01c 03c	1/2a		NONE	K--	NONE
91778-0142	91778-9031	NATURAL	1a 3b	01c	1/2a		NONE	K06	NONE
91778-0143	91778-9037	NATURAL	1a 1b 2a 3b	d10 d30	2/3b		NONE	K--	NONE
91778-0144	91778-9032	NATURAL	1a 2b	NONE	2/3a		NONE	K--	NONE
91778-0145	91778-9032	NATURAL	3b	01c d30	2/3a		NONE	K--	NONE
91778-0146	91778-9032	NATURAL	1a 1b 2a 2b 3a 3b	01c d30	2/3a		NONE	K--	NONE
91778-0147	91778-9031	NATURAL	1a 1b	d20	1/2a		NONE	K--	NONE
91778-0149	91778-9031	NATURAL	1a 3a	03c	1/2a		NONE	K98	NONE
91778-0150	91778-9032	NATURAL	1a 3b	d10	2/3a		NONE	K203	NONE
91778-0151	91778-9031	NATURAL	1b 2a 2b 3a	01c	1/2a		NONE	K--	NONE
91778-0153	91778-9031	NATURAL	1a	01c d20 03c	1/2a		NONE	K192	NONE
91778-0154	91778-9032	NATURAL	1b 2a 2b 3b	NONE	2/3a		RED	K124	NONE
91778-0155	91778-9032	NATURAL	2b 3b	d10	2/3a		RED	K84	NONE
91778-0156	91778-9031	NATURAL	2a	01c d30	1/2a		NONE	K162	NONE
91778-0157	91778-9031	NATURAL	1a 1b 2a 2b	01c d20 03c	1/2a		NONE	K--	NONE

3 CIRCUIT									
MOLEX PART NO.	HOUSING NO.	COLOUR	POSITION KEYS	CODING KEYS	LATCH POSITION	CONFIGURATION	COLOUR STRIP	REF	RIBS
91778-0158	91778-9037	NATURAL	2a 3b	NONE	2/3b		NONE	K--	NONE
91778-0159	91778-9037	NATURAL	NONE	NONE	2/3b		NONE	K--	NONE
91778-0160	91778-9037	NATURAL	1a 3b	01c	2/3b		NONE	K--	NONE
91778-0161	91778-9037	NATURAL	1b 2a 3b	02c d30	2/3b		NONE	K--	NONE
91778-0162	91778-9032	NATURAL	2a 2b	NONE	2/3a		NONE	K--	NONE
91778-0163	91778-9032	NATURAL	1a 3b	NONE	2/3a		NONE	K--	NONE
91778-0164	91778-9031	NATURAL	1a	d20	1/2a		NONE	K63	NONE
91778-0165	91778-9031	NATURAL	1a 1b 2a 2b 3a 3b	01c d20 03c	1/2a		BLUE	K94	NONE
91778-0166	91778-9038	NATURAL	3b	01c 03c	1/2c		NONE	K--	NONE



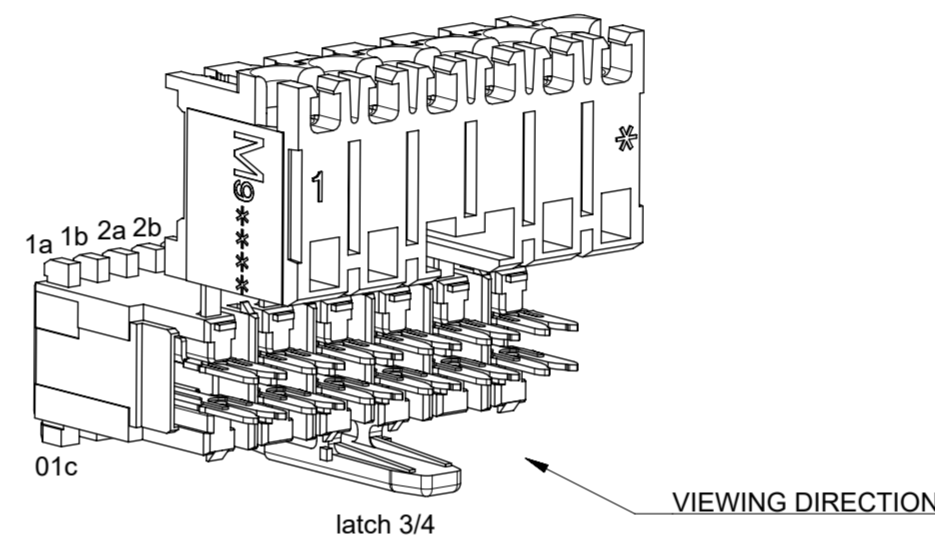
KEYING, CODING & LATCH IDENTIFICATION
4 CKT EXAMPLE VIEW IN MATING DIRECTION



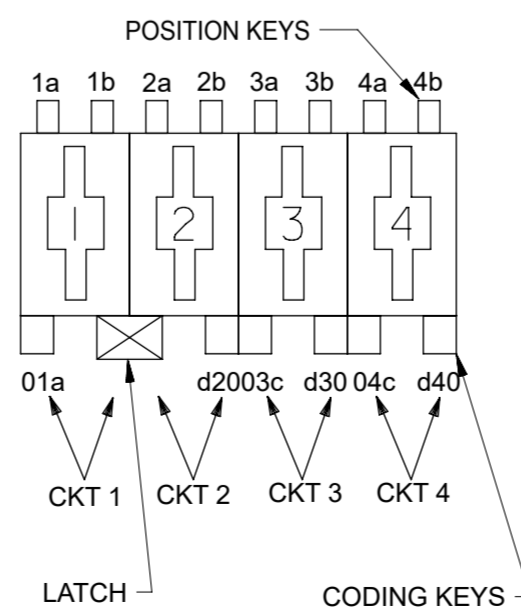
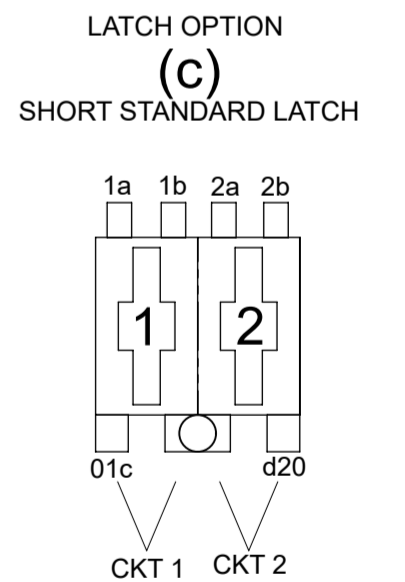
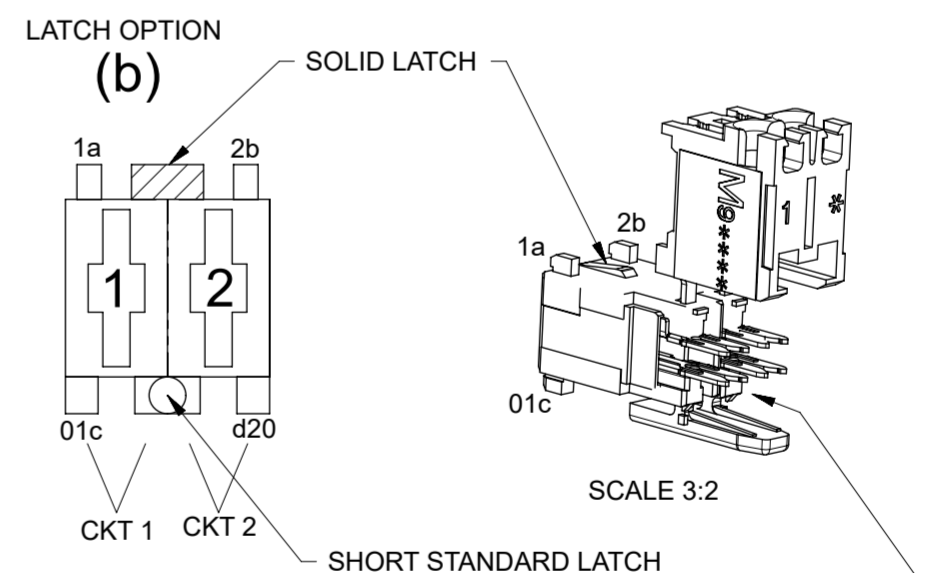
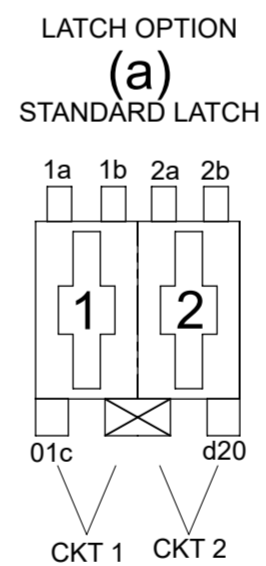
THIS DRAWING CONTAINS INFORMATION THAT IS PROPRIETARY TO MOLEX ELECTRONIC TECHNOLOGIES, LLC AND SHOULD NOT BE USED WITHOUT WRITTEN PERMISSION									
DIMENSION UNITS		SCALE		CURRENT REV DESC:					
mm		1:1							
GENERAL TOLERANCES (UNLESS SPECIFIED)				EC NO: 675846					
ANGULAR TOL ± 0.5°				DRWN: MBN02		2021/08/30			
4 PLACES ±				CHK'D: MBN02		2021/08/30			
3 PLACES ±				APPR: SDEVITT		2021/09/28			
2 PLACES ± 0.05				INITIAL REVISION:					
1 PLACE ± 0.1				DRWN: CFISHER01		2016/03/02			
0 PLACES ±				APPR: BRUTTLE		2016/11/01			
DRAFT WHERE APPLICABLE MUST REMAIN WITHIN DIMENSIONS		THIRD ANGLE PROJECTION		DRAWING		SERIES		MATERIAL NUMBER	
				A2-SIZE		91778		SEE CHARTS	
CUSTOMER				DOCUMENT NUMBER		DOC TYPE		DOC PART	
GENERAL MARKET				917780001		PSD		000	
SHEET NUMBER				REVISION		REVISED		DATE	
5 OF 11				J2					

4 CIRCUIT									
MOLEX PART NO.	HOUSING NO.	COLOUR	POSITION KEYS	CODING KEYS	LATCH POSITION	CONFIGURATION	COLOUR STRIP	REF	RIBS
91778-0201	91778-9041	NATURAL	1a 1b 2a 2b 3a 3b 4a 4b	01c d20 03c d40	1/2a 3/4a		NONE	K00	NONE
91778-0202	91778-9041	NATURAL	1b	03c d40	1/2a 3/4a		NONE	K01	NONE
91778-0203	91778-9041	NATURAL	1a 1b 2a 2b 3a 3b 4a 4b	d20 03c	1/2a 3/4a		NONE	K35	NONE
91778-0204	91778-9041	NATURAL	1b	d20 03c	1/2a 3/4a		NONE	K38	NONE
91778-0205	91778-9041	NATURAL	1a 4b	d40	1/2a 3/4a		NONE	K03	NONE
91778-0206	91778-9041	NATURAL	1a 3a 3b	01c d20 d40	1/2a 3/4a		NONE	K32	NONE
91778-0207	91778-9041	NATURAL	1b 2a 3a 4b	01c d40	1/2a 3/4a		NONE	K37	NONE
91778-0208	91778-9041	NATURAL	1a 4b	01c	1/2a 3/4a		NONE	K02	NONE
91778-0209	91778-9042	NATURAL	3b	d30	2/3a		NONE	K04	NONE
91778-0210	91778-9041	NATURAL	1a 1b 3a 3b	01c 03c	1/2a 3/4a		NONE	K93	NONE
91778-0211	91778-9041	NATURAL	1a 2a 4a	01c 03c d40	1/2a 3/4a		NONE	K43	NONE
91778-0212	91778-9041	NATURAL	1a 1b 3a 3b	01c d20 03c d40	1/2a 3/4a		NONE	K--	NONE
91778-0213	91778-9043	NATURAL	1a 1b 3a 4a 4b	01c d20 03c d30 04c d40	1/2a		NONE	K--	NONE
91778-0214	91778-9041	NATURAL	1b	03c d40	1/2a 3/4a		GREEN	K--	NONE
91778-0215	91778-9041	NATURAL	2a 3b	NONE	1/2a 3/4a		BLACK	K--	NONE
91778-0216	91778-9041	NATURAL	1a 1b 2a 3b 4b	d20 d40	1/2a 3/4a		NONE	K45	NONE
91778-0217	91778-9041	NATURAL	2a 3b	01c d20	1/2a 3/4a		NONE	K23	NONE
91778-0218	91778-9041	NATURAL	1a 1b 4a 4b	01c d20 03c d40	1/2a 3/4a		YELLOW	K--	NONE
91778-0219	91778-9041	NATURAL	1a 4a 4b	01c d20 03c	1/2a 3/4a		NONE	K--	NONE
91778-0220	91778-9041	NATURAL	1a 1b 2a 3a 4b	d20 d40	1/2a 3/4a		NONE	K--	NONE

4 CIRCUIT									
MOLEX PART NO.	HOUSING NO.	COLOUR	POSITION KEYS	CODING KEYS	LATCH POSITION	CONFIGURATION	COLOUR STRIP	REF	RIBS
91778-0221	91778-9043	NATURAL	2a 4b	01c d30	1/2a		NONE	K192	NONE
91778-0222	91778-9041	NATURAL	2a 4b	d20	1/2a 3/4a		NONE	K07	NONE
91778-0223	91778-9044	NATURAL	1a 1b 2a 2b 3a 4b	01c d40	3/4a		NONE	K--	NONE
91778-0224	91778-9043	NATURAL	1a 1b 2a 2b 3a 4b	01c d40	1/2a		NONE	K--	NONE
91778-0225	91778-9042	NATURAL	1a 1b 2a 2b 3a 4b	01c d40	2/3a		NONE	K--	NONE
91778-0226	91778-9045	NATURAL	1a 2b	04c	1/2b 3/4b SHORT LATCH 1/2		NONE	K--	NONE
91778-0227	91778-9041	NATURAL	1a	03c d40	1/2 3/4		NONE	K--	NONE



SCALE 2:1



KEYING, CODING & LATCH IDENTIFICATION
4 CKT EXAMPLE VIEW IN
MATING DIRECTION

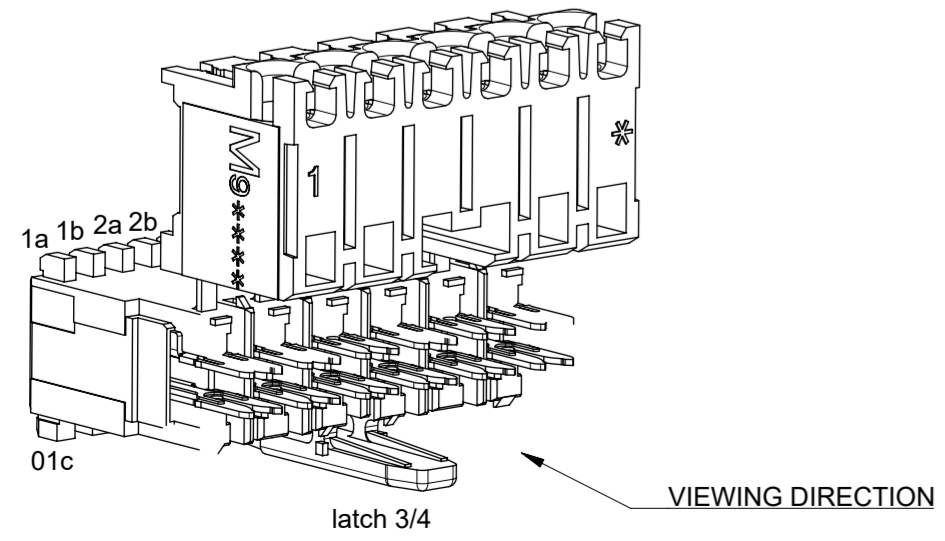
THIS DRAWING CONTAINS INFORMATION THAT IS PROPRIETARY TO MOLEX ELECTRONIC TECHNOLOGIES, LLC AND SHOULD NOT BE USED WITHOUT WRITTEN PERMISSION									
DIMENSION UNITS		SCALE		CURRENT REV DESC:					
mm		1:1							
GENERAL TOLERANCES (UNLESS SPECIFIED)									
ANGULAR TOL		± 0.5°		EC NO: 675846					
4 PLACES		±		DRWN: MBN02 2021/08/30					
3 PLACES		±		CHK'D: MBN02 2021/08/30					
2 PLACES		± 0.05		APPR: SDEVITT 2021/09/28					
1 PLACE		± 0.1		INITIAL REVISION:					
0 PLACES		±		DRWN: CFISHER01 2016/03/02					
				APPR: BRUTTLE 2016/11/01					
DRAFT WHERE APPLICABLE MUST REMAIN WITHIN DIMENSIONS		THIRD ANGLE PROJECTION		DRAWING		SERIES		MATERIAL NUMBER	
				A2-SIZE		91778		SEE CHARTS	
DOCUMENT STATUS		P1		RELEASE DATE		2021/09/28 05:25:32		CUSTOMER	
								GENERAL MARKET	
DOCUMENT NUMBER		917780001		DOC TYPE		PSD		DOC PART	
								000	
								J2	
								SHEET NUMBER	
								6 OF 11	

5 CIRCUIT

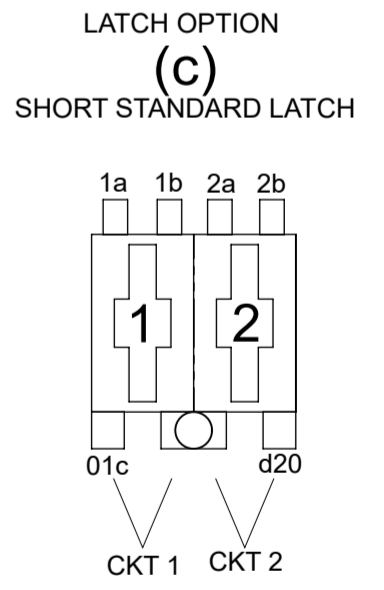
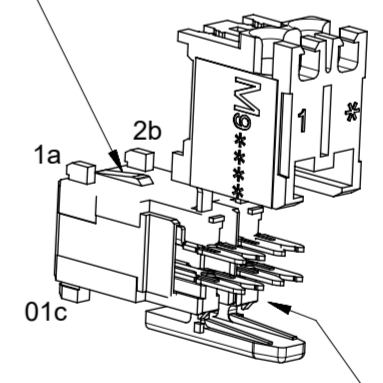
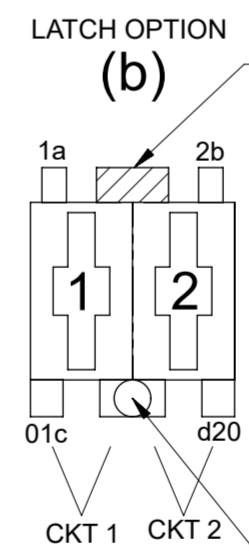
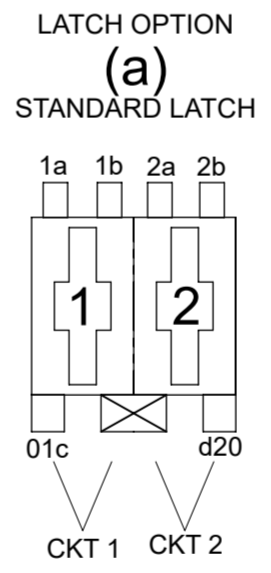
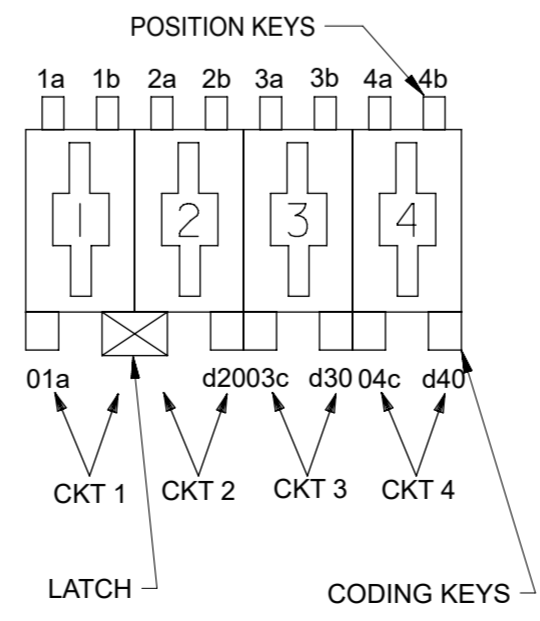
MOLEX PART NO.	HOUSING NO.	COLOUR	POSITION KEYS	CODING KEYS	LATCH POSITION	CONFIGURATION	COLOUR STRIP	REF	RIBS
91778-0301	91778-9053	NATURAL	1a 3a	01c d30	1/2a 4/5a		NONE	K30	NONE
91778-0302	91778-9051	NATURAL	1a 5b	01c d20 03c d50	1/2a 3/4a		NONE	K31	NONE
91778-0303	91778-9052	NATURAL	2a	01c d50	2/3a 4/5a		NONE	K43	NONE
91778-0304	91778-9052	NATURAL	1a 1b 2a 2b 3a 3b 4a 4b 5a 5b	01c d50	2/3a 4/5a		NONE	K42	NONE
91778-0305	91778-9052	NATURAL	1a 1b 2a 2b 3a 3b 4a 4b 5a 5b	01c d10 02c d30 04c d50	2/3a 4/5a		NONE	K92	NONE
91778-0306	91778-9051	NATURAL	1a 1b 2a 2b 3a 3b 4a 4b 5a 5b	01c d20 03c d40 05c d50	1/2a 3/4a		NONE	K00	NONE
91778-0307	91778-9053	NATURAL	1a 1b 2a 2b 3a 3b 4a 4b 5a 5b	01c d20 03c d30 04c d50	1/2a 4/5a		NONE	K90	NONE
91778-0308	91778-9051	NATURAL	2a 4b	01c d20 d40	1/2a 3/4a		NONE	K44	NONE
91778-0309	91778-9053	NATURAL	1a 3a	01c d30 d50	1/2a 4/5a		NONE	K49	NONE
91778-0310	91778-9051	NATURAL	NONE	01c d40	1/2a 3/4a		NONE	K--	NONE
91778-0313	91778-9054	NATURAL	1a 2b 3b 4b 5b	d10 02c 04c d50	4/5a		NONE	K--	NONE
91778-0314	91778-9054	NATURAL	5b	01c d20 03c d50	4/5a		NONE	K--	NONE
91778-0315	91778-9051	NATURAL	1a 1b 2a 2b 3a 3b 4a 4b 5a 5b	d20 d40	1/2a 3/4a		NONE	K84	NONE
91778-0316	91778-9055	NATURAL	5b	d30	1/2a		NONE	K--	NONE
91778-0317	91778-9053	NATURAL	2b	d20 d30	1/2a 4/5a		NONE	K--	NONE
91778-0318	91778-9056	NATURAL	1a 5b	d20	3/4a		NONE	K--	NONE
91778-0319	91778-9053	NATURAL	3b	d30	1/2a 4/5a		NONE	K--	NONE
91778-0320	91778-9051	NATURAL	3b	01c d20 03c d40	1/2a 3/4a		NONE	K--	NONE

5 CIRCUIT

MOLEX PART NO.	HOUSING NO.	COLOUR	POSITION KEYS	CODING KEYS	LATCH POSITION	CONFIGURATION	COLOUR STRIP	REF	RIBS
91778-0321	91778-9053	NATURAL	1a 4a	d30	1/2a 4/5a		NONE	K--	NONE
91778-0322	91778-9057	NATURAL	3a	03c	1/2c		NONE	K--	NONE
91778-0323	91778-9057	NATURAL	3b	d30	1/2c		NONE	K--	NONE
91778-0324	91778-9053	NATURAL	2b	d20	1/2a 4/5a		NONE	K02	NONE

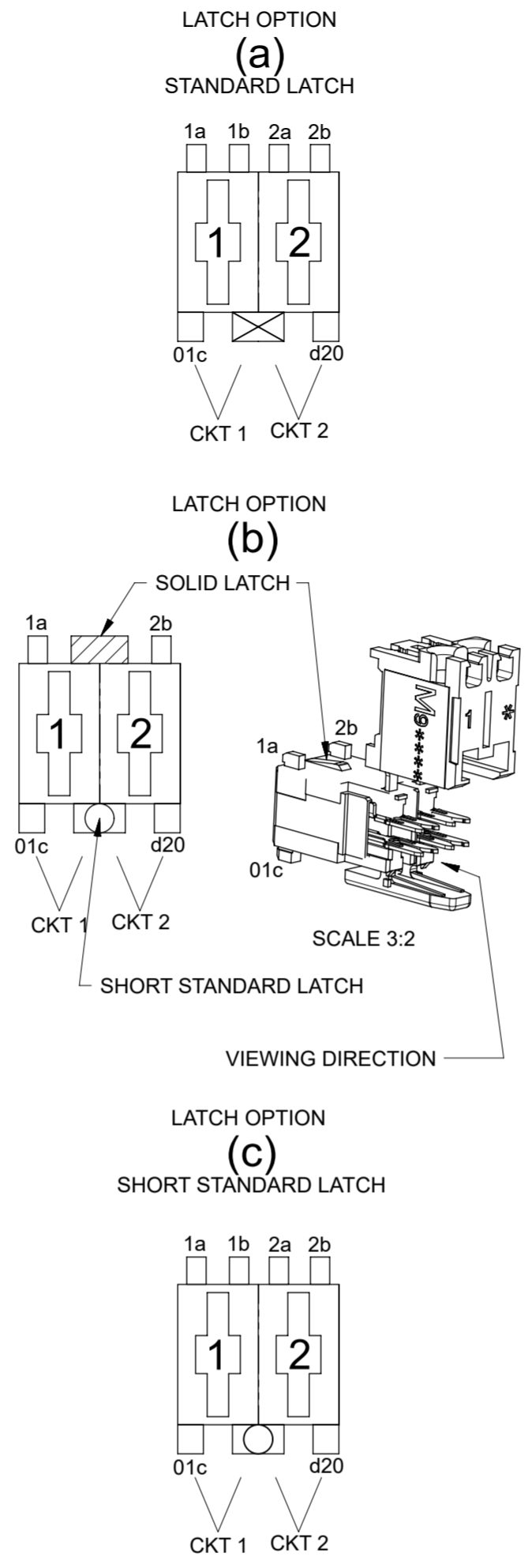


KEYING, CODING & LATCH IDENTIFICATION
4 CKT EXAMPLE VIEW IN MATING DIRECTION

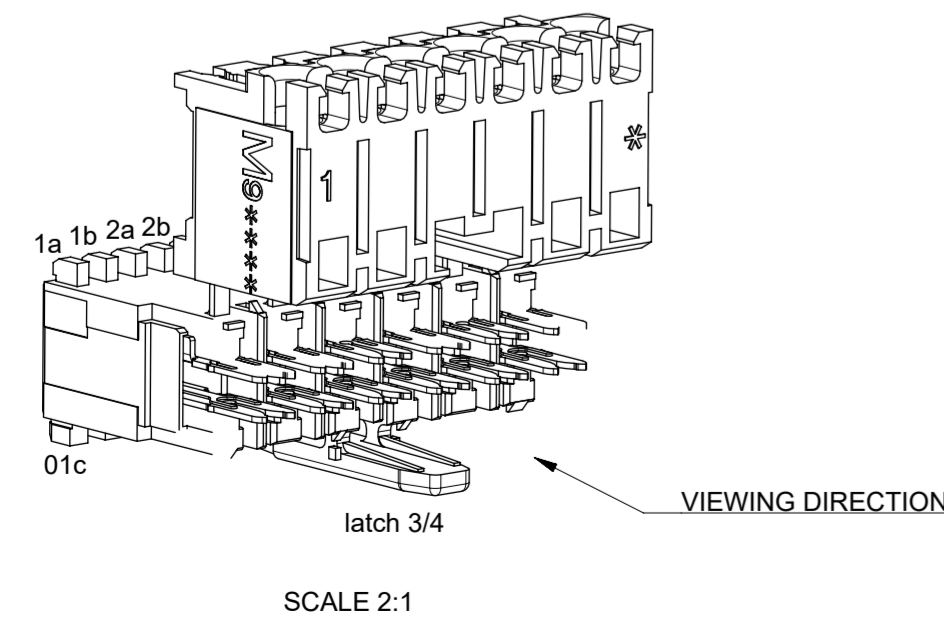


THIS DRAWING CONTAINS INFORMATION THAT IS PROPRIETARY TO MOLEX ELECTRONIC TECHNOLOGIES, LLC AND SHOULD NOT BE USED WITHOUT WRITTEN PERMISSION									
DIMENSION UNITS: mm		SCALE: 1:1		CURRENT REV DESC:					
GENERAL TOLERANCES (UNLESS SPECIFIED)				EC NO: 675846					
ANGULAR TOL ± 0.5°				4 PLACES ±		DRWN: MBN02		2021/08/30	
2 PLACES ± 0.05				3 PLACES ±		CHK'D: MBN02		2021/08/30	
1 PLACE ± 0.1				0 PLACES ±		APPR: SDEVITT		2021/09/28	
DRAFT WHERE APPLICABLE MUST REMAIN WITHIN DIMENSIONS				THIRD ANGLE PROJECTION		DRAWING: A2-SIZE		SERIES: 91778	
DOCUMENT STATUS: P1		RELEASE DATE: 2021/09/28		05:25:32		MATERIAL NUMBER: SEE CHARTS		CUSTOMER: GENERAL MARKET	
PRODUCT CUSTOMER DRAWING				DOCUMENT NUMBER: 917780001		DOC TYPE: PSD		DOC PART: 000	
5MM APPLI-MATE 10A				INITIAL REVISION:		DRWN: CFISHER01		2016/03/02	
APPR: BRUTTLE				2016/11/01		SHEET NUMBER: 7 OF 11			

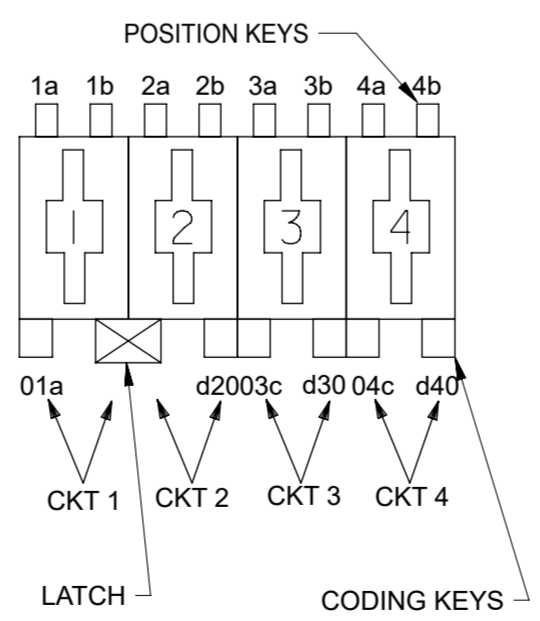
6 CIRCUIT									
MOLEX PART NO.	HOUSING NO.	COLOUR	POSITION KEYS	CODING KEYS	LATCH POSITION	CONFIGURATION	COLOUR STRIP	REF	RIBS
91778-0401	91778-9061	NATURAL	1a 1b 2a 2b 3a 3b 4a 4b 5a 5b 6a 6b	01c d10 02c d30 04c d50 06c d60	2/3a 4/5a		NONE	K90	NONE
91778-0402	91778-9062	NATURAL	1b	03c d60	1/2a 5/6a		NONE	K91	NONE
91778-0403	91778-9062	NATURAL	1a 1b 2a 2b 3a 3b 4a 4b 5a 5b 6a 6b	01c d20 03c d30 04c d40 05c d60	1/2a 5/6a		NONE	K53	NONE
91778-0404	91778-9062	NATURAL	5b	01c d40	1/2a 5/6a		NONE	K61	NONE
91778-0405	91778-9062	NATURAL	1a 6a	d30	1/2a 5/6a		NONE	K--	NONE
91778-0406	91778-9062	NATURAL	2a 6b	d40	1/2a 5/6a		NONE	K04	NONE
91778-0407	91778-9063	NATURAL	5b	02c 06c	3/4a		NONE	K--	NONE
91778-0408	91778-9064	NATURAL	1b 3a 4b 5a 5b 6b	01c d60	2/3a		NONE	K--	NONE
91778-0409	91778-9063	NATURAL	1a 1b 2a 2b 3a 3b 4a 4b 5a 5b 6a 6b	d50 06c	3/4a		NONE	K--	NONE
91778-0410	91778-9065	BLACK	1a 1b 2a 2b 3a 3b 4a 4b 5a 5b 6a 6b	02c d50	2/3a 4/5a		NONE	K38	NONE
91778-0411	91778-9066	NATURAL	1b 2a 3a 4b 5a 5b 6b	01c d60	2/3a 5/6a		NONE	K--	NONE
91778-0412	91778-9067	NATURAL	1a 3b 4b	01c d50 06c	1/2a 4/5a		NONE	K30	NONE
91778-0413	91778-9067	NATURAL	1a 1b 2a 2b 3a 3b 4a 4b 5a 5b 6a 6b	01c d20 03c d30 04c d50 06c d60	1/2a 4/5a		NONE	K00	NONE
91778-0414	91778-9063	NATURAL	1a 1b 2a 2b 3a 3b 4a 4b 5a 5b 6a 6b	01c d20 02c d20 03c d40 05c d50 06c d60	3/4a		NONE	K--	NONE
91778-0415	91778-9066	NATURAL	2a 3b 5b 6b	NONE	1/2a 5/6a		NONE	K--	NONE
91778-0416	91778-9066	NATURAL	1a 1b 2a 2b 3a 3b 4a 4b 5a 5b 6a 6b	01c 02c d30 04c d40 05c d60	2/3a 5/6a		NONE	K--	NONE
91778-0417	91778-9068	NATURAL	1b 5b	02c	3/4b		NONE	K--	NONE



7 CIRCUIT									
MOLEX PART NO.	HOUSING NO.	COLOUR	POSITION KEYS	CODING KEYS	LATCH POSITION	CONFIGURATION	COLOUR STRIP	REF	RIBS
91778-0501	91778-9071	NATURAL	2b	d20 07c	1/2a 5/6a		NONE	K37	NONE
91778-0502	91778-9071	NATURAL	1a 1b 2a 2b 3a 3b 4a 4b 5a 5b 6a 6b 7a 7b	01c d20 03c d30 04c d40 05c d60 07c d70	1/2a 5/6a		NONE	K00	NONE
91778-0503	91778-9071	NATURAL	NONE	d20	1/2a 5/6a		NONE	K44	NONE
91778-0504	91778-9072	NATURAL	1a 1b 2a 2b 3a 3b 4a 4b 5a 5b 6a 6b 7a 7b	01c d10 02c d30 04c d40 05c d50 06c d70	2/3a 6/7a		NONE	K90	NONE
91778-0505	91778-9072	NATURAL	1a 1b 2a 2b 3a 3b 4a 4b 5a 5b 6a 6b 7a 7b	02c d50	2/3a 6/7a		NONE	K49	NONE
91778-0506	91778-9073	NATURAL	NONE	d20 03c 07c	5/6a		NONE	K--	NONE
91778-0507	91778-9074	NATURAL	1a 6b	03c 07c	4/5a		NONE	K--	NONE
91778-0508	91778-9071	NATURAL	NONE	04c 05c	1/2a 5/6a		NONE	K--	NONE
91778-0509	91778-9071	NATURAL	NONE	04c 07c	1/2a 5/6a		NONE	K--	NONE
91778-0510	91778-9071	NATURAL	NONE	d20 03c d70	1/2a 5/6a		NONE	K--	NONE
91778-0511	91778-9071	NATURAL	NONE	d20 07c	1/2a 5/6a		NONE	K--	NONE
91778-0512	91778-9071	NATURAL	NONE	d20 03c	1/2a 5/6a		NONE	K--	NONE
91778-0513	91778-9071	NATURAL	6b 7a 7b	d20 d60	1/2a 5/6a		NONE	K--	NONE
91778-0514	91778-9071	NATURAL	1a 1b 2a 2b 3a 3b 4a 4b 5a 5b 6a 6b 7a 7b	03c d40 07c	1/2a 5/6a		NONE	K--	NONE
91778-0515	91778-9071	NATURAL	1a 2a 2b 3a 3b 4a 5a 6a 6b 7a 7b	d20 d60	1/2a 5/6a		NONE	K--	NONE
91778-0516	91778-9071	NATURAL	1a 2a 2b 3a 3b 4a 5a 6a 6b 7a 7b	d20 d60	1/2a 5/6a		NONE	K--	NONE
91778-0517	91778-9075	NATURAL	NONE	d20 03c d50 06c	1/2a 6/7a		NONE	K--	NONE



KEYING, CODING & LATCH IDENTIFICATION
4 CKT EXAMPLE VIEW IN MATING DIRECTION



THIS DRAWING CONTAINS INFORMATION THAT IS PROPRIETARY TO MOLEX ELECTRONIC TECHNOLOGIES, LLC AND SHOULD NOT BE USED WITHOUT WRITTEN PERMISSION

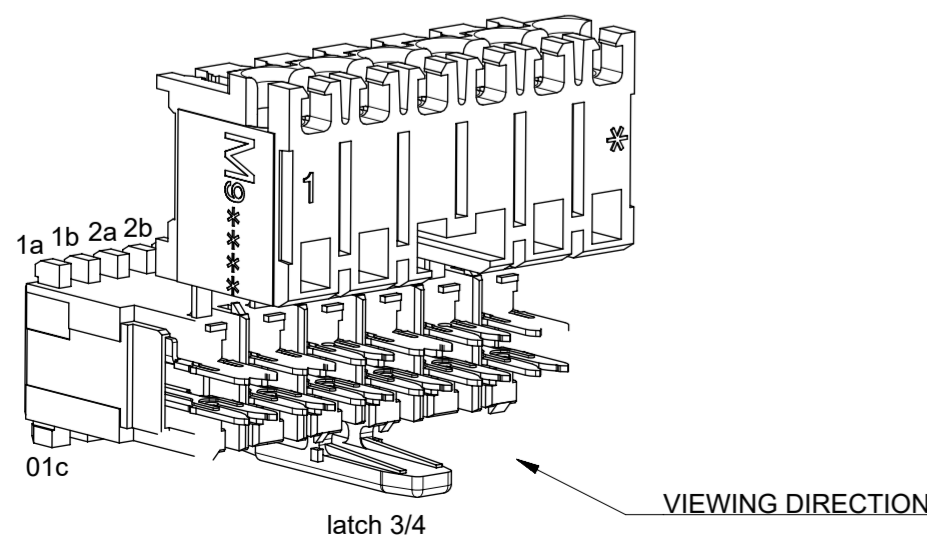
DIMENSION UNITS	SCALE	CURRENT REV DESC:
mm	1:1	
GENERAL TOLERANCES (UNLESS SPECIFIED)		
ANGULAR TOL	± 0.5°	
4 PLACES	±	
3 PLACES	±	
2 PLACES	± 0.05	
1 PLACE	± 0.1	
0 PLACES	±	
DRAFT WHERE APPLICABLE MUST REMAIN WITHIN DIMENSIONS		
THIRD ANGLE PROJECTION	DRAWING	SERIES
	A2-SIZE	91778
EC NO: 675846		
DRWN: MBN02 2021/08/30		
CHK'D: MBN02 2021/08/30		
APPR: SDEVITT 2021/09/28		
INITIAL REVISION:		
DRWN: CFISHER01 2016/03/02		
APPR: BRUTTLE 2016/11/01		
DOCUMENT NUMBER	DOC TYPE	DOC PART
917780001	PSD	000
REVISION		
J2		
MATERIAL NUMBER	CUSTOMER	SHEET NUMBER
SEE CHARTS	GENERAL MARKET	8 OF 11

7 CIRCUIT

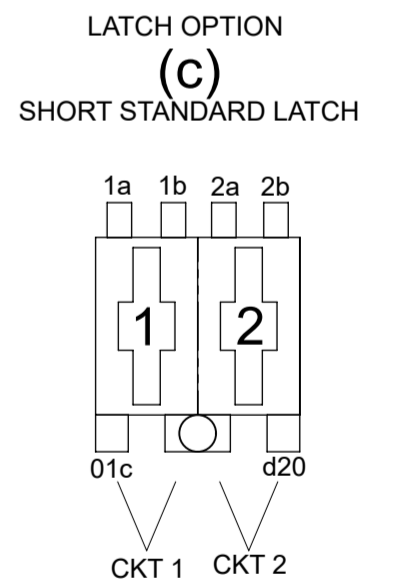
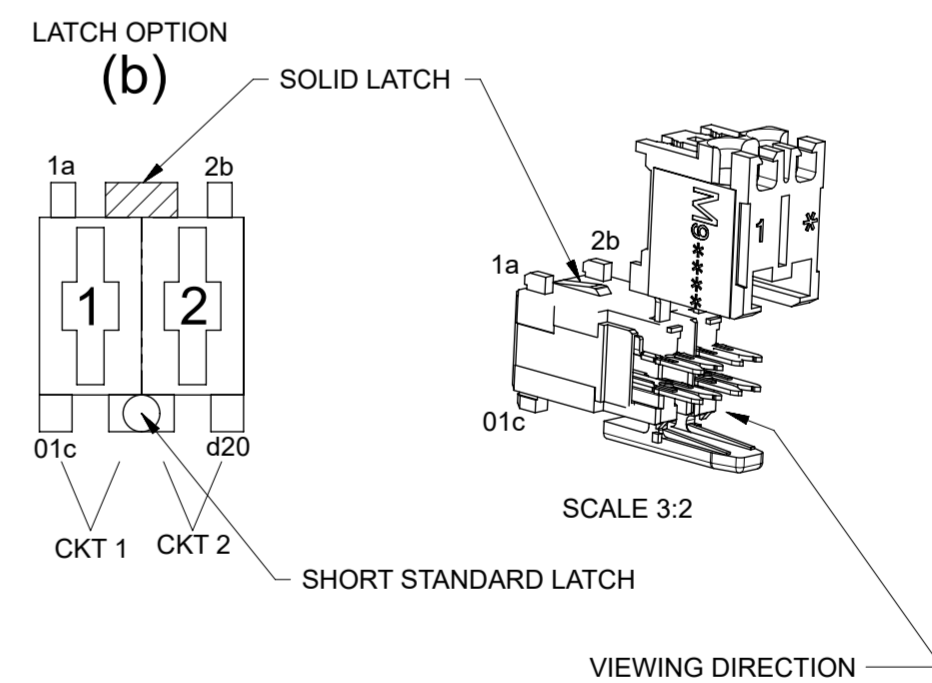
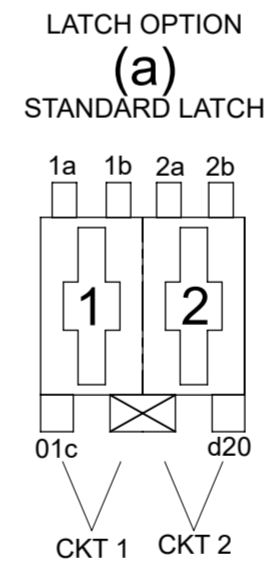
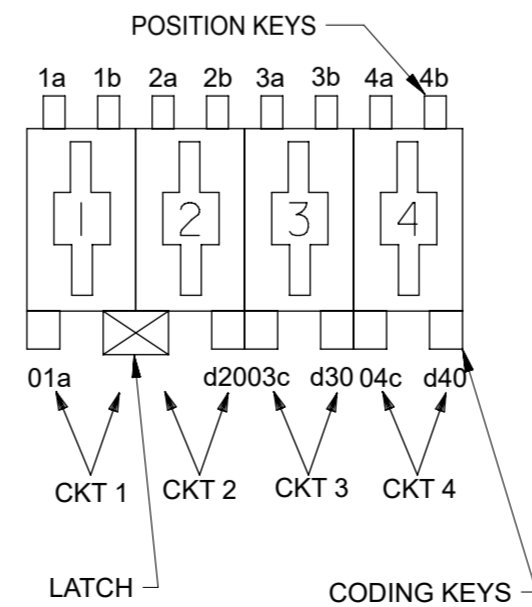
MOLEX PART NO.	HOUSING NO.	COLOUR	POSITION KEYS	CODING KEYS	LATCH POSITION	CONFIGURATION	COLOUR STRIP	REF	RIBS
91778-0518	91778-9072	NATURAL	6b 7a	d10 02c d50 06c	2/3a 6/7a		NONE	K--	NONE
91778-0519	91778-9074	NATURAL	1a 1b 2a 2b 3a 3b 4a 4b 5a 5b 6a 6b 7a 7b	01c d10 02c d20 03c d30 04c d50 06c d60 07c d70	4/5a		NONE	K--	NONE
91778-0520	91778-9076	NATURAL	2b	d20	1/2c		NONE	K--	NONE
91778-0521	91778-9075	NATURAL	5b	d30 d70	1/2a 6/7a		NONE	K--	NONE
91778-0522	91778-9077	NATURAL	1b 5b	02c d70	3/4b		NONE	K--	NONE

8 CIRCUIT

MOLEX PART NO.	HOUSING NO.	COLOUR	POSITION KEYS	CODING KEYS	LATCH POSITION	CONFIGURATION	COLOUR STRIP	REF	RIBS
91778-0601	91778-9081	NATURAL	1a 1b 2a 2b 3a 3b 4a 4b 5a 5b 6a 6b 7a 7b 8a 8b	01c d10 02c d20 03c d40 05c d60 07c d70 08c d80	3/4a 5/6a		NONE	K00	NONE
91778-0602	91778-9081	NATURAL	1b 3a 3b 5a 5b 7a 8a	01c d20 03c 05c 07c	3/4a 5/6a		NONE	K36	NONE
91778-0603	91778-9082	NATURAL	1a 1b 2a 2b 3a 3b 4a 4b 5a 5b 6a 6b 7a 7b 8a 8b	01c d20 03c d30 04c d40 05c d50 06c d60 07c d80	1/2a 7/8a		NONE	K90	NONE
91778-0604	91778-9082	NATURAL	1a 1b 2a 2b 3a 3b 4a 4b 5a 5b 6a 6b 7a 7b 8a 8b	03c d60	1/2a 7/8a		NONE	K39	NONE
91778-0605	91778-9082	NATURAL	2b 8a	03c d60	1/2a 7/8a		NONE	K--	NONE
91778-0606	91778-9083	NATURAL	8b	02c d30 07c	2/3a 7/8a		NONE	K--	NONE
91778-0607	91778-9084	NATURAL	2b 8a	03c d60	1/2a		NONE	K--	NONE
91778-0608	91778-9085	NATURAL	8b	02c d30	2/3a		NONE	K49	NONE
91778-0609	91778-9082	NATURAL	NONE	d20 03c d60 07c	1/2a 7/8a		NONE	K--	NONE
91778-0610	91778-9082	NATURAL	7b 8a	d20 03c d60 07c	1/2a 7/8a		NONE	K--	NONE
91778-0611	91778-9086	NATURAL	NONE	NONE	1/2b 6/7b SHORT STD LATCH 1/2		NONE	K--	NONE
91778-0612	91778-9087	NATURAL	NONE	NONE	1/2c		NONE	K--	NONE



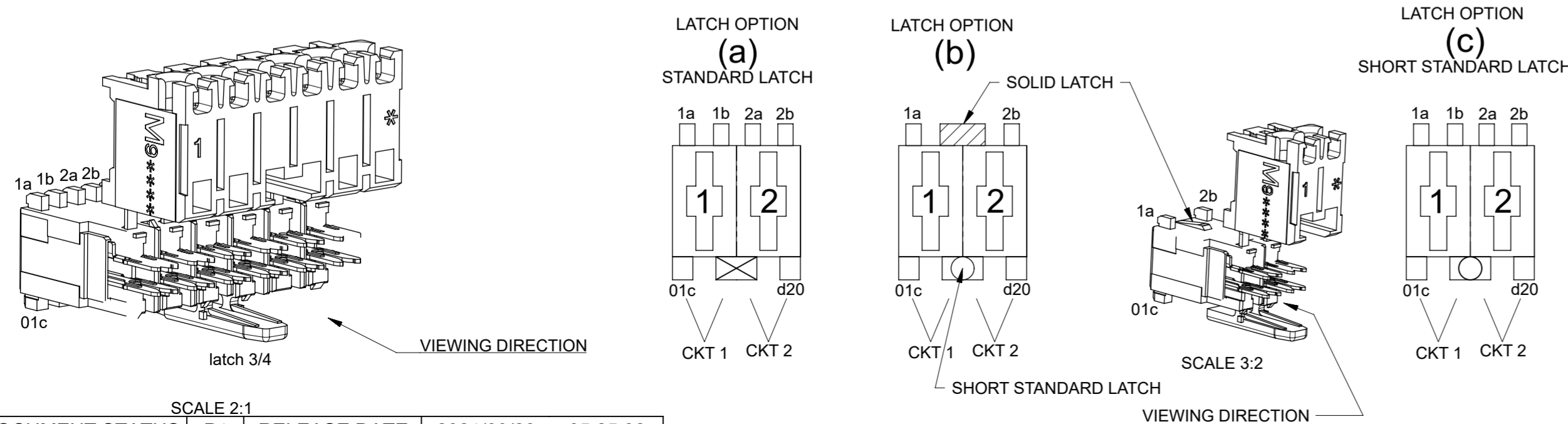
KEYING, CODING & LATCH IDENTIFICATION
4 CKT EXAMPLE VIEW IN
MATING DIRECTION



THIS DRAWING CONTAINS INFORMATION THAT IS PROPRIETARY TO MOLEX ELECTRONIC TECHNOLOGIES, LLC AND SHOULD NOT BE USED WITHOUT WRITTEN PERMISSION									
DIMENSION UNITS mm		SCALE 1:1		CURRENT REV DESC:					
GENERAL TOLERANCES (UNLESS SPECIFIED)				EC NO: 675846		2021/08/30		molex	
ANGULAR TOL ± 0.5°				DRWN: MBN02		2021/08/30			
4 PLACES ±				CHK'D: MBN02		2021/09/28		5MM APPLI-MATE 10A	
3 PLACES ±				APPR: SDEVITT		2021/09/28		PRODUCT CUSTOMER DRAWING	
2 PLACES ± 0.05				INITIAL REVISION:				DOCUMENT NUMBER	
1 PLACE ± 0.1				DRWN: CFISHER01		2016/03/02		917780001	
0 PLACES ±				APPR: BRUTTLE		2016/11/01		DOC TYPE DOC PART REVISION	
DRAFT WHERE APPLICABLE MUST REMAIN WITHIN DIMENSIONS		THIRD ANGLE PROJECTION		DRAWING A2-SIZE		SERIES 91778		MATERIAL NUMBER SEE CHARTS	
				CUSTOMER GENERAL MARKET		SHEET NUMBER 9 OF 11			

9 CIRCUIT										
MOLEX PART NO.	HOUSING NO.	COLOUR	POSITION KEYS	CODING KEYS	LATCH POSITION	CONFIGURATION	COLOUR STRIP	REF	RIBS	
91778-0701	91778-9091	NATURAL	1a 1b 2a 2b 3a 3b 4a 4b 5a 5b 6a 6b 7a 7b 8a 8b 9a 9b	01c d10 02c d20 03c d40 05c d50 06c d70 08c d80 09c d90	3/4a 6/7a		NONE	K00	NONE	
91778-0702	91778-9091	NATURAL	1b 2a 3a 5a 6a 7b 8b	01c 03c d70 08c d90	3/4a 6/7a		NONE	K64	NONE	
91778-0703	91778-9093	NATURAL	2b 5a	d80	2/3a 7/8a		NONE	K03	NONE	
91778-0704	91778-9092	NATURAL	1b	03c	5/6a		NONE	K--	NONE	
91778-0705	91778-9094	NATURAL	2b 3b 4a 5a 6b	d10 02c 04c 08c d90	2/3a 4/5a 6/7a 8/9a		NONE	K--	NONE	
91778-0706	91778-9095	NATURAL	1b 2a 4b 5a 8b 9b	01c d20 d70 08c	1/2a 4/5a 6/7a 8/9a		NONE	K--	NONE	
91778-0707	91778-9096	NATURAL	5b 6a	NONE	3/4a 7/8a		NONE	K--	NONE	
91778-0708	91778-9097	NATURAL	5b 6a	d30 d70	1/2a 6/7a		NONE	K--	NONE	
91778-0709	91778-9097	NATURAL	5b	d30 04c d70 08c	1/2a 6/7a		NONE	K--	NONE	

10 CIRCUIT										
MOLEX PART NO.	HOUSING NO.	COLOUR	POSITION KEYS	CODING KEYS	LATCH POSITION	CONFIGURATION	COLOUR STRIP	REF	RIBS	
91778-0801	91778-9101	NATURAL	1a 1b 2a 2b 3a 3b 4a 4b 5a 5b 6a 6b 7a 7b 8a 8b 9a 9b 10a 10b	01c d10 02c d20 03c d40 05c d50 06c d60 07c d80 09c d90 10c d100	3/4a 7/8a		NONE	K00	NONE	
91778-0802	91778-9101	NATURAL	1a 3b 7b 8a	01c d20 d40 05c d100	3/4a 7/8a		NONE	K34	NONE	
91778-0803	91778-9102	NATURAL	1a 1b 2a 2b 3a 3b 4a 4b 5a 5b 6a 6b 7a 7b 8a 8b 9a 9b 10a 10b	01c d10 02c d20 03c d30 04c d50 06c d60 07c d80 09c d90 10c d100	4/5a 7/8a		NONE	K98	NONE	
91778-0804	91778-9103	NATURAL	1a 1b 2a 2b 3a 3b 4a 4b 5a 5b 6a 6b 7a 7b 8a 8b 9a 9b 10a 10b	01c d10 02c d20 03c d30 04c d50 06c d70 08c d80 09c d90 10c d100	4/5a 6/7a		NONE	K99	NONE	
91778-0805	91778-9102	NATURAL	1a 10b	07c	4/5a 7/8a		NONE	K39	NONE	
91778-0806	91778-9103	NATURAL	1b 9a	06c	4/5a 6/7a		NONE	K40	NONE	
91778-0807	91778-9104	NATURAL	1b	03c	5/6a		NONE	K--	NONE	
91778-0808	91778-9104	NATURAL	4b 6b 8a 8b	d100	5/6a		NONE	K--	NONE	
91778-0809	91778-9105	NATURAL	4b 6b 8a 8b	06c d100	NONE		NONE	K--	NONE	
91778-0810	91778-9104	NATURAL	NONE	d30 04c d70 08c	2/3a 8/9a		NONE	K--	NONE	
91778-0811	91778-9107	NATURAL	2b 3a	d30 04c d70 08c	5/6a 8/9a		NONE	K--	NONE	
91778-0812	91778-9107	NATURAL	8b 9a	d30 04c d70 08c	5/6a 8/9a		NONE	K--	NONE	
91778-0813	91778-9107	NATURAL	8b	d30 04c d70 08c	5/6a 8/9a		NONE	K--	NONE	
91778-0814	91778-9104	NATURAL	4b 6b 8a 8b	d30 d40 05c d100	5/6a		NONE	K--	NONE	
91778-0815	91778-9107	NATURAL	NONE	d30 04c d70 08c	5/6a 8/9a		NONE	K--	NONE	



THIS DRAWING CONTAINS INFORMATION THAT IS PROPRIETARY TO MOLEX ELECTRONIC TECHNOLOGIES, LLC AND SHOULD NOT BE USED WITHOUT WRITTEN PERMISSION

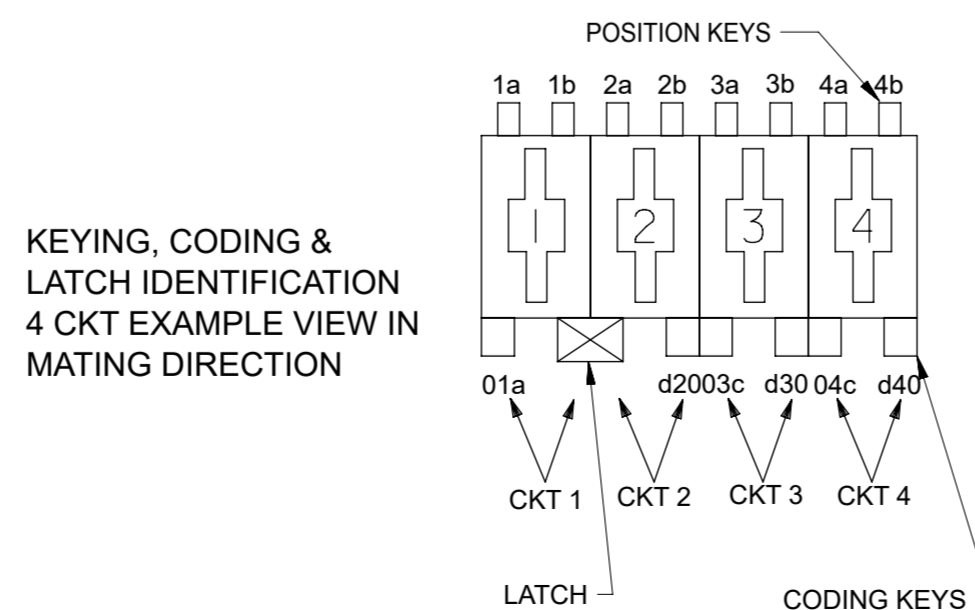
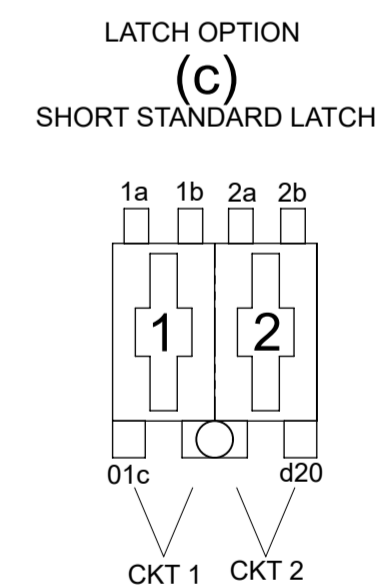
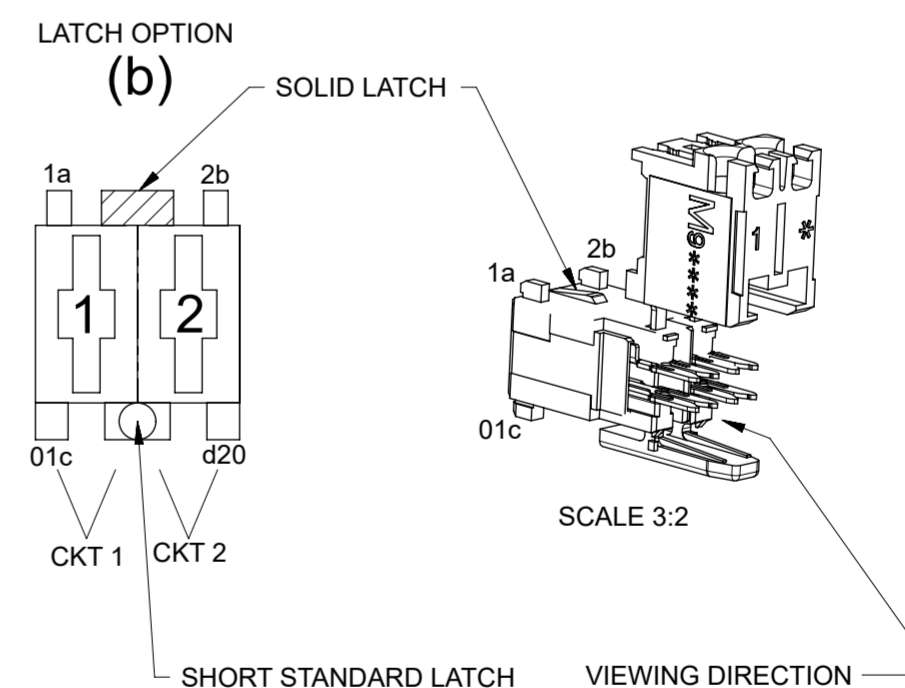
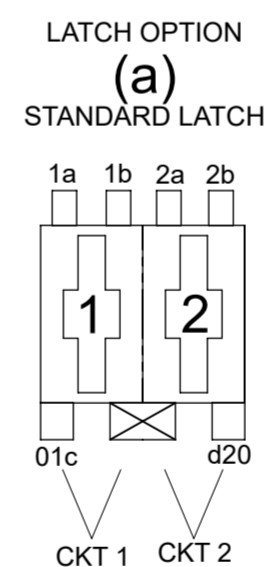
DIMENSION UNITS	SCALE	CURRENT REV DESC:	
mm	1:1		
GENERAL TOLERANCES (UNLESS SPECIFIED)			
ANGULAR TOL	± 0.5°	EC NO:	675846
4 PLACES	±	DRWN:	MBN02 2021/08/30
3 PLACES	±	CHK'D:	MBN02 2021/08/30
2 PLACES	± 0.05	APPR:	SDEVITT 2021/09/28
1 PLACE	± 0.1	INITIAL REVISION:	
0 PLACES	±	DRWN:	CFISHER01 2016/03/02
DRAFT WHERE APPLICABLE MUST REMAIN WITHIN DIMENSIONS		APPR:	BRUTTLE 2016/11/01
THIRD ANGLE PROJECTION	DRAWING	SERIES	MATERIAL NUMBER
	A2-SIZE	91778	SEE CHARTS
CUSTOMER		DOC TYPE	DOC PART
GENERAL MARKET		PSD	000
SHEET NUMBER		REVISION	
10 OF 11		J2	

11 CIRCUIT

MOLEX PART NO.	HOUSING NO.	COLOUR	POSITION KEYS	CODING KEYS	LATCH POSITION	CONFIGURATION	COLOUR STRIP	REF	RIBS
91778-0901	91778-9111	NATURAL	1a 1b 2a 2b 3a 3b 4a 4b 5a 5b 6a 6b 7a 7b 8a 8b 9a 9b 10a 10b 11a 11b	01c d10 02c d20 03c d40 05c d50 06c d60 07c d70 08c d90 10c d100 11c d110	3/4a 8/9a		NONE	K00	NONE
91778-0902	91778-9111	NATURAL	1a 2b 3b 4a 4b 5a 7a 8a 9a 10a 11a	01c d40 05c 08c 010c	3/4a 8/9a		NONE	K33	NONE

12 CIRCUIT

MOLEX PART NO.	HOUSING NO.	COLOUR	POSITION KEYS	CODING KEYS	LATCH POSITION	CONFIGURATION	COLOUR STRIP	REF	RIBS
91778-1001	91778-9121	NATURAL	1a 1b 2a 2b 3a 3b 4a 4b 5a 5b 6a 6b 7a 7b 8a 8b 9a 9b 10a 10b 11a 11b 12a 12b	01c d10 02c d20 03c d40 05c d50 06c d60 07c d70 08c d80 09c d100 11c d110 12c d120	3/4a 9/10a		NONE	K00	NONE
91778-1002	91778-9121	NATURAL	1a 2a 4a 4b 5a 6b 8a 11a	01c 03c 05c 07c d80 d100 11c	3/4a 9/10a		NONE	K41	NONE



THIS DRAWING CONTAINS INFORMATION THAT IS PROPRIETARY TO MOLEX ELECTRONIC TECHNOLOGIES, LLC AND SHOULD NOT BE USED WITHOUT WRITTEN PERMISSION

DIMENSION UNITS mm	SCALE 1:1	CURRENT REV DESC:	molex			
GENERAL TOLERANCES (UNLESS SPECIFIED)		EC NO: 675846				5MM APPLI-MATE 10A
ANGULAR TOL ± 0.5°	4 PLACES ±	DRWN: MBN02 2021/08/30	PRODUCT CUSTOMER DRAWING			
3 PLACES ±	2 PLACES ± 0.05	CHK'D: MBN02 2021/08/30	DOCUMENT NUMBER	DOC TYPE	DOC PART	REVISION
1 PLACE ± 0.1	0 PLACES ±	APPR: SDEVITT 2021/09/28	917780001	PSD	000	J2
DRAFT WHERE APPLICABLE MUST REMAIN WITHIN DIMENSIONS	THIRD ANGLE PROJECTION	INITIAL REVISION: DRWN: CFISHER01 2016/03/02 APPR: BRUTTLE 2016/11/01	MATERIAL NUMBER SEE CHARTS	CUSTOMER GENERAL MARKET	SHEET NUMBER 11 OF 11	