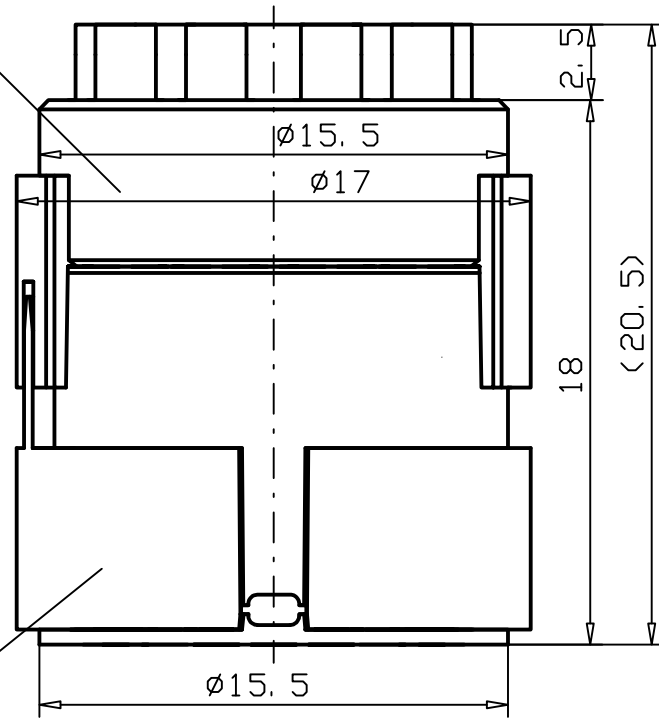


Lower part, Bushes
Unterteil, Buchsen



Upper part, Bushes
Oberteil, Buchsen

Notes:

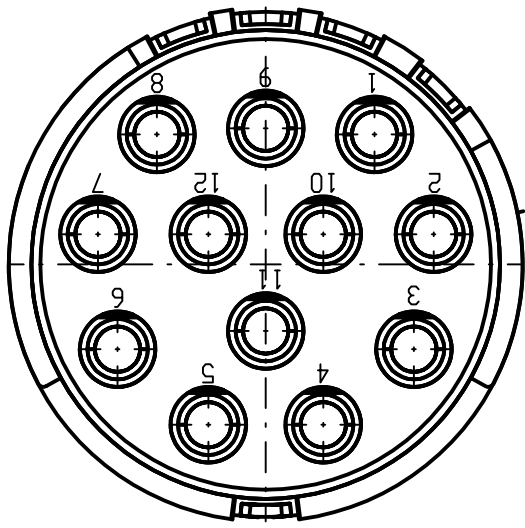
Packaging units: 5 pcs

Tolerances (unless specified): DIN ISO 2768 m

Bemerkungen:

Verpackungseinheit: 5 Stück

Toleranzen (sofern nichts anderes angegeben ist):
DIN ISO 2768 m



DESCRIPTION EC NO: WEU2008-0019 DRWN: BBRAUCH 2008/05/13 CH'KD: LS 2008/05/21 APPR: REISSNER 2008/05/27	QUALITY SYMBOLS ▽ = 0 ◻ = 0	GENERAL TOLERANCES (UNLESS SPECIFIED)		DIMENSION STYLE MM		SCALE 4:1	DESIGN UNITS METRIC	FIRST ANGLE PROJECTION																		
		<table border="1"> <tr> <th></th> <th>mm</th> <th>INCH</th> </tr> <tr> <td>4 PLACES</td> <td>±----</td> <td>±----</td> </tr> <tr> <td>3 PLACES</td> <td>±----</td> <td>±----</td> </tr> <tr> <td>2 PLACES</td> <td>±----</td> <td>±----</td> </tr> <tr> <td>1 PLACE</td> <td>±----</td> <td>±----</td> </tr> <tr> <td colspan="3">ANGULAR ± --- °</td> </tr> </table>		mm	INCH	4 PLACES	±----	±----	3 PLACES	±----	±----	2 PLACES	±----	±----	1 PLACE	±----	±----	ANGULAR ± --- °			DRAWN BY BB	DATE 2008/05/13	M23 SIG INSERT FEM 12P SOLDER P/N: KISC0-55			
		mm	INCH																							
	4 PLACES	±----	±----																							
	3 PLACES	±----	±----																							
2 PLACES	±----	±----																								
1 PLACE	±----	±----																								
ANGULAR ± --- °																										
		CHECKED BY ---	DATE ---																							
		APPROVED BY RE	DATE 2008/05/21			MOLEX INCORPORATED																				
	DRAFT WHERE APPLICABLE MUST REMAIN WITHIN DIMENSIONS	MATERIAL NO. 1202320023	DOCUMENT NO. SD-120232-023	SHEET NO. 1 OF 1																						
01	REV	THIS DRAWING CONTAINS INFORMATION THAT IS PROPRIETARY TO MOLEX INCORPORATED AND SHOULD NOT BE USED WITHOUT WRITTEN PERMISSION																								