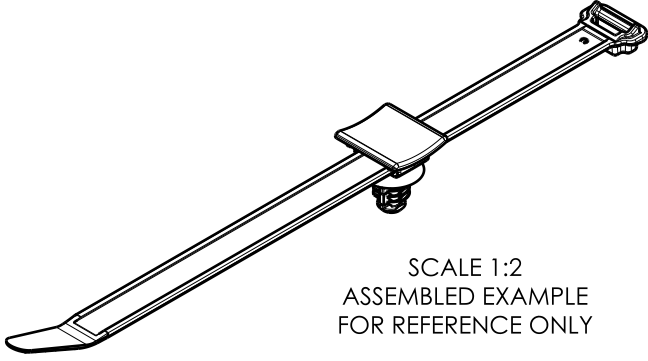
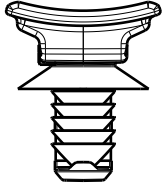
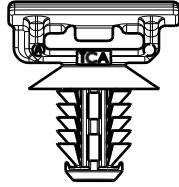
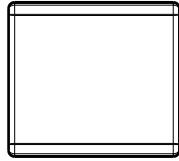
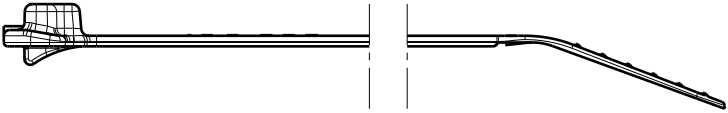
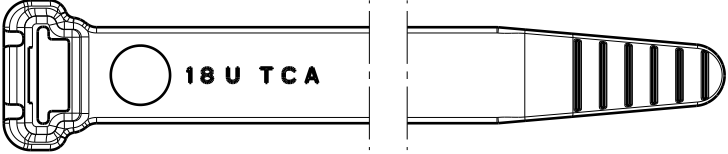


Revision Level			Revision Record	Changed	Date	Approved	Date
Drawing	State	Part					
01.3	Design Release	-	SEE ECN# 014845	HDC	01/09/19	NHK	01/09/19



SCALE 1:2
ASSEMBLED EXAMPLE
FOR REFERENCE ONLY

FTM10WSSD
DELIVERY CONDITION: UNASSEMBLED SET



WSS
DELIVERY CONDITION: UNASSEMBLED SET



GLOBAL PART NAME	BUNDLE RANGE	CABLE TIES			MOUNT		
		DRAWING	MATERIAL	COLOR	DRAWING	MATERIAL	COLOR
WSSFTM10WSSDSET-PA46-BN	N/A	CT2127004CST	PA46	BROWN	17-1599-001-CSU	PA46	BROWN
WSSDFTM10WSSDSET-PA66HIRHSUV-BK	N/A	CT2127004CST	PA66HIRHSUV	BLACK	17-1599-001-CSU	PA66HIRHSUV	BLACK



Material
SEE CHART
COLOR: SEE CHART

Units millimeters
Tolerance defined on each dimension

The copyright of this drawing is reserved by HellermannTyton. It is issued on condition that it is not reproduced, copied or disclosed to a third party, either wholly or in part, without the consent of HellermannTyton.

Drawn: HDC, 10/10/17
Approved: EJH, 10/10/17

HellermannTyton

North America
Email: corp@htamericas.com
Web: www.hellermann.tyton.com

Article/Type-No: WSSDFTM10WSSDSET
Title: SADDLE MOUNT WITH FT8.0/M10 AND T120 WIDE STRAP SET
Drawing-No: 17-1597-001-CSU
PRODUCTION Phase: 01.3

Scale: 1:1
Project Number: 17-1597
Format: AH
Sheet: 1/1