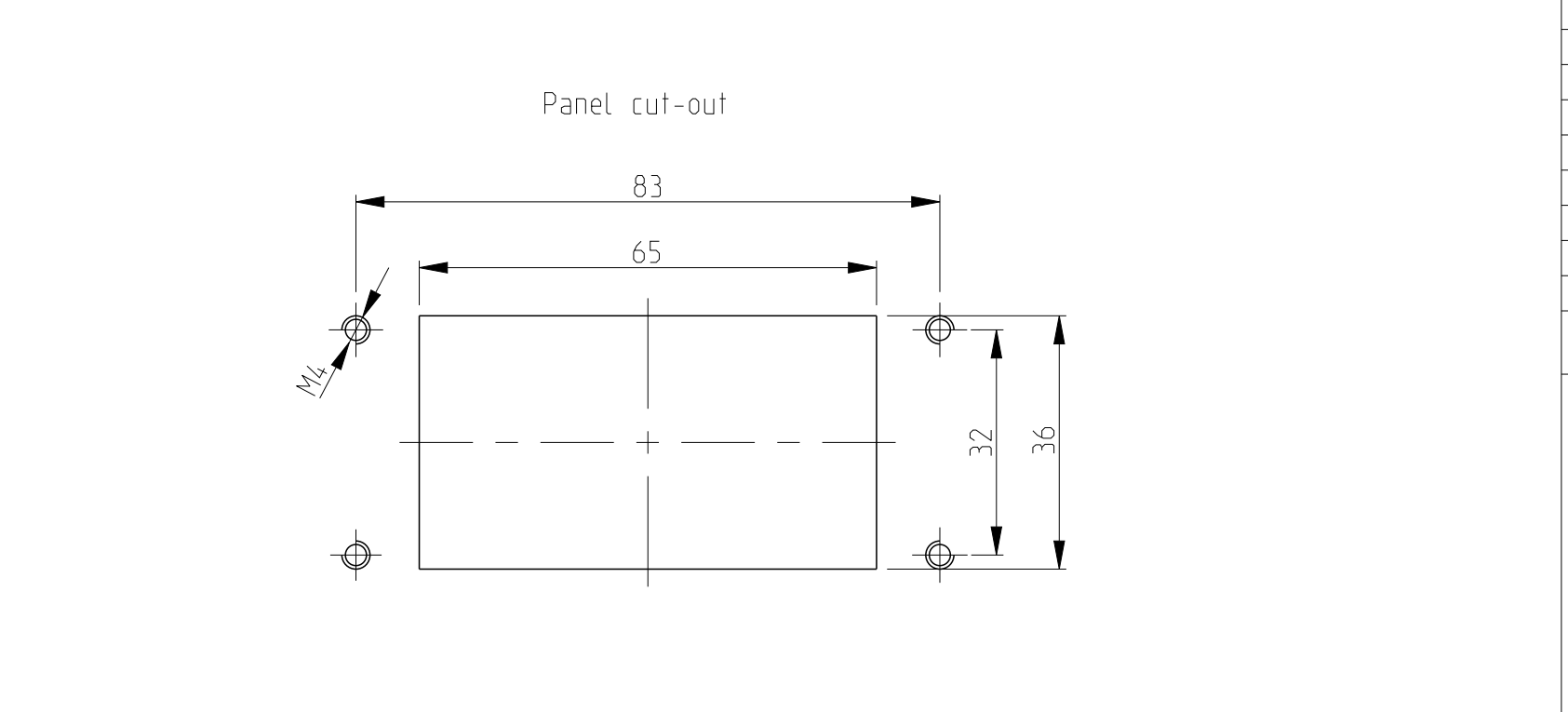
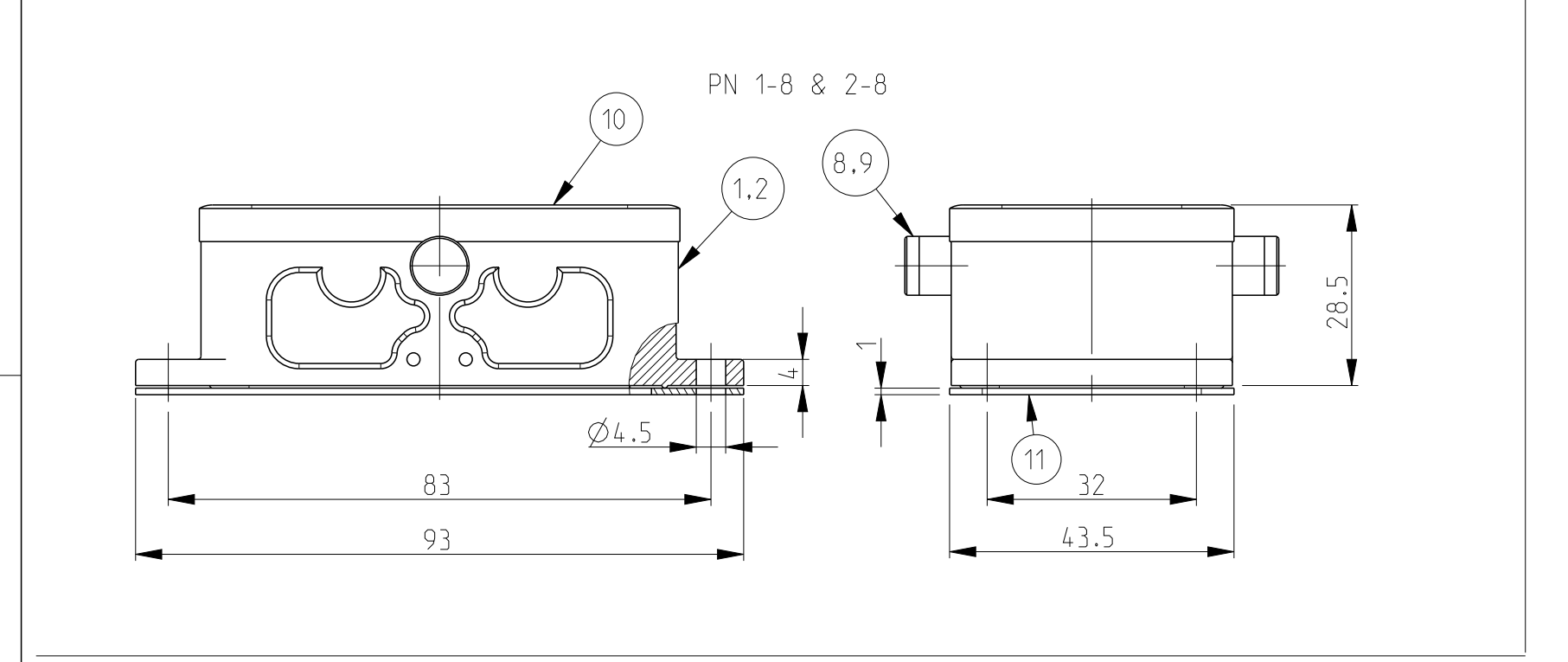
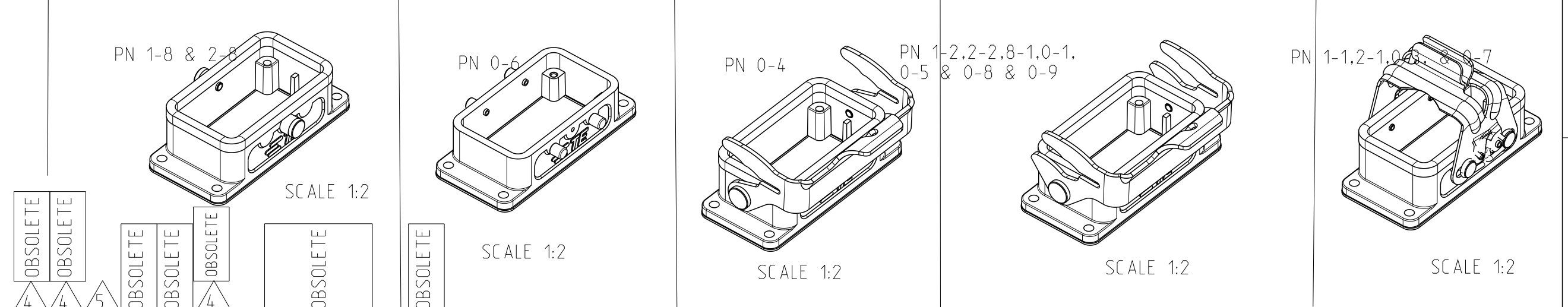
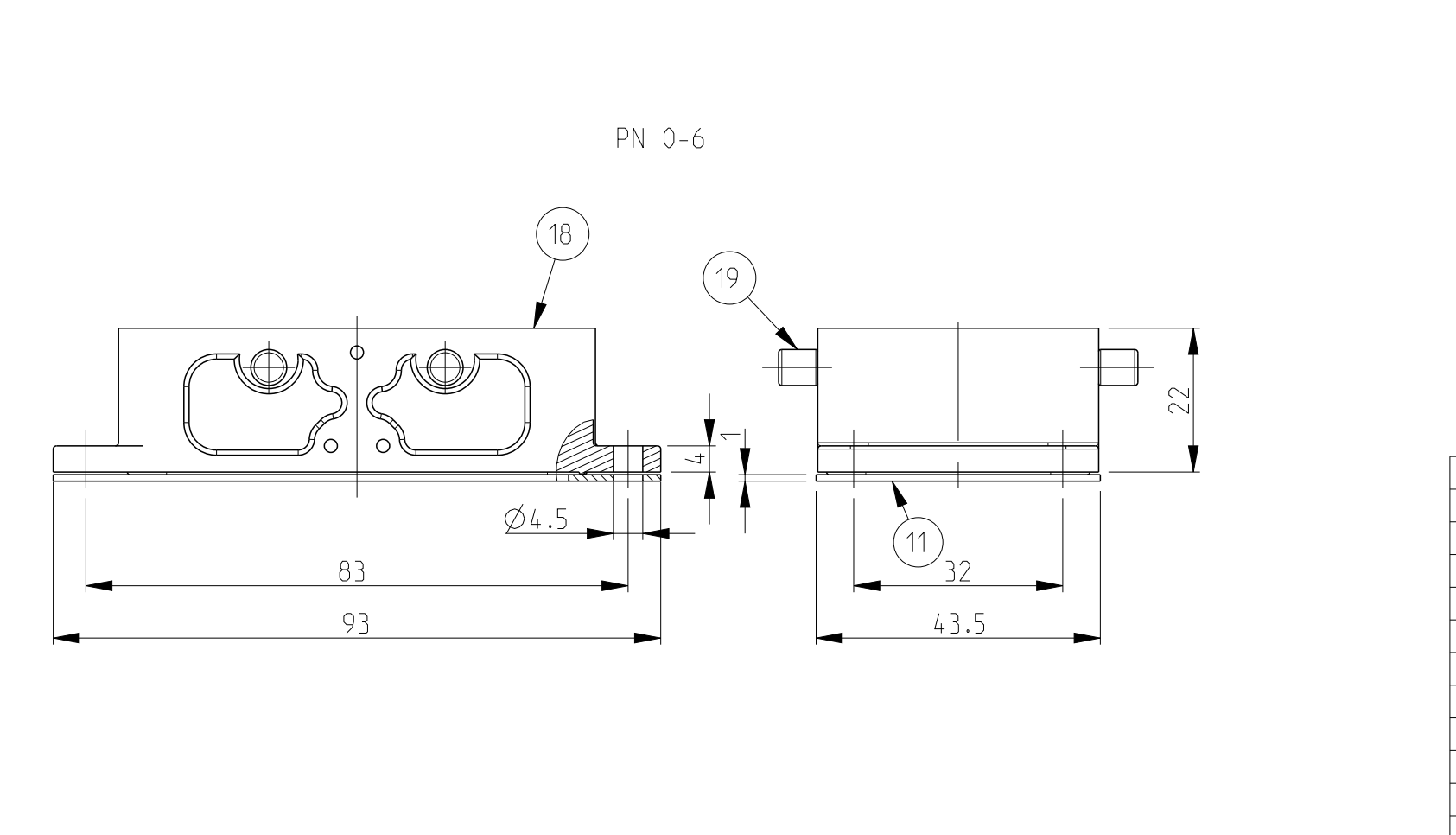
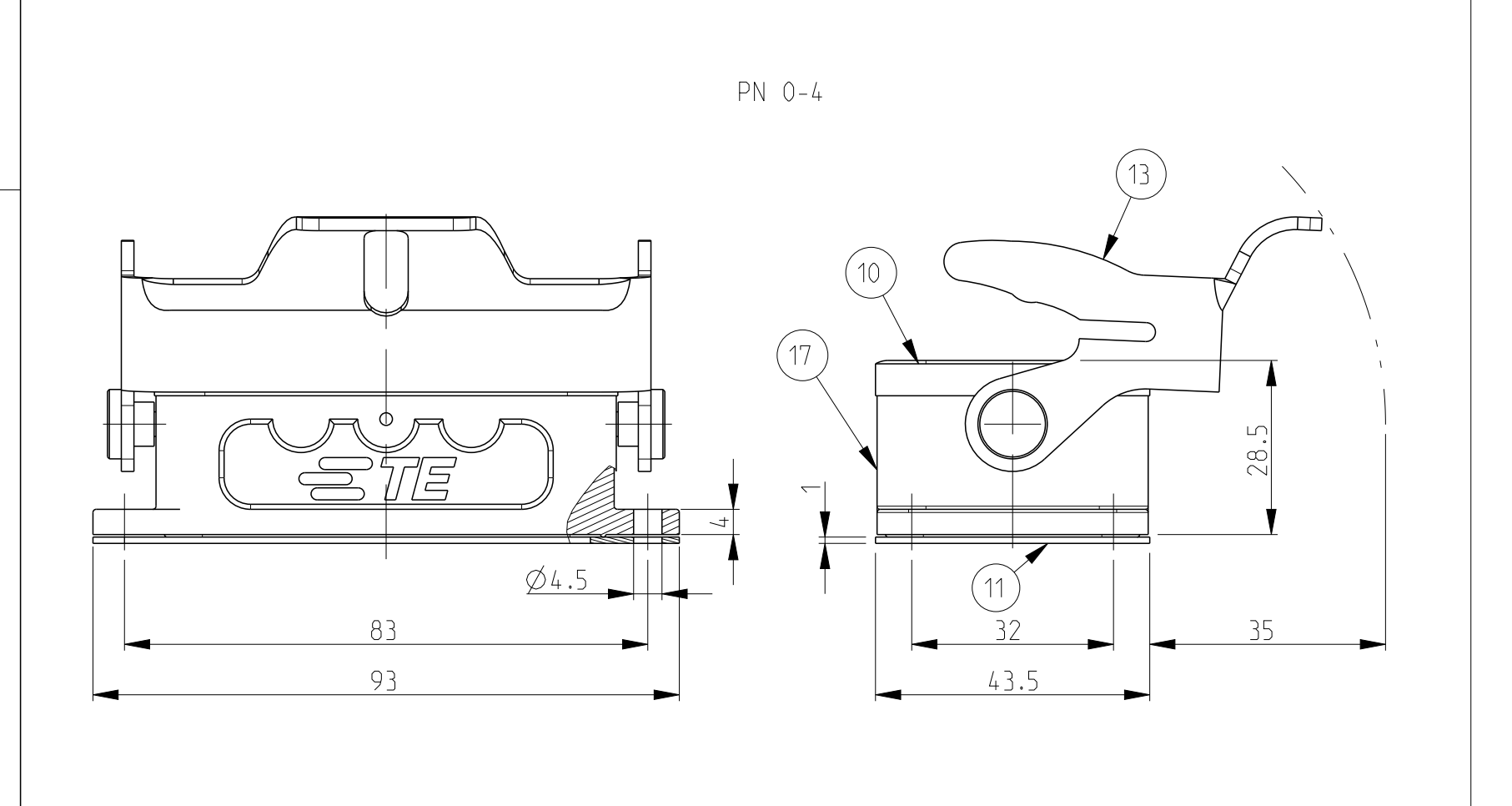
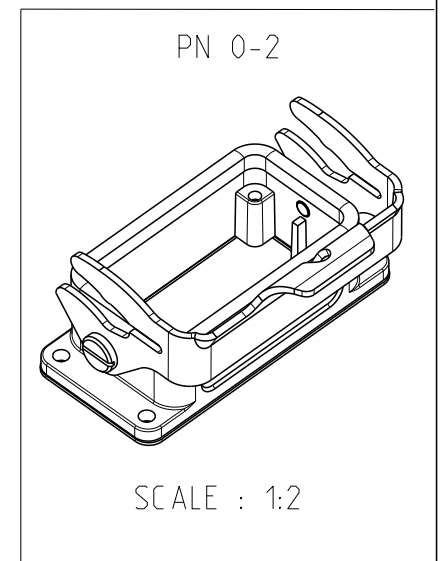
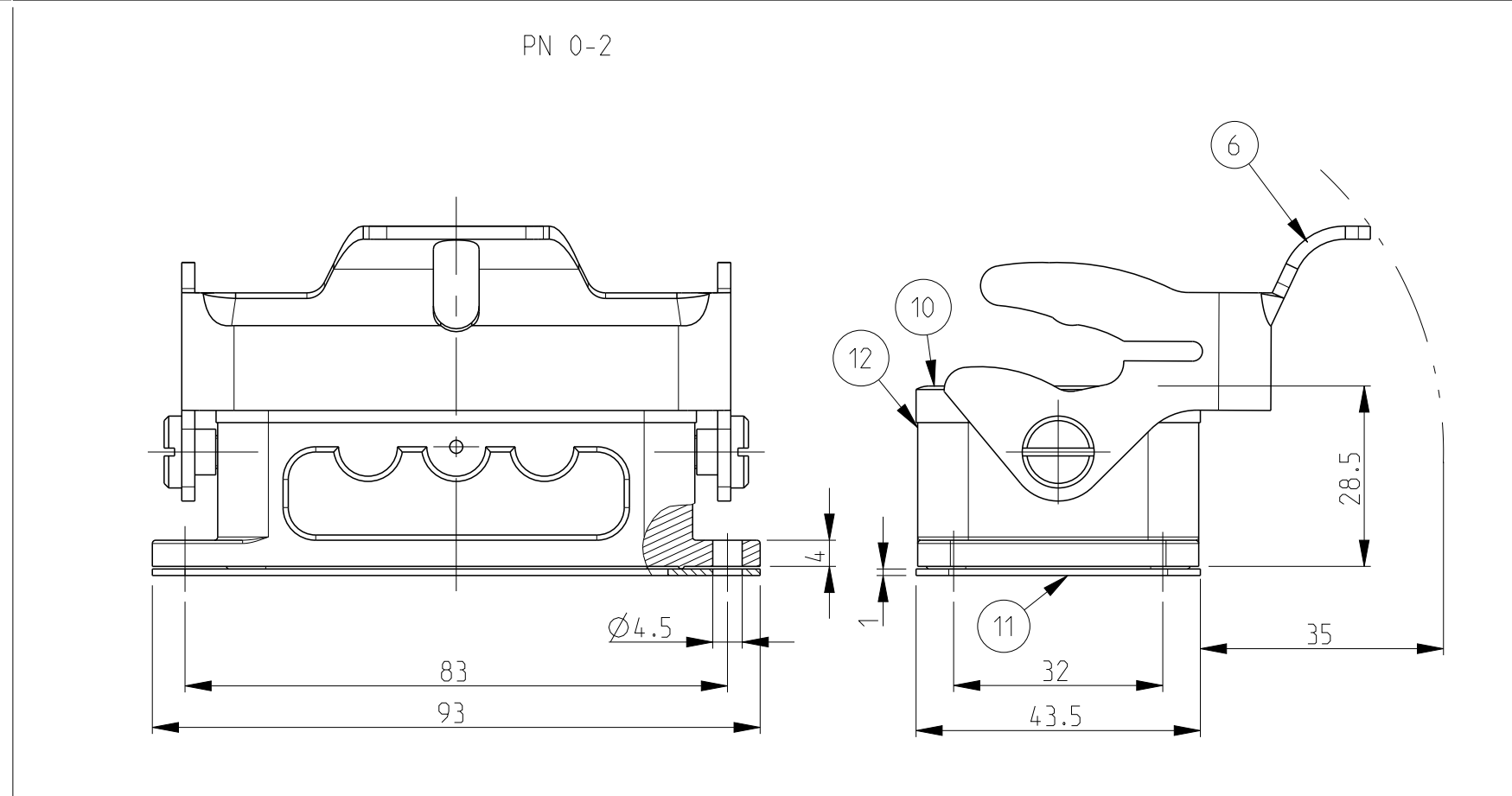
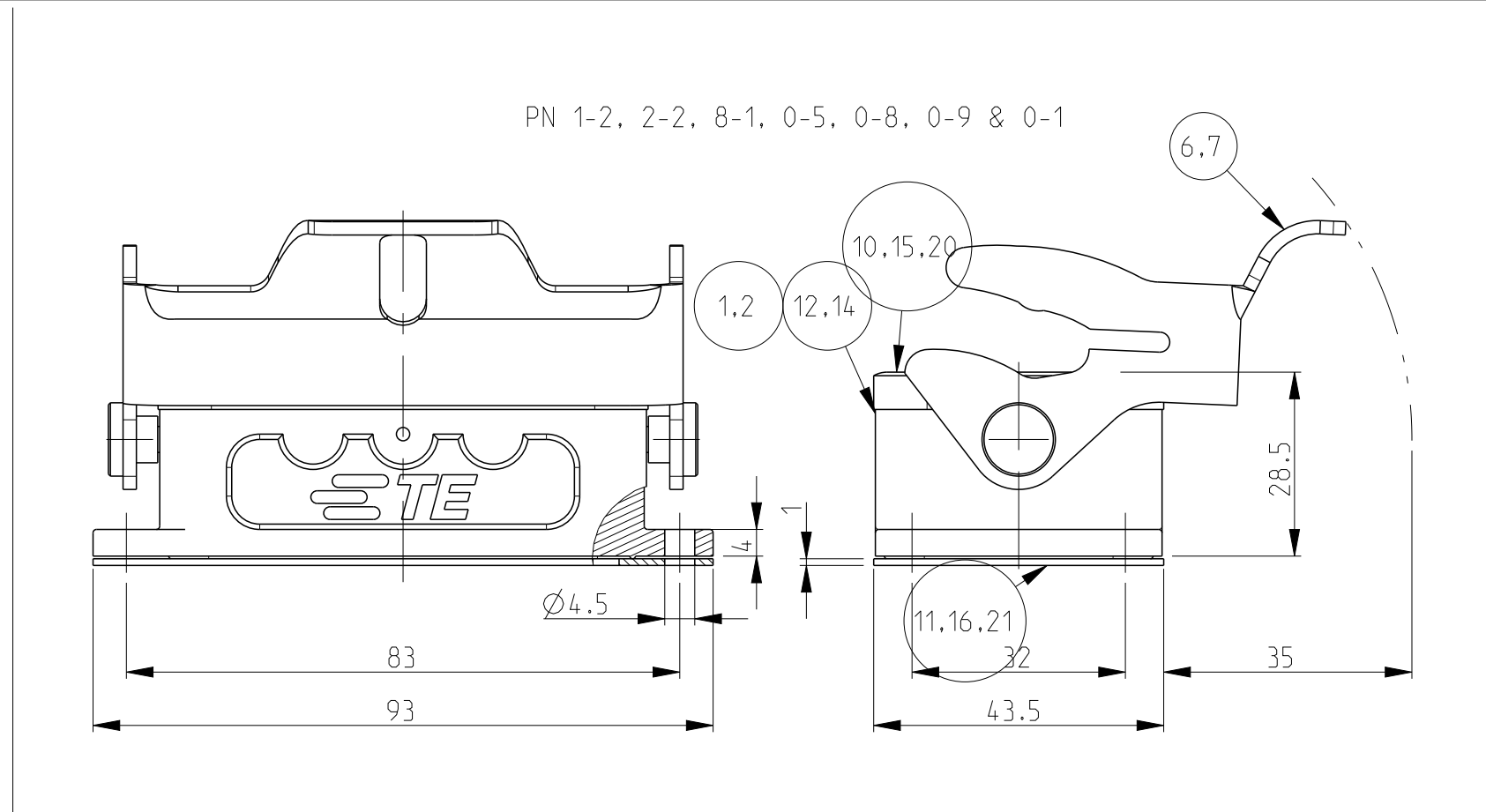
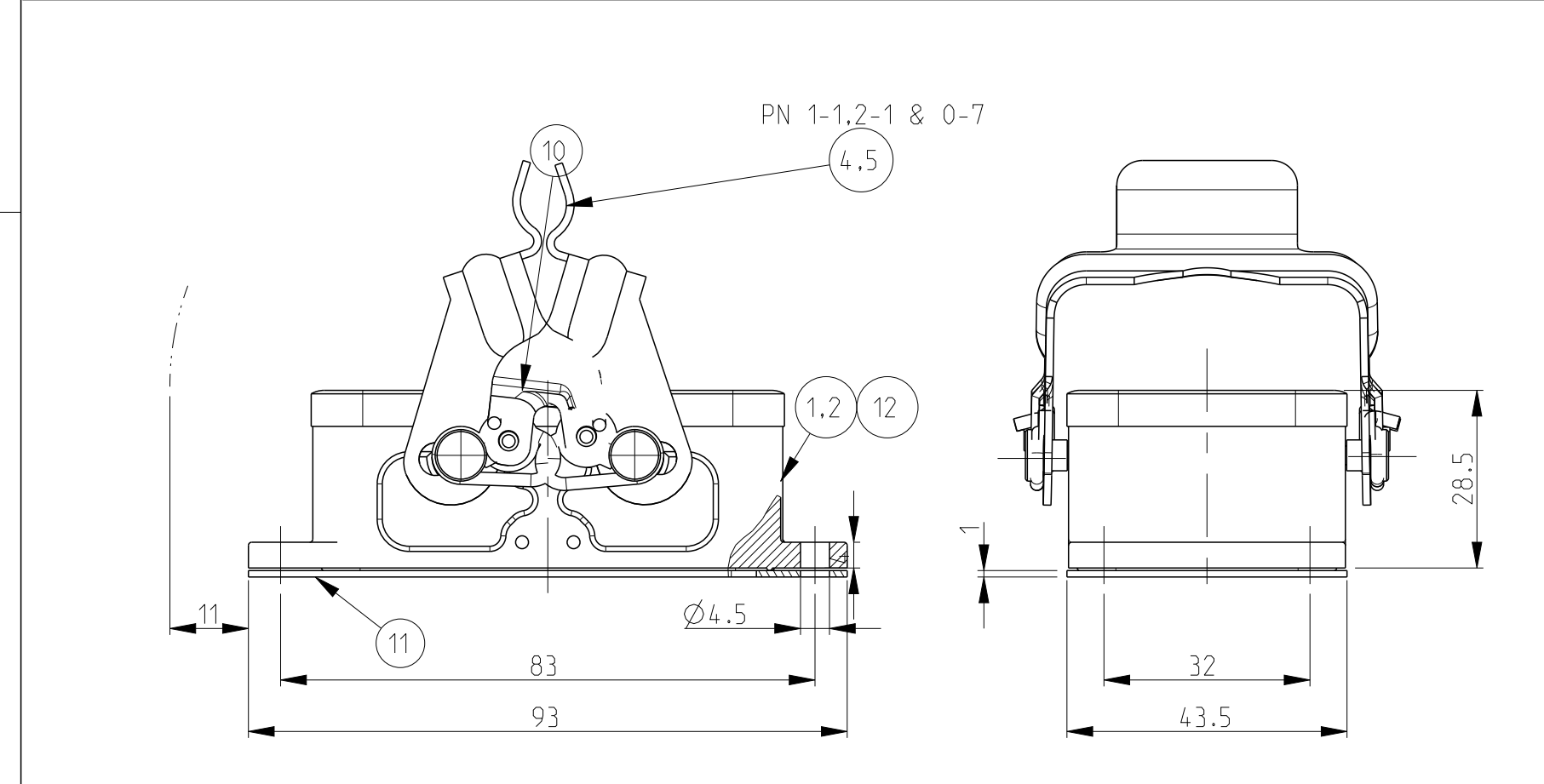


REVISIONS				
P	LTN	DESCRIPTION	DATE	APVD
B4	ECR-21-123293		22FEB2022	RK JB

- 1 Material: Housing: Aluminium Diecasting Alloy
Seals: Neoprene
- 2 Varnish on the inside not necessary
- 3 Packaging packaging quantity 5 pieces in a box
- 4 Special design
- 5 Special packaging 50 pieces



QTY	DESCRIPTION	MATERIAL	SURFACE	COLOR	ITEM NO	NOTES
1	Flange seal				21	
1	Profile seal				20	
1	Clip bolt-VS	Steel	Zinc plated	Blue	19	
1	Surface mounted housing bottom entry HB	Aluminium		Grey	18	
1	Surface mounted housing bottom entry HB	Aluminium		Grey	17	Grey 120-160µm
1	Flange seal	Neoprene			16	Conductive
1	Profile seal	Neoprene			15	Conductive
1	Surface mounted housing bottom entry HB	Aluminium		Without varnish	14	
1	Side clip-LB	Steel	Zinc plated	Blue	13	
1	Surface mounted housing bottom entry HB	Aluminium		Grey	12	Without logo
1	Flange seal	Neoprene		Black	11	
1	Profile seal	Neoprene		Black	10	
1	Clip bolt-ZB	Stainless steel			9	
1	Side clip-LB	Steel	Zinc plated	Blue	8	
1	Side clip-LB	Stainless steel	Blank		7	
1	Side clip-LB	Steel	Zinc plated	Blue	6	
1	Locking clip-VS	Stainless steel			5	
1	Locking clip-VS	Steel	Zinc plated	Blue	4	
1	Surface mounted housing bottom entry HB	Aluminium		Without varnish	3	
1	Surface mounted housing bottom entry HB-K	Aluminium	Aluminium oxide	Black	2	
1	Surface mounted housing bottom entry HB	Aluminium		Grey	1	

QTY	DESCRIPTION	MATERIAL	SURFACE	COLOR	ITEM NO	NOTES
1	Flange seal				21	
1	Profile seal				20	
1	Clip bolt-VS	Steel	Zinc plated	Blue	19	
1	Surface mounted housing bottom entry HB	Aluminium		Grey	18	
1	Surface mounted housing bottom entry HB	Aluminium		Grey	17	Grey 120-160µm
1	Flange seal	Neoprene			16	Conductive
1	Profile seal	Neoprene			15	Conductive
1	Surface mounted housing bottom entry HB	Aluminium		Without varnish	14	
1	Side clip-LB	Steel	Zinc plated	Blue	13	
1	Surface mounted housing bottom entry HB	Aluminium		Grey	12	Without logo
1	Flange seal	Neoprene		Black	11	
1	Profile seal	Neoprene		Black	10	
1	Clip bolt-ZB	Stainless steel			9	
1	Side clip-LB	Steel	Zinc plated	Blue	8	
1	Side clip-LB	Stainless steel	Blank		7	
1	Side clip-LB	Steel	Zinc plated	Blue	6	
1	Locking clip-VS	Stainless steel			5	
1	Locking clip-VS	Steel	Zinc plated	Blue	4	
1	Surface mounted housing bottom entry HB	Aluminium		Without varnish	3	
1	Surface mounted housing bottom entry HB-K	Aluminium	Aluminium oxide	Black	2	
1	Surface mounted housing bottom entry HB	Aluminium		Grey	1	

QTY	DESCRIPTION	MATERIAL	SURFACE	COLOR	ITEM NO	NOTES
1	Flange seal				21	
1	Profile seal				20	
1	Clip bolt-VS	Steel	Zinc plated	Blue	19	
1	Surface mounted housing bottom entry HB	Aluminium		Grey	18	
1	Surface mounted housing bottom entry HB	Aluminium		Grey	17	Grey 120-160µm
1	Flange seal	Neoprene			16	Conductive
1	Profile seal	Neoprene			15	Conductive
1	Surface mounted housing bottom entry HB	Aluminium		Without varnish	14	
1	Side clip-LB	Steel	Zinc plated	Blue	13	
1	Surface mounted housing bottom entry HB	Aluminium		Grey	12	Without logo
1	Flange seal	Neoprene		Black	11	
1	Profile seal	Neoprene		Black	10	
1	Clip bolt-ZB	Stainless steel			9	
1	Side clip-LB	Steel	Zinc plated	Blue	8	
1	Side clip-LB	Stainless steel	Blank		7	
1	Side clip-LB	Steel	Zinc plated	Blue	6	
1	Locking clip-VS	Stainless steel			5	
1	Locking clip-VS	Steel	Zinc plated	Blue	4	
1	Surface mounted housing bottom entry HB	Aluminium		Without varnish	3	
1	Surface mounted housing bottom entry HB-K	Aluminium	Aluminium oxide	Black	2	
1	Surface mounted housing bottom entry HB	Aluminium		Grey	1	

THIS DRAWING IS A CONTROLLED DOCUMENT. DWN: Schweigen 23.07.1997
CHK: Kramer 23.06.1998

TE Connectivity

NAME: Surface Mounted Housing Bottom Entry HB.10

PRODUCT SPEC: 108-74001/74003
APPLICATION SPEC: 114-74001/74004/74005

SIZE: A1 CAGE CODE: 00779 DRAWING NO: 1102271

RESTRICTED TO: -

CUSTOMER DRAWING SCALE: 1:1 SHEET: 1 OF 1 REV: B4