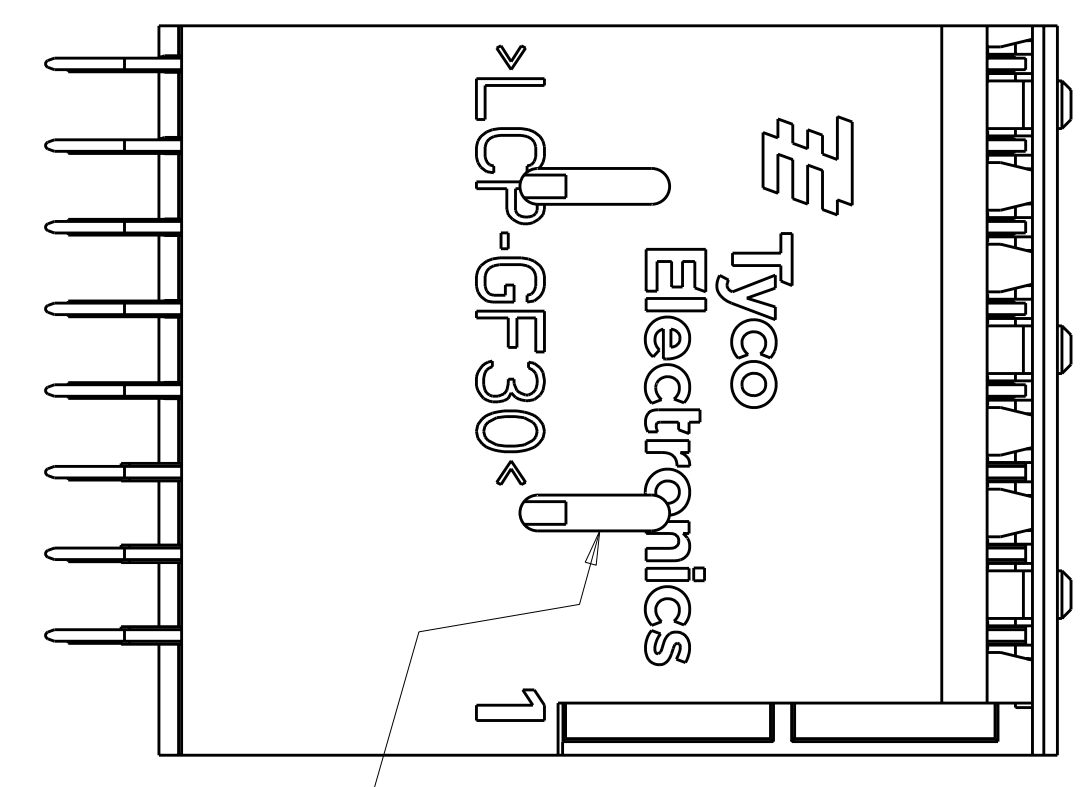


LOC	DIST	REV	DATE	BY	APP'D
DF	A5	1	05AUG2009	BY	MM



SLOTS FOR RECEIVING SHIELD
 RETENTION LEGS

- △ HOUSING: LCP, UL94V0, COLOR: BLACK.
 CONTACT: PHOSPHOR BRONZE.
 POST: BRASS WIRE
- △ CONTACT: 1.27µm MIN GOLD IN PAD CONTACT AREA, 1.27µm MIN TIN-LEAD ON PCB TAIL OVER 1.27µm MIN. NICKEL OVER ALL.
 POST: 1.27µm MIN NICKEL PLATED.
- △ MANUFACTURING TOLERANCE FOR $\phi 0.46 \pm 0.05$
 DIAMETER FINISHED HOLE WITH SnPB PLATING:
 DRILLED HOLE = $\phi 0.55 \pm 0.02$
 COPPER PLATING = 0.025-0.050
 Sn PB PLATING = 0.0038-0.0124
 OR MANUFACTURING TOLERANCE FOR $\phi 0.475 \pm 0.05$
 DIAMETER FINISHED HOLE WITHOUT SnPB PLATING:
 DRILLED HOLE = $\phi 0.55 \pm 0.02$
 COPPER PLATING = 0.025-0.050
- △ SEE TABLE 1 FOR INTERCONNECTIONS TO BACKPLANE CONNECTOR.

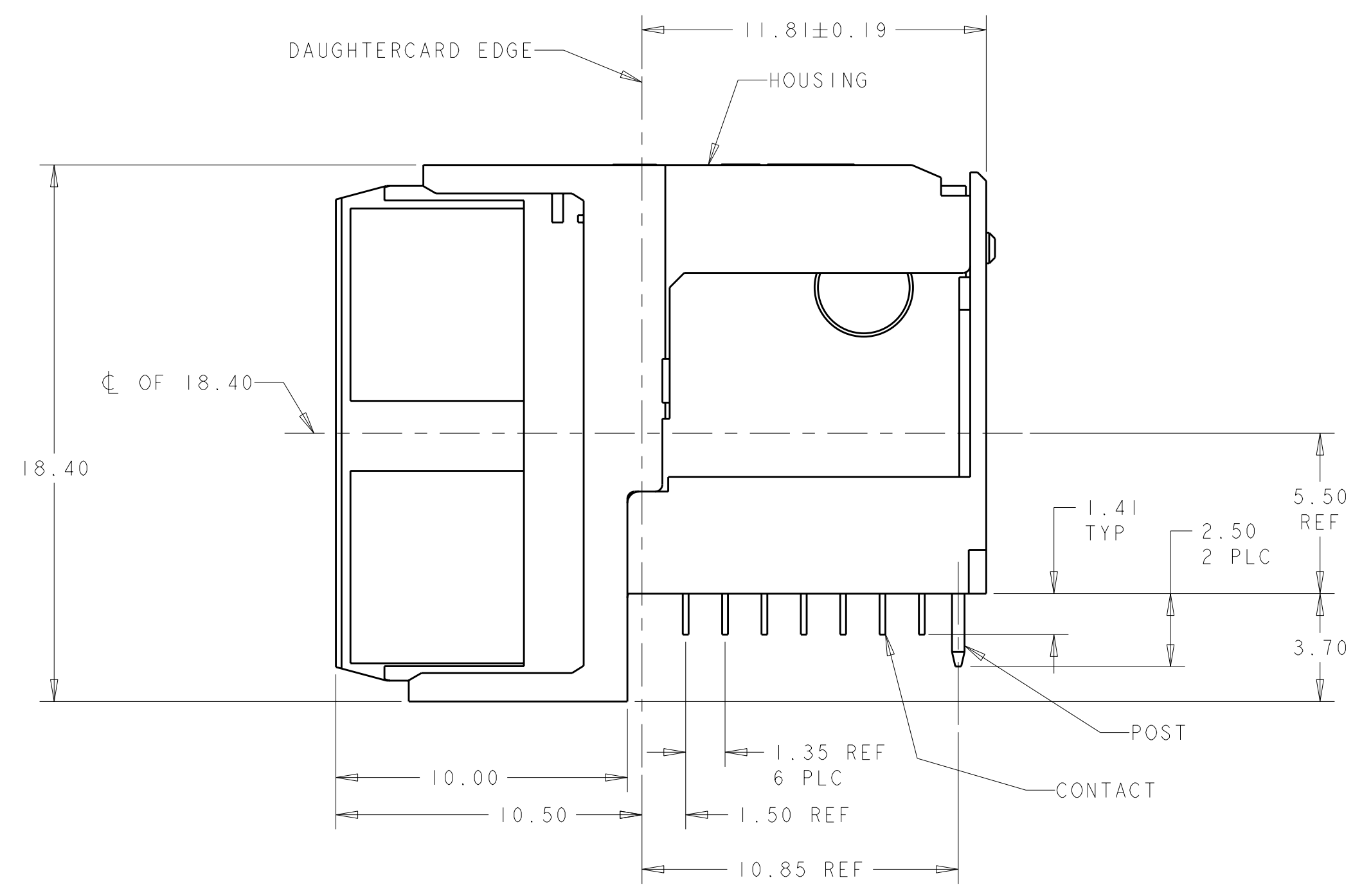
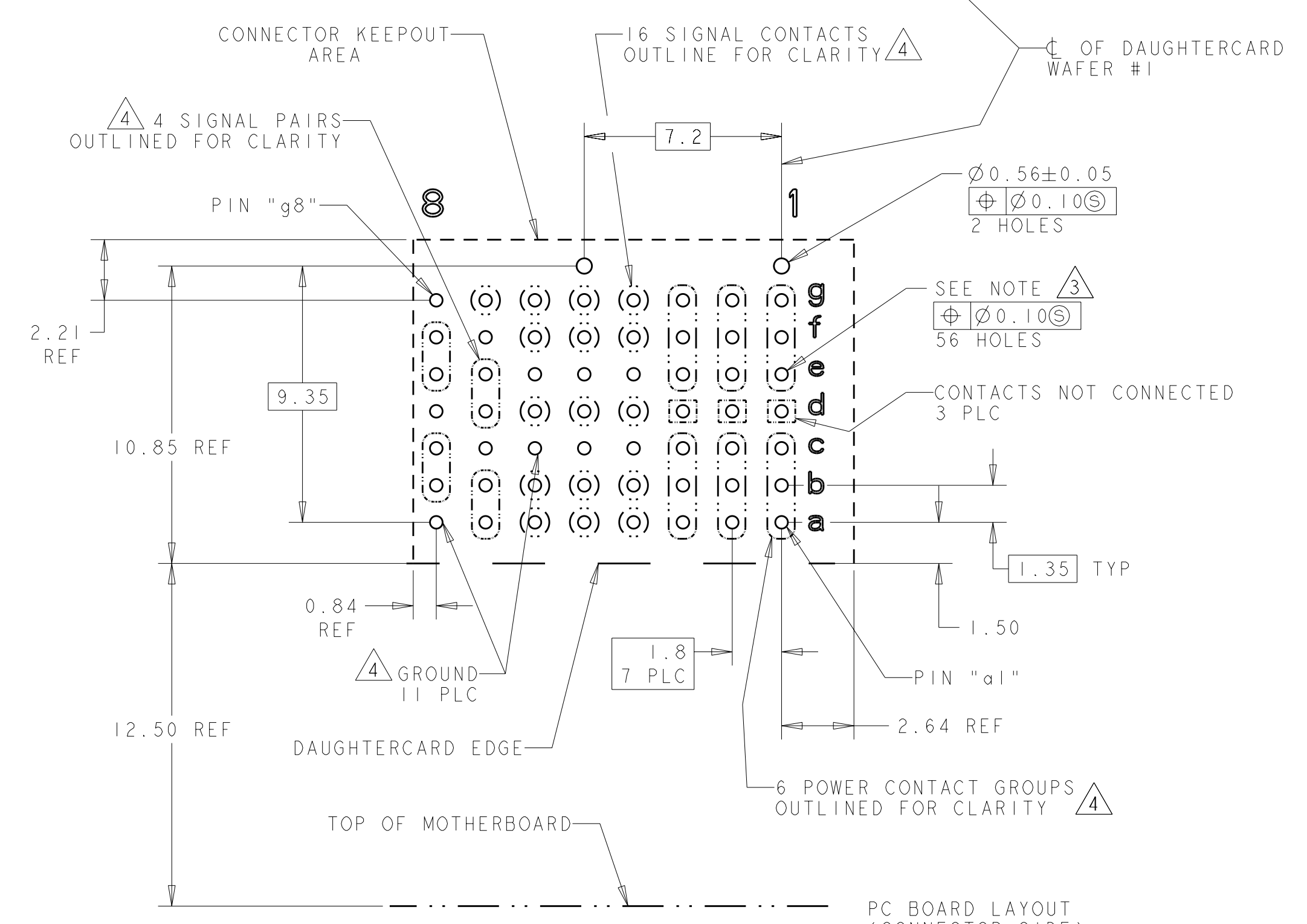
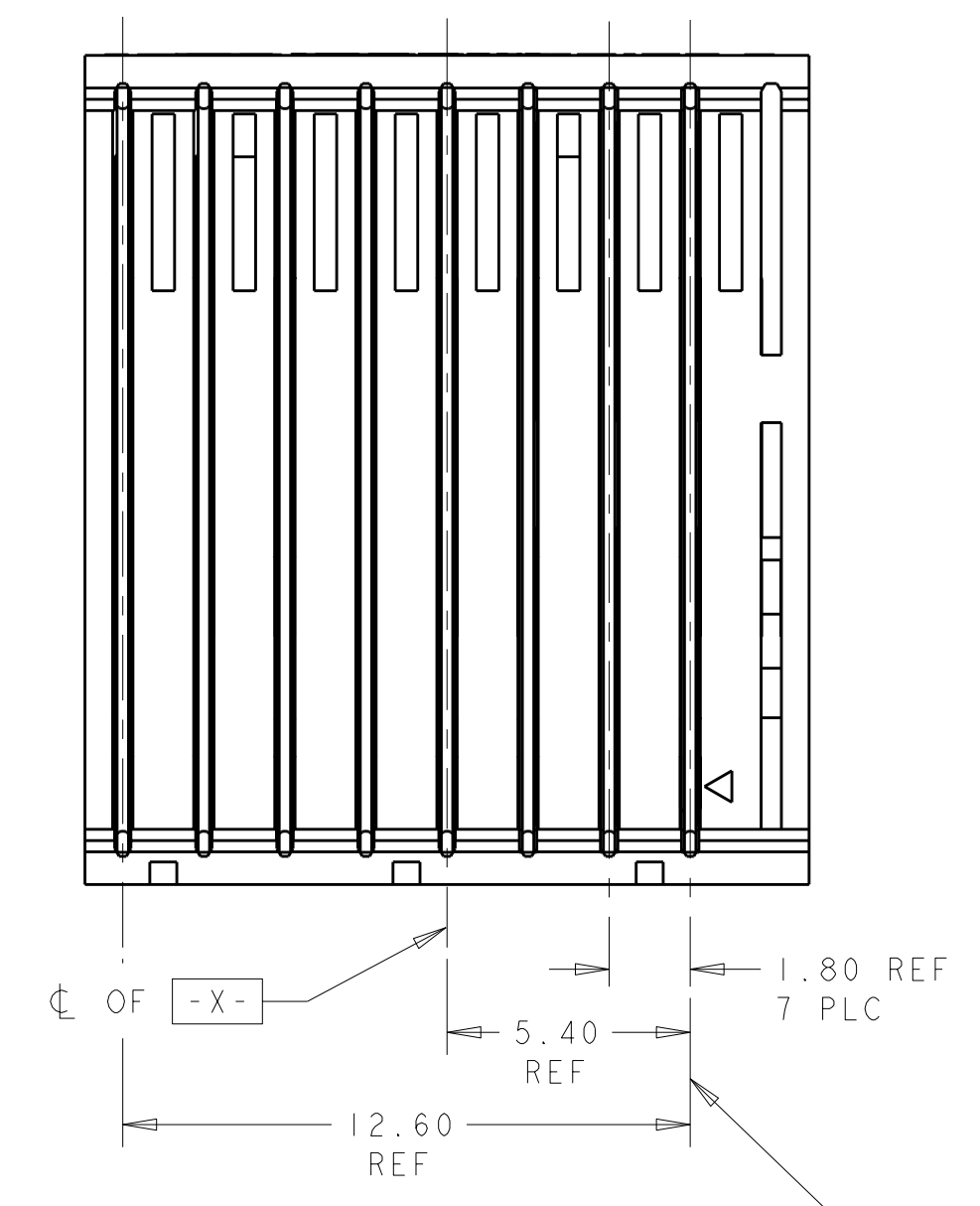


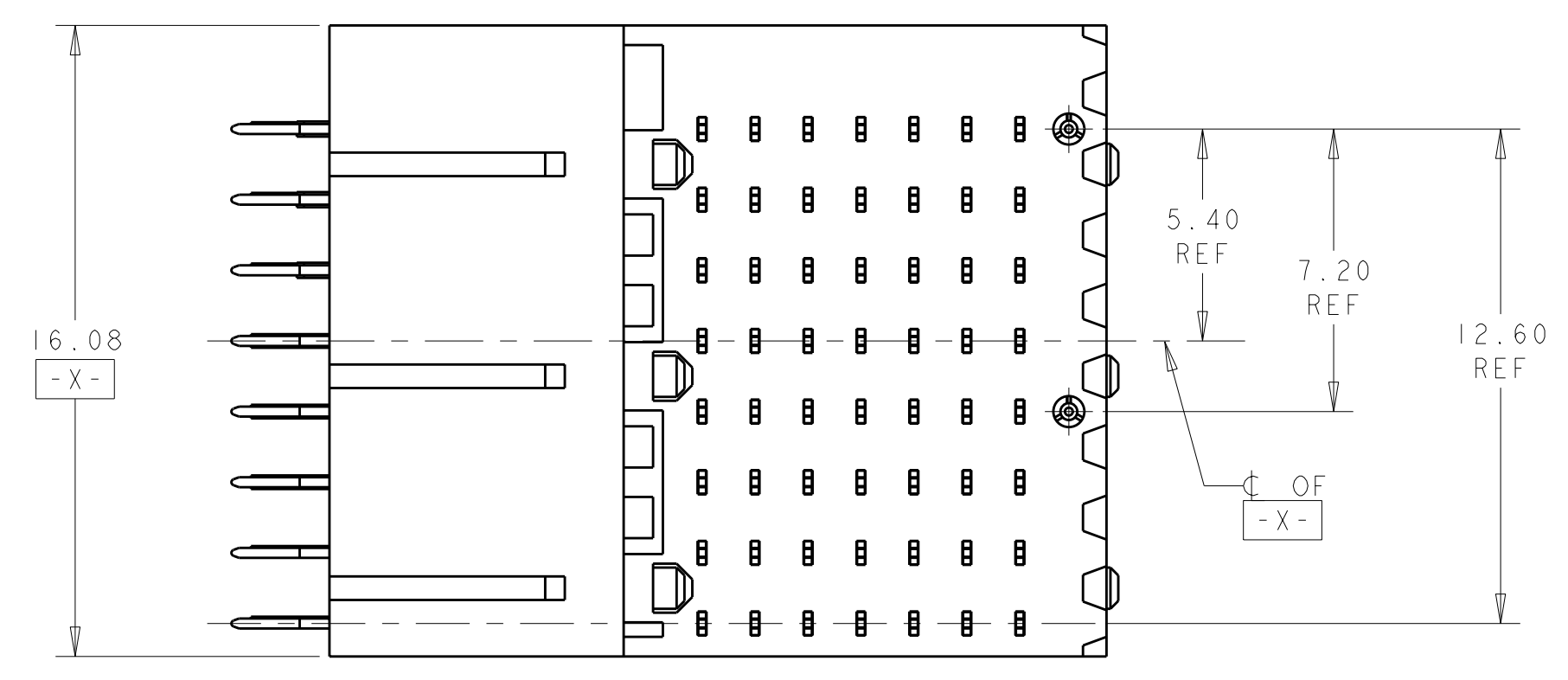
TABLE 1
 INTERCONNECTIONS WITH BACKPLANE
 CONNECTOR 1410186

TYPICAL INTERCONNECTIONS FOR COLUMN (WAFER): 8		
CONTACT USAGE	DAUGHTERCARD CONNECTOR PIN	BACKPLANE CONNECTOR PIN
SIGNAL PAIR	bx	cx
	cx	dx
SIGNAL PAIR	ex	gx
	fx	hx
GROUND	ax, dx, gx, (ALL COMMONED)	ax, bx, ex, fx, ix
TYPICAL INTERCONNECTIONS FOR COLUMN (WAFER): 7		
CONTACT USAGE	DAUGHTERCARD CONNECTOR PIN	BACKPLANE CONNECTOR PIN
SIGNAL PAIR	ax	ax
	bx	bx
SIGNAL PAIR	dx	ex
	ex	fx
SIGNAL	gx	ix
GROUND	cx, fx (ALL COMMONED)	cx, dx, gx, hx
TYPICAL INTERCONNECTIONS FOR EACH COLUMN (WAFER): 4,5,6		
CONTACT USAGE	DAUGHTERCARD CONNECTOR PIN	BACKPLANE CONNECTOR PIN
SIGNAL	ax	bx
SIGNAL	bx	cx
SIGNAL	dx	ex
SIGNAL	fx	gx
SIGNAL	gx	hx
GROUND	cx, ex, (ALL COMMONED)	ax, dx, fx, ix
TYPICAL INTERCONNECTIONS FOR EACH COLUMN (WAFER): 1,2,3		
CONTACT USAGE	DAUGHTERCARD CONNECTOR PIN	BACKPLANE CONNECTOR PIN
POWER	ax, bx, cx	ax, bx, cx, dx
POWER	ex, fx, gx	fx, gx, hx, ix
NOT CONNECTED	dx	ex

NOTE: "x" DESIGNATES THE COLUMN NUMBER



PC BOARD LAYOUT
 (CONNECTOR SIDE)
 SCALE 6:1



THIS PRODUCT HAS NOT COMPLETED VALIDATION TESTING

THIS PRINT IS
PRELIMINARY
 UNQUALIFIED PRODUCT
 CONTACT PRODUCT ENGINEERING
 BEFORE USING THIS PRINT

DIMENSIONS: mm		TOLERANCES UNLESS OTHERWISE SPECIFIED:		DWG: 5AUG2009		REV: 2000875-1	
0 PLC	±	0.13	±	CHY: Brent D. Toth	DATE: 05AUG2009	PART NO	
1 PLC	±0.5	0.13	±	CHK: M.R. MCALONIS	DATE: 05AUG2009	PLATING	
2 PLC	±0.13	0.13	±	APPV: M.R. MCALONIS	DATE: 05AUG2009	PART NO	
3 PLC	±	0.13	±	PRODUCT SPEC: 108-2072	DATE: 05AUG2009	PLATING	
4 PLC	±	0.13	±	APPLICATION SPEC: 114-13056	DATE: 05AUG2009	PART NO	
ANGLES	±	0.13	±	SIZE: 114-13056	DATE: 05AUG2009	PLATING	
MATERIAL:	FINISH:	WEIGHT: -	SCALE: 6:1	CUSTOMER DRAWING		RESTRICTED TO	
SEE TABLE		SCALE: 6:1		CUSTOMER DRAWING		RESTRICTED TO	