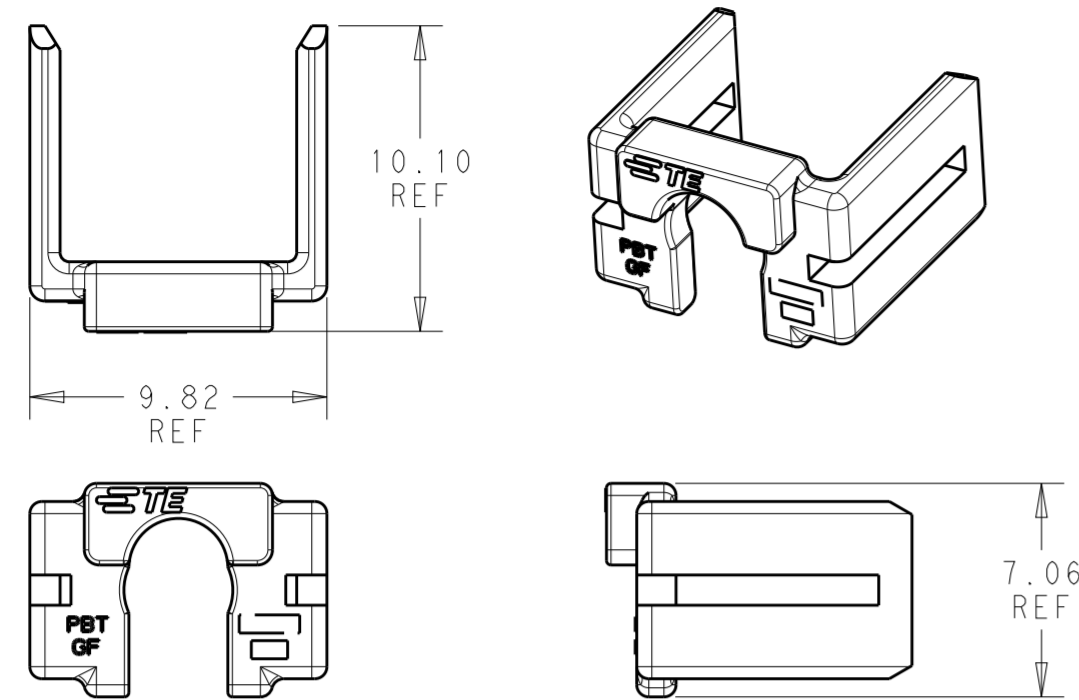
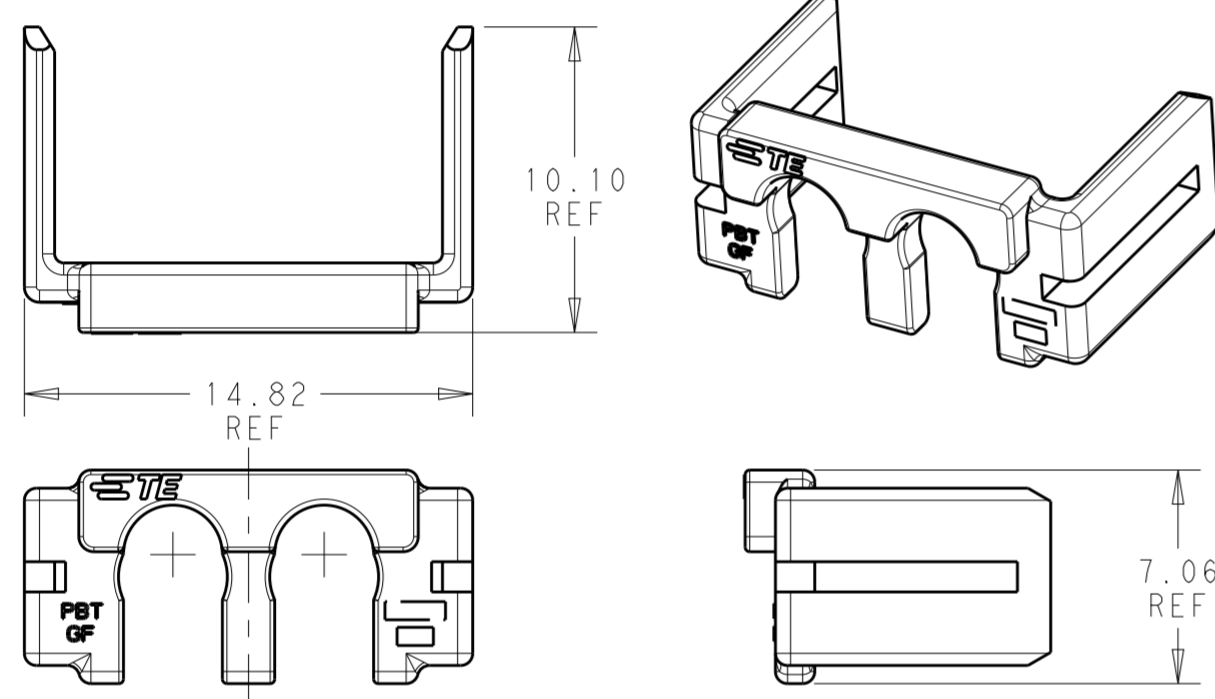


THIS DRAWING IS UNPUBLISHED. RELEASED FOR PUBLICATION
 © COPYRIGHT copyright.d8Te- ALL RIGHTS RESERVED.

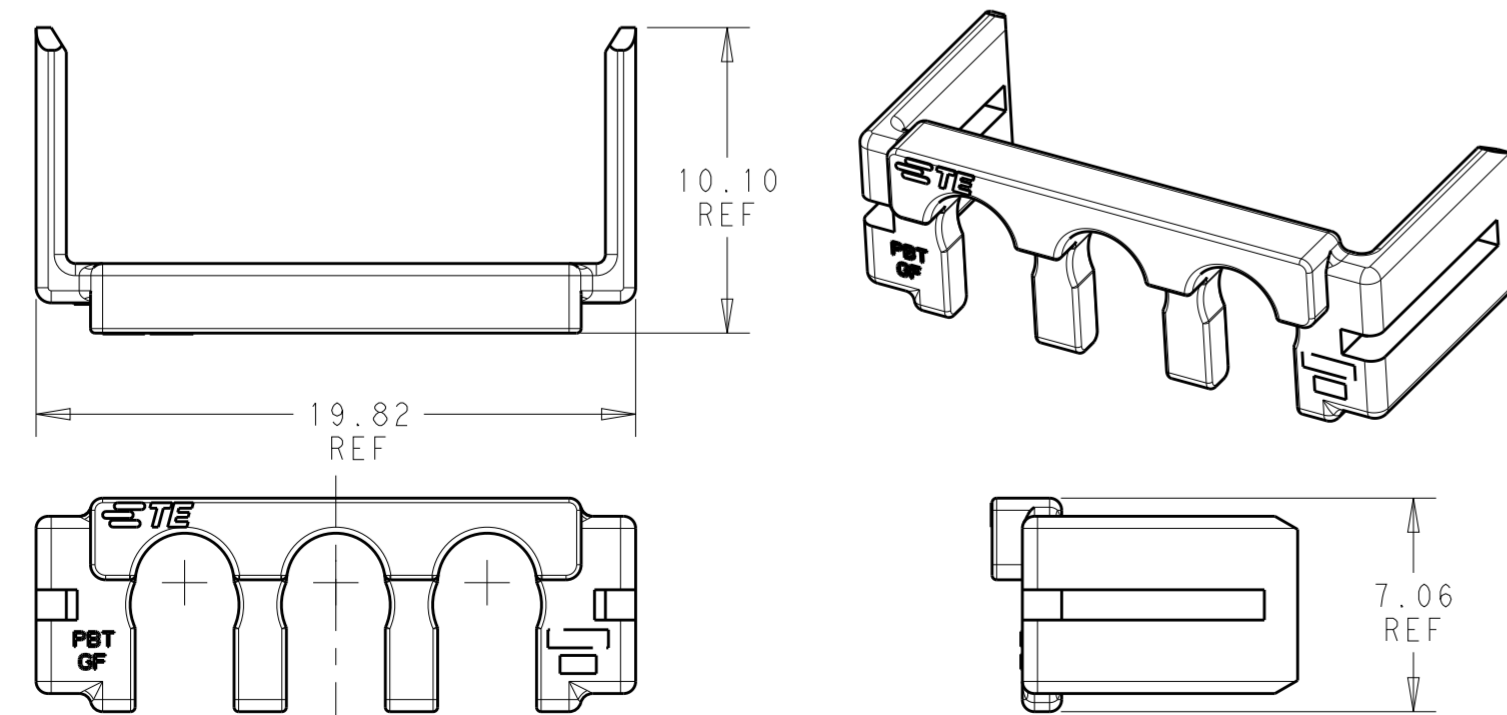
REVISIONS				
P	LTR	DESCRIPTION	DATE	APVD
A		RELEASED PER ECO-19-009353	18JUN2019	BKW GJ
A1		REVISED PER ECR-20-100211	08AUG2020	JP VS



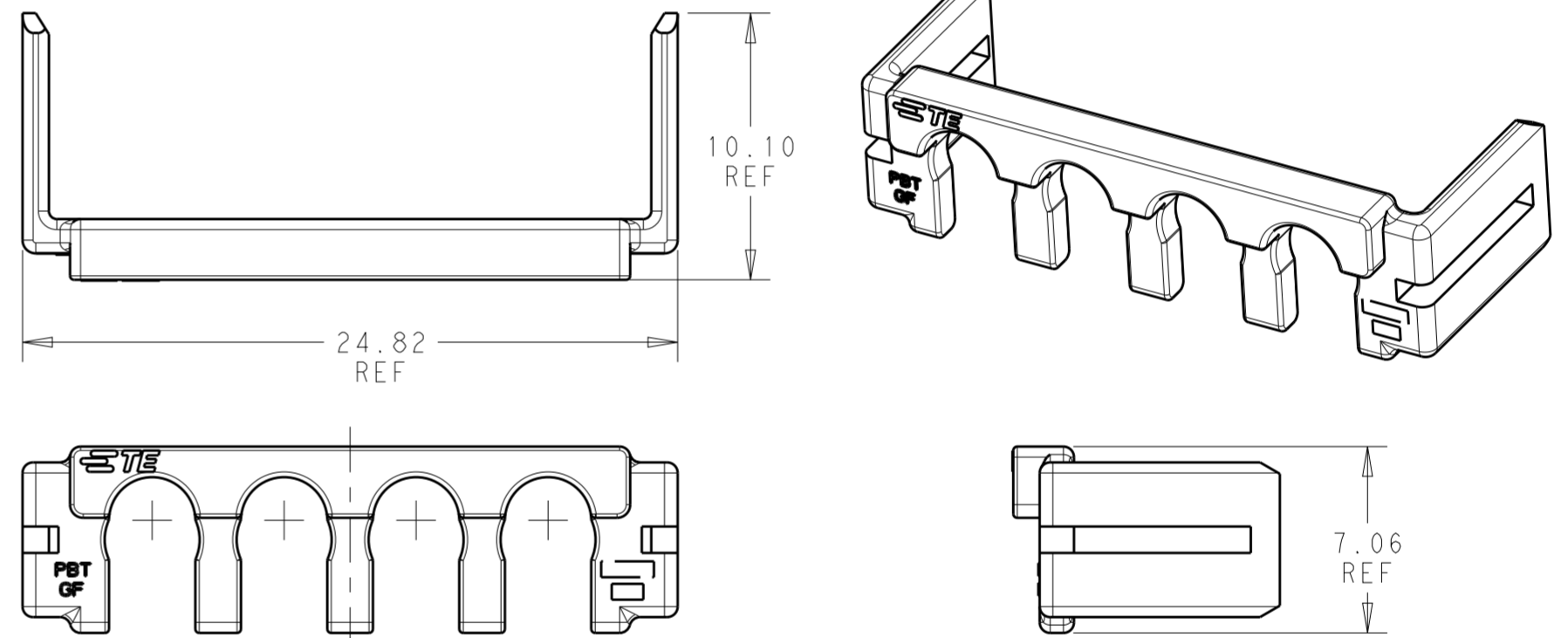
1 * 1 POSITION



1 * 2 POSITION



1 * 3 POSITION



1 * 4 POSITION

- 1. MATERIAL: PBT, GLASS FILLED
COLOR - RED
- 2. FLAMMABILITY: UL94 V-0
- 3. MATING CONNECTOR P/N'S:
CAP HSG - *-2325350-*/*-2325043-*/*-2345729-1
PLUG HSG - *-2332040-*/*-2345728-1
CONTACTS - 2329907-*/2329908-*/2329914-*/2329916-
SEALS - 2325349-*/2329020-*
- 4. PART CAN BE ASSEMBLED 180° (INVERTED)

1 * 4	2334614-4
1 * 3	2334614-3
1 * 2	2334614-2
1 * 1	2334614-1
POSITIONS	PART NUMBER

THIS DRAWING IS A CONTROLLED DOCUMENT.		DWN B. WEAVER 18JUN2018	TE Connectivity	
DIMENSIONS: mm		CHK S. FERNANDES 18JUN2018		
TOLERANCES UNLESS OTHERWISE SPECIFIED:		APVD C. YI 18JUN2018	NAME COVER, POWER VERSA-LOCK	
0 PLC ±		PRODUCT SPEC	SIZE	
1 PLC ±		108-143081	CAGE CODE	
2 PLC ±		APPLICATION SPEC	DRAWING NO	
3 PLC ±		114-143082	RESTRICTED TO	
4 PLC ±		WEIGHT	A2 0079 C-2334614	
ANGLES ±		CUSTOMER DRAWING	SCALE 4:1 SHEET 1 OF 1 REV A1	
FINISH				