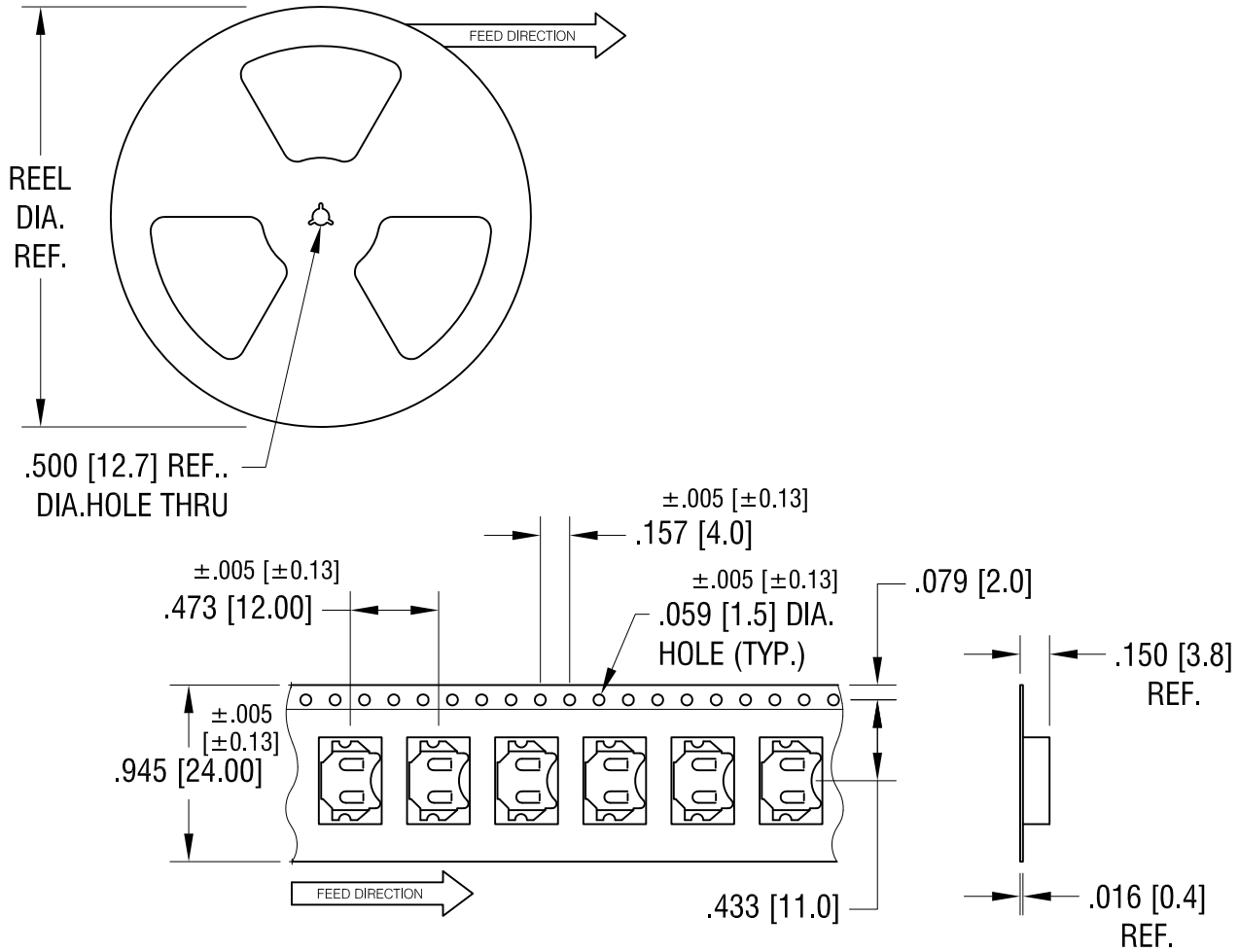


THIS DOCUMENT IS THE PROPERTY OF
KEYSTONE ELECTRONICS CORP. AND
SHALL NOT BE REPRODUCED, DISTRIBUTED
OR USED AS A BASIS FOR MANUFACTURE
WITHOUT PRIOR WRITTEN PERMISSION
FROM KEYSTONE ELECTRONICS CORP.



NOTES:

TAPE AND REEL SPECIFICATIONS:

1. TAPE:

MAT'L - ALL CONDUCTIVE POLYSTYRENE CARRIER
ANSI/EIA-481 STANDARD
.945 [24.0] WIDE; .472 [12.0] PITCH

2. REEL:

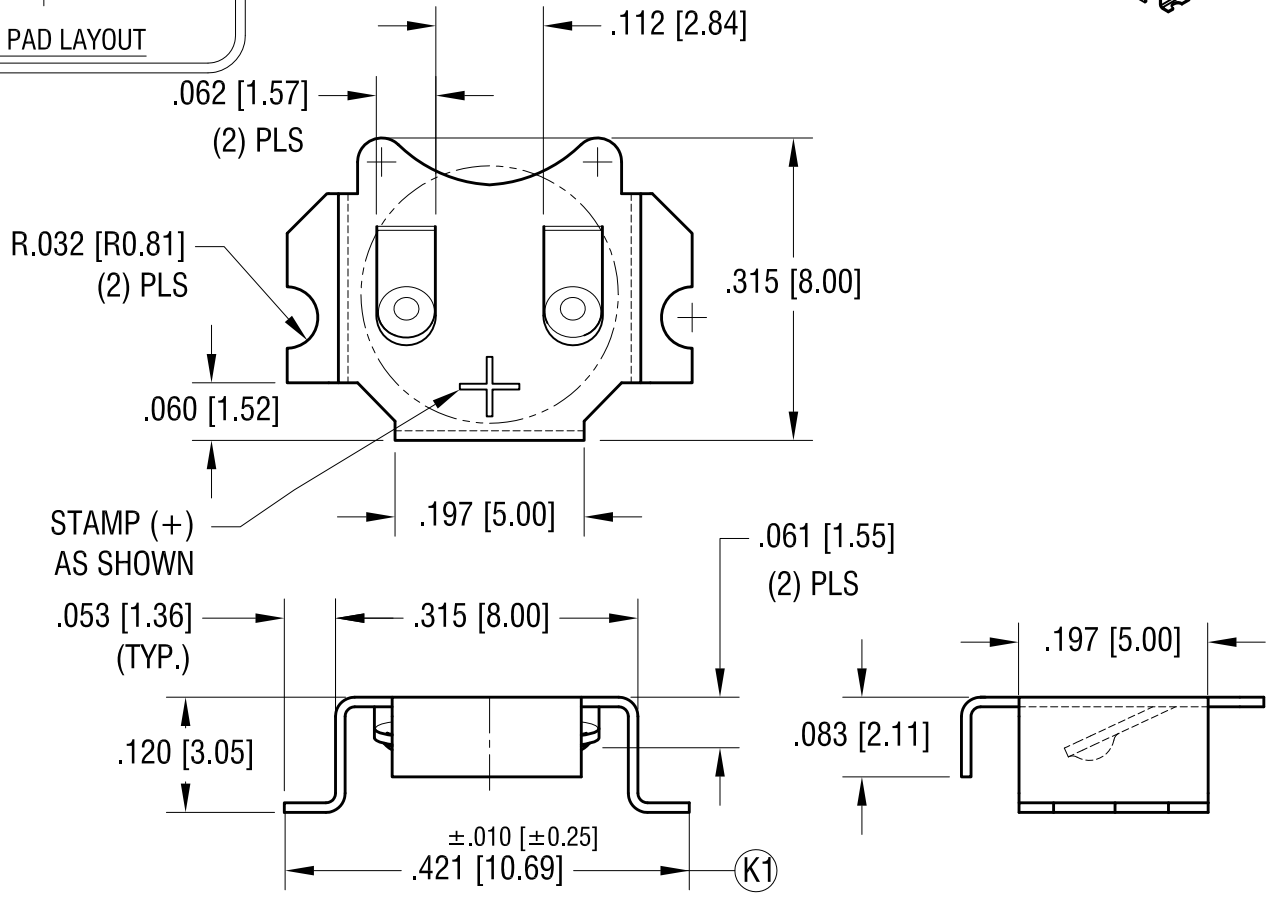
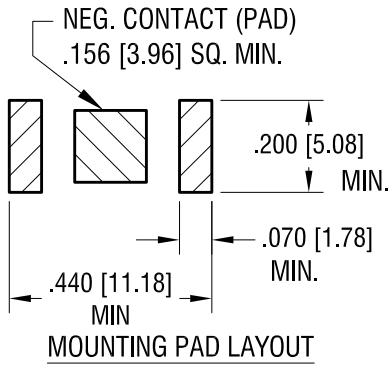
13.0 [330.2] DIA. 1000 PIECES OF
PART NO. 2998 REV.K PER REEL.

5.04.21	CHANGE AS PER ECN 21-057	C
12.30.10	CHANGE AS PER ECN 10-092	B
4.17.06	CHANGE AS PER ECN 06-022	A
DATE	DESCRIPTION	REV.

KEYSTONE ELECTRONICS CORP.			
www.keyelco.com • NEW HYDE PARK, NY 11040 • Tel (516) 328-7500			
PART NAME			
6.8mm SM COIN CELL CLIP ON TAPE & REEL			
MATERIAL			
AS NOTED			
FINISH		DRN BY	DATE
AS NOTED		BOONE	4.24.01
		APP'D	SCALE
		LN	X
TOLERANCES	INCH [MM]	CODE	DWG NO.
DECIMAL	± .015 [± 0.38]	C	2998TR
ANGULAR	± 1°		
UNLESS OTHERWISE SPECIFIED			

THIS DOCUMENT IS THE PROPERTY OF KEYSTONE ELECTRONICS CORP. AND SHALL NOT BE REPRODUCED, DISTRIBUTED OR USED AS A BASIS FOR MANUFACTURE WITHOUT PRIOR WRITTEN PERMISSION FROM KEYSTONE ELECTRONICS CORP.

ACTUAL SIZE



5.04.21	ECN 21-056, (K1) WAS .421±.015	K
4.20.17	CHANGE AS PER ECN 17-036	H
12.27.16	CHANGE AS PER ECN 16-123	G
6.21.13	CHANGE AS PER ECN 13-050	F
8.24.11	CHANGE AS PER ECN 11-114	E
6.22.06	CHANGE AS PER ECN 06-065	D
DATE	DESCRIPTION	REV.

KEYSTONE ELECTRONICS CORP.			
www.keyelco.com • NEW HYDE PARK, NY 11040 • Tel (516) 328-7500			
PART NAME			
6.8mm SM BUTTON CELL RETAINER			
MATERIAL			
.010 [0.25] TH'K PHOSPHOR BRONZE			
FINISH		DRN BY	DATE
TIN NICKEL PLATE		BOONE	8.28.00
		APP'D	SCALE
		LN	5X
TOLERANCES	INCH [MM]	CODE	DWG NO.
DECIMAL	± .005 [± 0.13]	C	2998
ANGULAR	± 1°		
UNLESS OTHERWISE SPECIFIED			