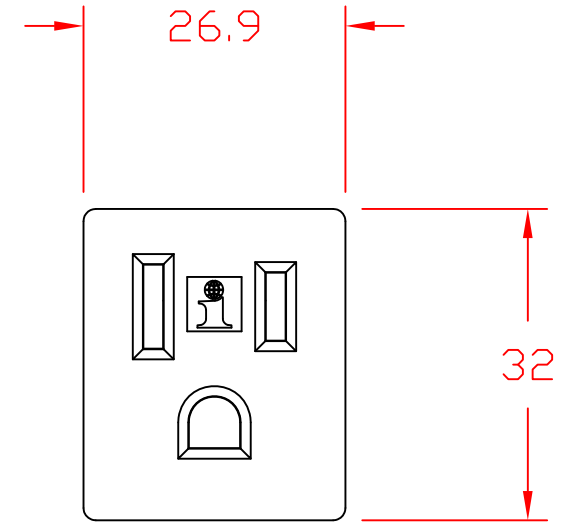
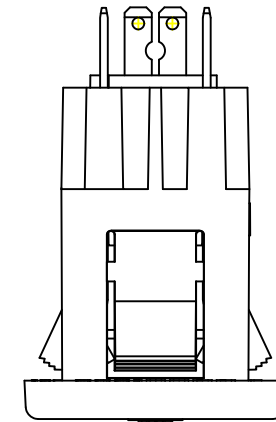
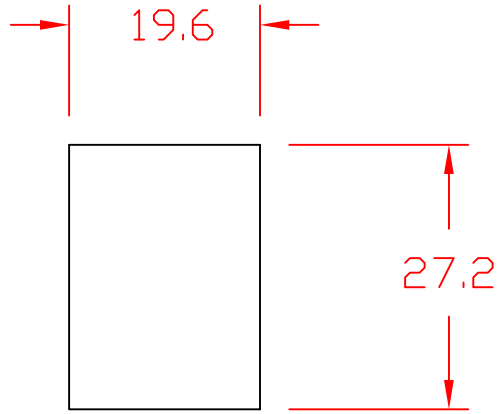
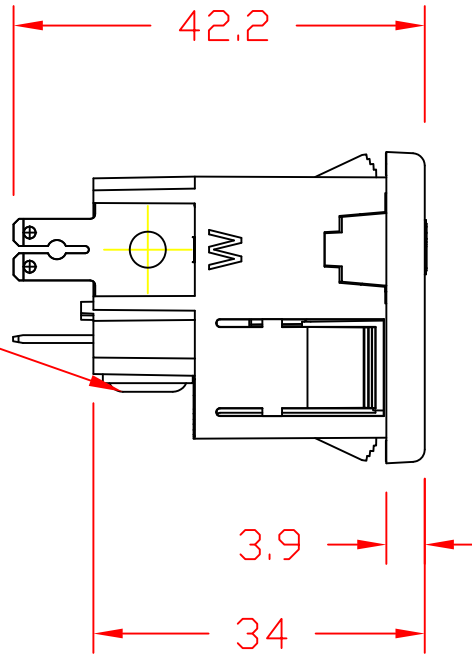


NOTE:  
TOLERANCES +/- .18MM ON ALL DIMENSIONS



8-32 GROUND SCREW  
WITH SQUARE WASHER



MAX. PANEL THICKNESS: .81-2.00mm  
(.032"-.079")

THIS DOCUMENT AND ITS CONTENTS ARE THE PROPRIETARY CONFIDENTIAL  
PROPERTY OF INTERPOWER CORPORATION. NO USE OR COPIES  
MAY BE MADE WITHOUT WRITTEN PERMISSION FROM INTERPOWER CORPORATION.

DIMENSIONS IN MILLIMETERS

TITLE NEMA 5-15 Socket

DRAFT BY: RLB DATE: 9-25-12

PART NUMBER: 88212100

DRAFTING APPROVAL: DATE:

A	Drawing Released	9-25-12	RLB
REV	CHANGE DESCRIPTION	DATE	INITIALS

MATERIAL:

DO NOT SCALE

INTERPOWER CORPORATION

SHEET 1 OF 1