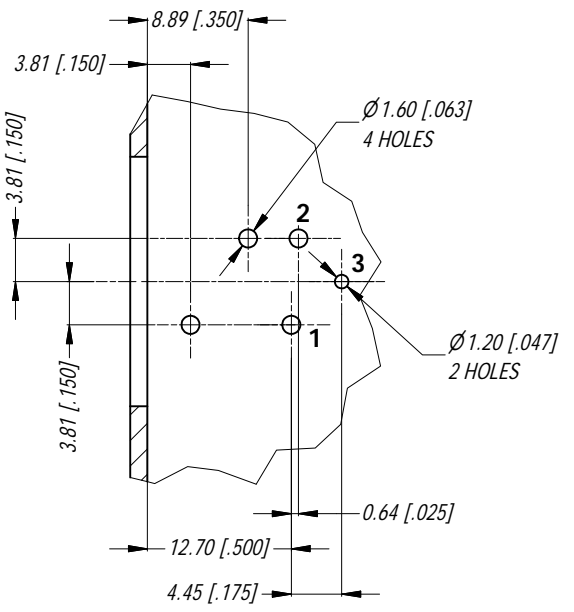
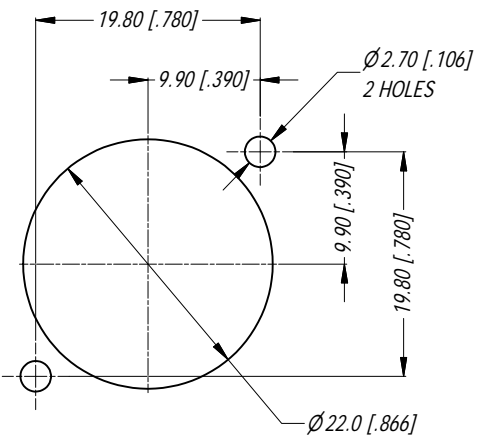


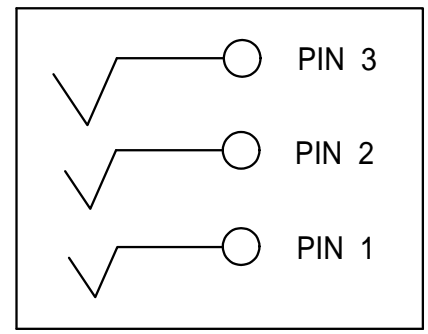
MIN MOUNTING PITCH (1:1)



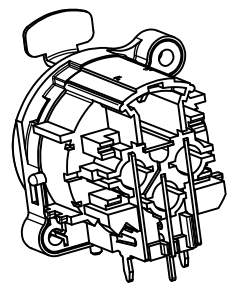
PCB LAYOUT
TOLERANCE : ±0.05 [0.002 in]
NOTE: DIMS IN PARENTHESES ARE IN INCHES



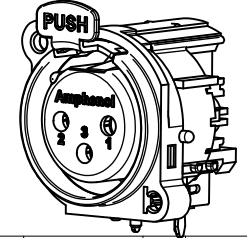
PANEL CUT OUT REAR VIEW



SCHEMATIC CHART



3D VIEW (1:1)



REV	DESCRIPTION	DATE	BY	CHG NO
2	ADD SUFFIX TO PART No.	27/08/15	T.N	9318
1	CHANGE NEW LEVER & SPRING	18/12/08	A.O	8793
0	FIRST ISSUE	18/04/07	T.N	8686

REVISION HISTORY

UNLESS OTHERWISE SPECIFIED TOLERANCE TO BE:		THIS DOCUMENT IS THE PROPERTY OF AMPHENOL AUSTRALIA PTY. LTD. NO PART THEREOF MAY BE REPRODUCED AND USED WITHOUT THE PRIOR WRITTEN CONSENT OF THE OWNER			
LINER	ANGULAR	CAD FILE:	DRN:	DATE:	
X ±	X' ± 1	55010468000221	T.N	17/04/07	
X.X ±	X.X' ± 30°	MATL:	P.M	DATE:	
X.XX ±	X.XX' ± 15°	REFER TO COMPONENTS	P.M	07/04/09	
BREAK ALL SHARP EDGES AND REMOVE ALL BURRS		FINISH:	P.M	DATE:	
DO NOT SCALE		REFER TO COMPONENTS	P.M	07/04/09	
DIMENSIONS IN MILLIMETRES		SCALE:	3:2	PART No:	AC3FBH-AU-B

TITLE:
XLR FEMALE B TYPE CONNECTOR
CUSTOMER DWG

Amphenol
Amphenol Australia Pty.Ltd. 2 Fiveways Blvd. Keysborough, Vic3173
DRAWING NO. **55010468-000-2** SHEET **2/2**

NOTE: SUFFIX "B" IN THE PART No. INDICATES BULK PACK.