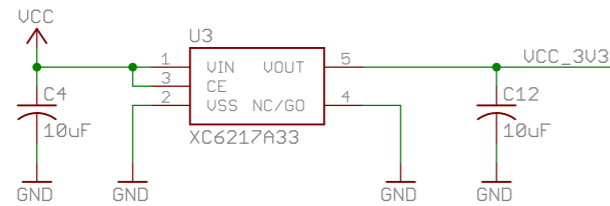
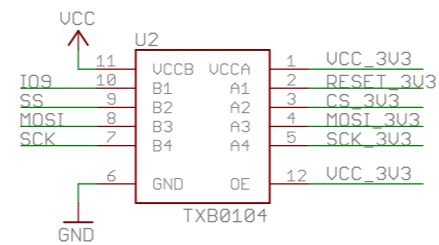


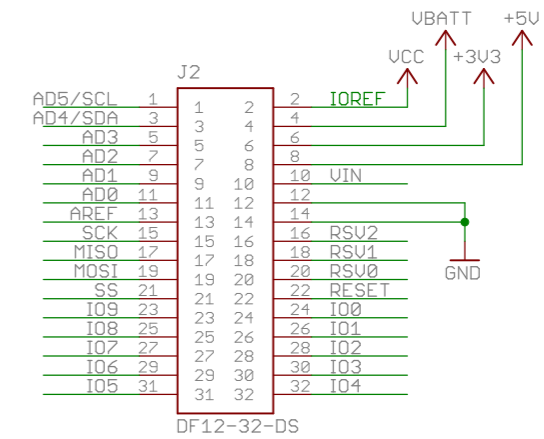
3.3V Power Supply



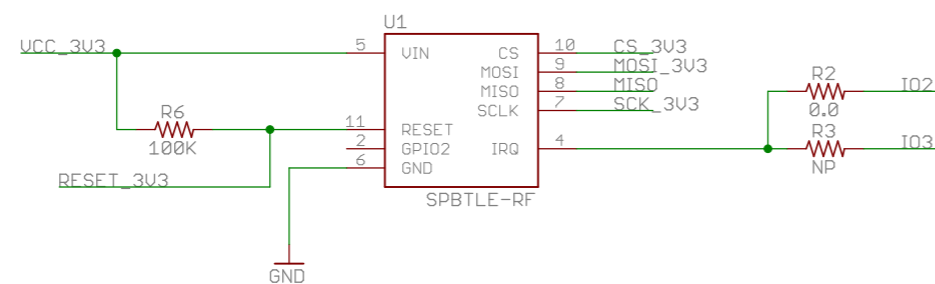
Level Shifter



TinyShield Expansion - Bottom

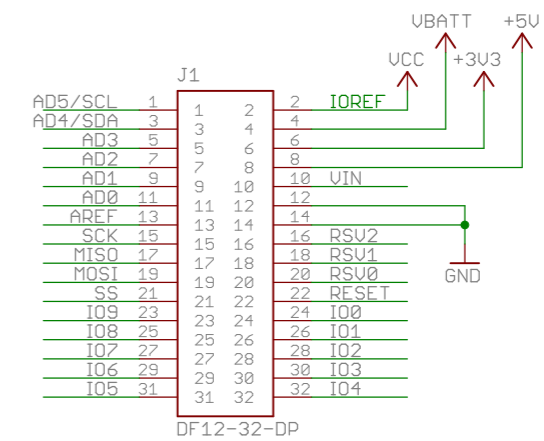


ST SPBTLE-RF BLE Module



Interrupt Output
 R2 populated by default
 R3 non-populated by default

TinyShield Expansion - Top



Released under the Creative Commons Attribution Share-Alike 3.0 License
<http://creativecommons.org/licenses/by-sa/3.0>

Original Arduino Uno Design by Team Arduino
 LilyPad Arduino Design by Leah Buechley and Sparkfun Electronics
 TinyDuino, TinyLily and TinyShield Designs by TinyCircuits

		http://www.TinyCircuits.com	
TITLE: TinyShield - ST BLE			
Document Number: AS-SCH-ASD2116			REV: 1
Date: 3/25/2016 1:18:46 PM			Sheet: 1/1