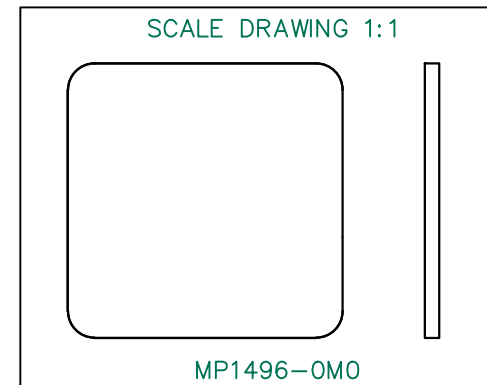
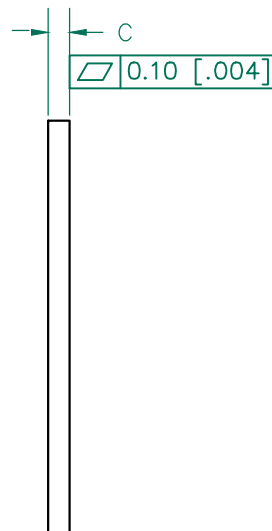


R 3.18 [.125]
4 PLCS.



NOTES:

1. COSMETIC SPECIFICATION REFER TO WI-QA-038.

DIMENSIONS:

A	38.00 [1.496]	± 0.93 [.036]
B	38.00 [1.496]	± 0.93 [.036]
C	2.00 [.079]	± 0.15 [.006]

WEIGHT/1000 14.23 kgs [31.36 Lbs]

DIMENSIONS ARE IN mm [INCHES].				This print is the property of Laird Tech. and is loaned in confidence subject to return upon request and with the understanding that no copies shall be made without the written consent of Laird Tech. All rights to design or invention are reserved.			
				PROJECT/PART NUMBER:	REV	PART TYPE:	DRAWN BY:
				MP1496-0M0	A	FERRITE PLATE	Jcai
				DATE:	SCALE:	MATERIAL:	
				11/13/13	1.5 : 1	Ferrite	
				CAD #	TOOL #		
				MP1496-0M0-A	P1496		
REV	DESCRIPTION	DATE	INT				
A	ORIGINAL DRAFT	11/13/13	Jcai				