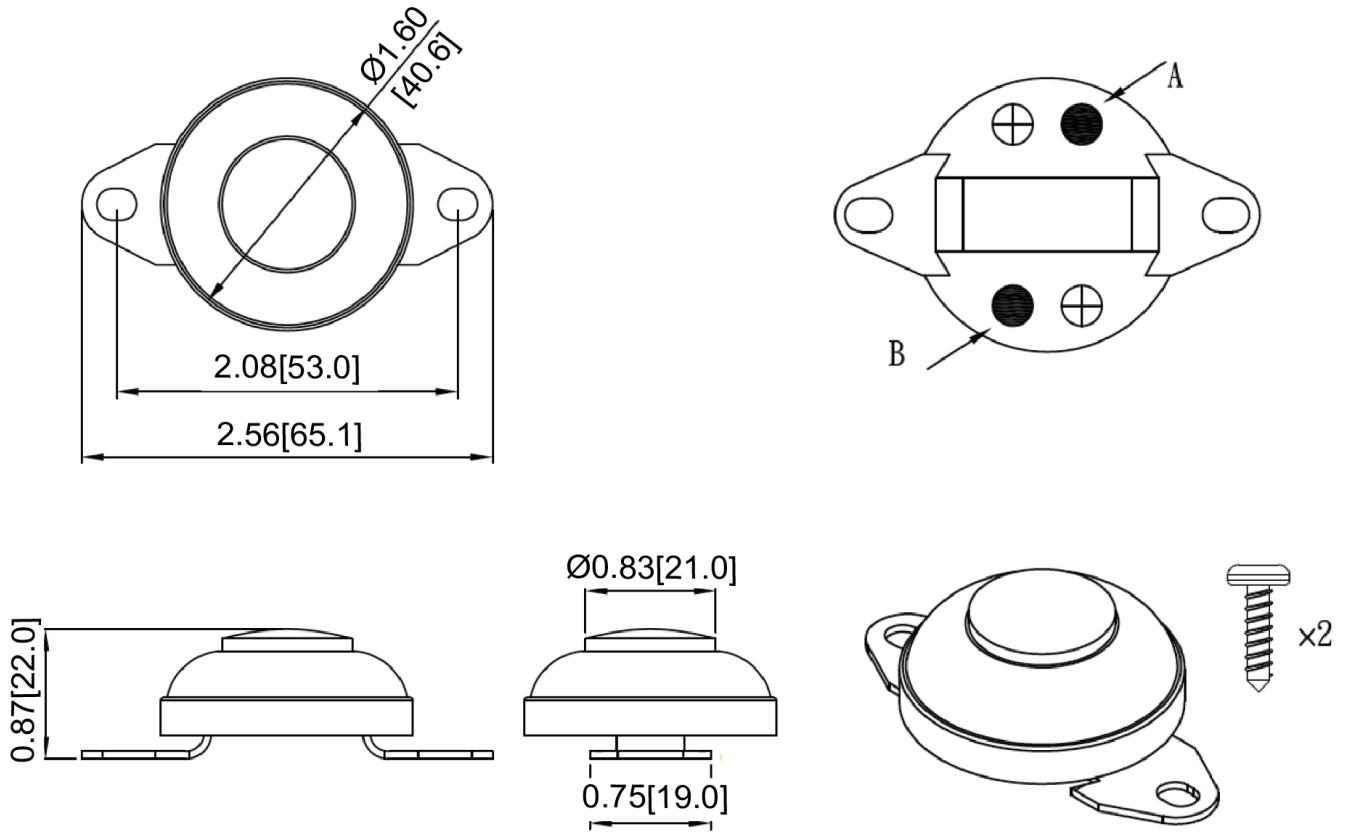
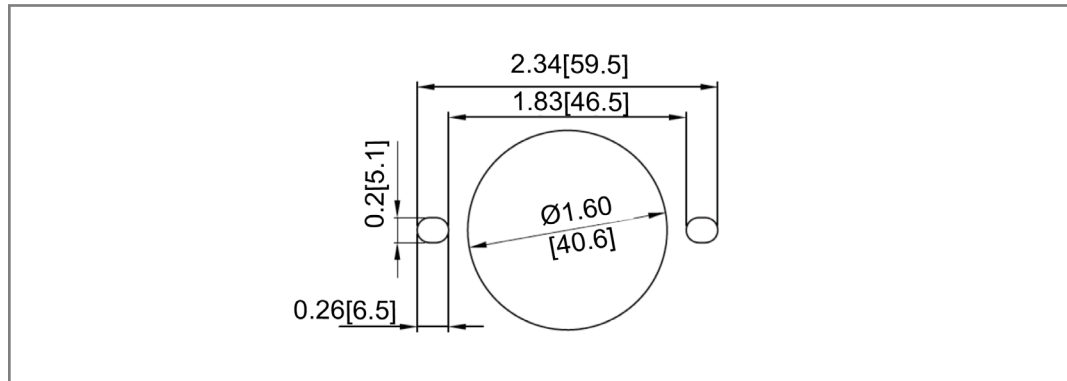


Mechanical Dimensions: Inches [mm]

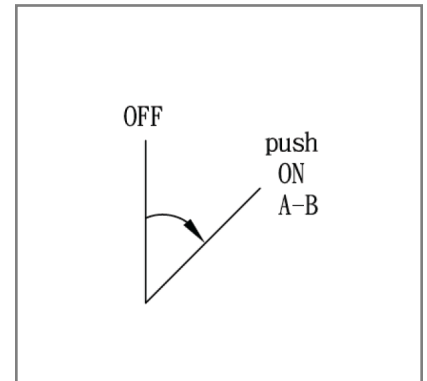
Tolerances ± 0.012 [0.3] Unless Otherwise Specified



Mounting Hole



Circuit Diagram



Electrical Specifications

Rating	5A 12VDC

Material Specifications

Terminals	5A 12VDC 2 screws (#6-20, 7/32" length)

Rev	Date of issue	Revision Notes	Designed	Approved
A	10-25-2019	Initial Drawing	RC	OF