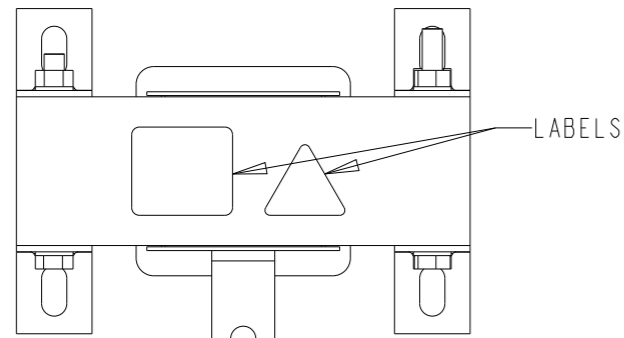


© 20 BY -

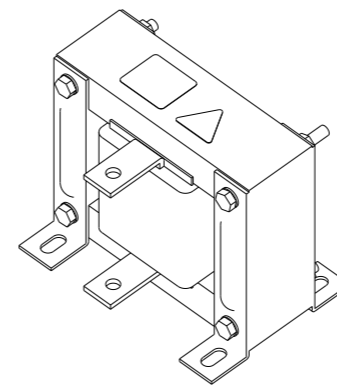
REVISIONS

P	LTR	DESCRIPTION	DATE	DWN	APVD
	A	RELEASED FOR PRODUCTION	10FEB2023	DM	CB
	AI	ADDING PRODUCT DATA	07MAR2023	DM	CB



LABELS

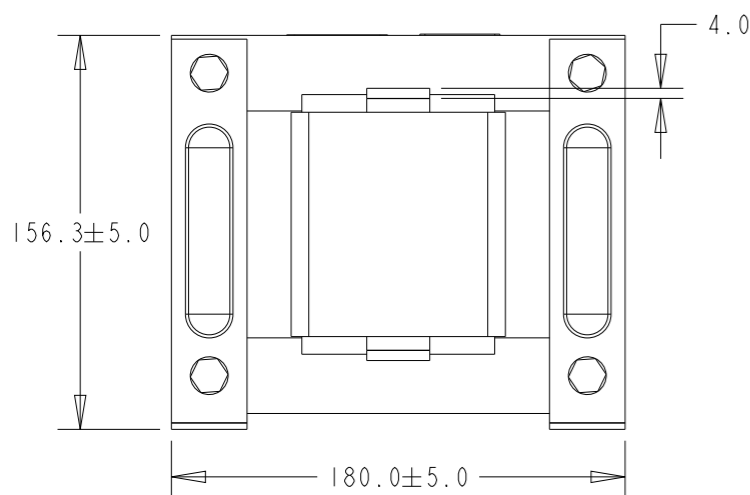
25.0



NOMINAL OPERATING VOLTAGE (VAC)	230
RATED OPERATING VOLTAGE (VAC)	250
FREQUENCY (Hz)	50 / 60
RATED CURRENT (AMPS)	150
OP. TEMP. RANGE @ RATED CURRENT	-45°C to +45°C
RATED POWER @ 230VAC (kW)	31.05
RATED POWER @ 230VAC (HP)	41.62
IMPEDANCE @ 230VAC (%)	4
INDUCTANCE, NOMINAL (mH)	0.195
POWER OVERLOAD, 1 MINUTE EVERY HOUR	1.6
VOLTAGE WITHSTAND 1 MINUTE (kVAC)	2
POLLUTION DEGREE	PD2
COOLING	NATURAL
PROTECTION CLASS	IP00
INSULATION CLASS	N
STORAGE TEMPERATURE RANGE (°C)	-45°C to +100°C
CLIMATIC CATEGORY	45/100/21
DESIGN CORRESPONDING TO	EN61558-2-20, EN60076-6, UL61800-5-1

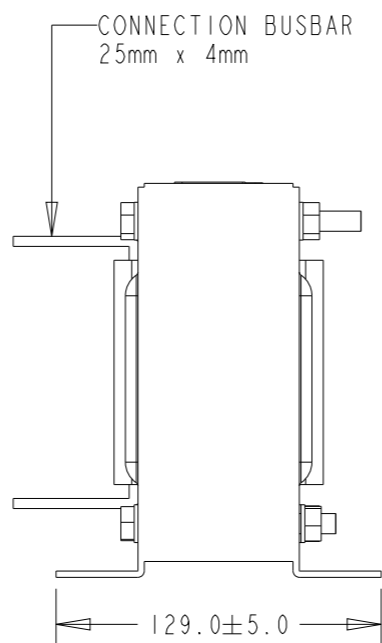
PRODUCT DESIGN NOTE

DESIGN IN ACCORDANCE WITH UL 508



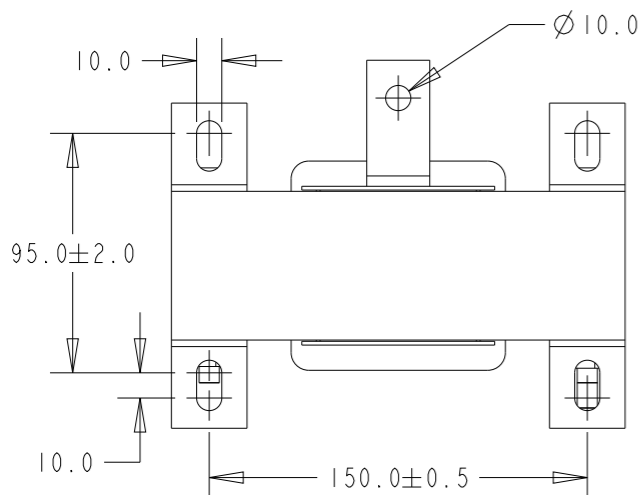
156.3±5.0

180.0±5.0



CONNECTION BUSBAR
25mm x 4mm

129.0±5.0



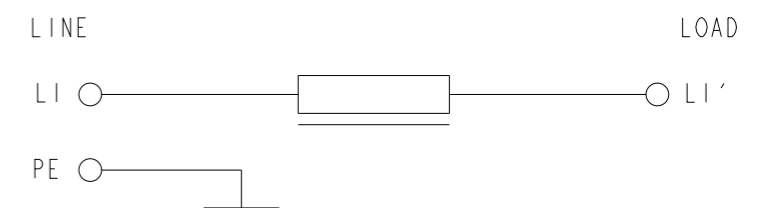
95.0±2.0

150.0±0.5


DE-RATING FORMULAE FOR OPERATION ABOVE 45°C AMBIENT CONDITIONS:

$$I = I_n \sqrt{\frac{100 - T_{a\ new}}{100 - 45}}$$

TYPICAL CIRCUIT DIAGRAM



RoHS COMPLIANT

THIS DRAWING IS A CONTROLLED DOCUMENT.		DWN C. BOLLE 05OCT2022	 TE Connectivity	
DIMENSIONS: mm		CHK C. BOLLE 05OCT2022		
TOLERANCES UNLESS OTHERWISE SPECIFIED:		APVD L. RAJ 05OCT2022	NAME RPO-1-150 SINGLE LINE REACTOR	
0 PLC ±- 1 PLC ±0.1 2 PLC ±0.01 3 PLC ±0.001 4 PLC ±0.0001 ANGLES ±-		PRODUCT SPEC -	RESTRICTED TO -	
MATERIAL -		FINISH -	APPLICATION SPEC -	SIZE A3
-		WEIGHT -	CAGE CODE 00779	DRAWING NO G-1-2432408-8
-		CUSTOMER DRAWING	SCALE 1:3	SHEET 1 OF 1
-				REV AI