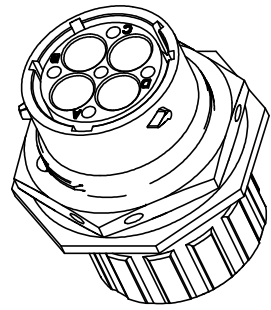
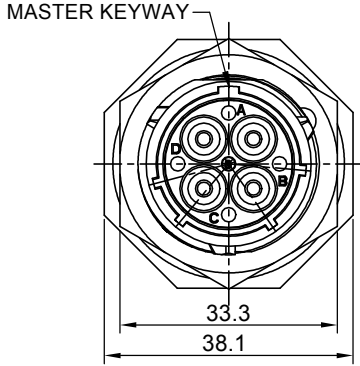
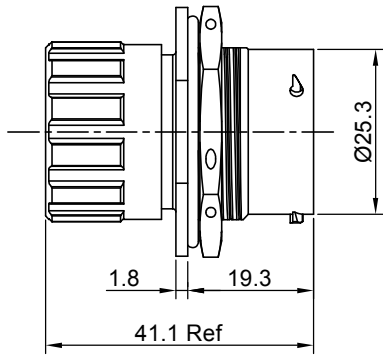
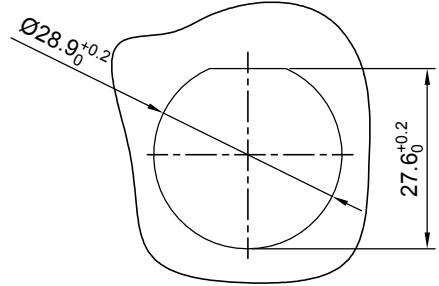


REVISIONS					
REV	ECO	DESCRIPTION	DATE	BY	APPR
B1	-	RELEASED DRAWING	Sep-01-2014	Ben	Tommy
B2	-	Modify Dimension	Arp-27-2017	Ben	Tommy
B3	-	Modify wire range	Mar-1-2019	Flan	Tommy



- NOTES : (UNLESS OTHERWISE SPECIFIED)**
- MATERIAL :**
 SHELL : ZINC ALLOY , NICKEL PLATED.
 INSERT : THERMOPLASTIC , UL94 V-0.
 END CAP : THERMOPLASTIC , UL94 V-0.
 PLASTIC BUSHING : THERMOPLASTIC , UL94 V-0.
 NUTS : AL ALLOY NICKEL PLATED.
 SEAL GASKET : NBR/SILICONE RUBBER.
 O-RING : NBR/SILICONE RUBBER.
 WIRE SEAL : SILICONE RUBBER.
 - SPECIFICATIONS :**
 2.1 RATED CURRENT : 45A (MAX) .
 2.2 RATED VOLTAGE : 600V(AC/DC).
 2.3 OPERATING TEMPERATURE : SEE CHART.
 2.4 DIELECTRIC WITHSTANDING VOLTAGE : LESS THAN
 2 MILLIAMPS CURRENT LEAKAGE@2000 VOLTS AC.
 2.5 INSULATION RESISTANCE : 5000 MEGOHMS MIN.
 2.6 IP--CLASS : IP67.
 2.7 MATING CYCLES DURABILITY : 500 CYCLES MIN.
 2.8 RoHS COMPLIANT.
 - SUITABLE CONTACTS : 8# CONTACTS.**
 - ALL DIMENSIONS ARE FOR REFERENCE USE ONLY.**
 - CONTACT SIZE AND REAR SEAL WIRE RANGE :**

CONTACT SIZE	MIN. INSUL O.D.	MAX. INSUL O.D.	WIRE RANGE
8#	Ø2.8mm	Ø4.1mm	12 AWG



PANEL CUT OUT REFERENCE

KEY POS	PART NUMBER	
	-40°C ~ 105°C	-40°C ~ 125°C
N	RT07164PNHEC	RT07164PNHEC03
W	RT07164PWHEC	RT07164PWHEC03
X	RT07164PXHEC	RT07164PXHEC03
Y	RT07164PYHEC	RT07164PYHEC03
Z	RT07164PZHEC	RT07164PZHEC03

QUANTITY	PART NUMBER	DESCRIPTION	ITEM
MATERIALS LIST			
UNLESS OTHERWISE SPECIFIED 1) All dimensions are in metric(mm). 2) Tolerances are as follows: 1 PL DEC ±0.30 Fractions ±1/64 2 PL DEC ±0.15 Angles ±1° 3 PL DEC ±0.08 3) Note reference =		SIGNATURES DATE DRAWN: Flan Mar-1-2019 CHECKED: Tod Mar-1-2019 ENGINEER: APPROVAL: Tommy Mar-1-2019	
MATERIAL SPECIFICATIONS: PROCESS SPECIFICATIONS: NEXT ASSY:		 Sine Systems - www.amphenol-sine.com 44724 Morley Drive Clinton Township, MI 48036 ECO-MATE, RECEPTACLE, JAM NUT, SIZE 16, 4POS, PIN, END CAP.	
SIZE TYPE DWG NO. B C RT07164P*HEC*		REVISION B3	
SCALE: NONE		SHEET 1 of 1	

TITLE: ECO-MATE, RECEPTACLE, JAM NUT, SIZE 16, 4POS, PIN, END CAP
 DWG NO.: RT07164P*HEC*
 REV: B3
 SH: 1
 OF: 1

ecomate® RM/RSSM/Aquarius™ - Contact Size 3.6mm (1604 Insert Arrangement) Options

Crimp Contacts, 1604 Insert Arrangement, Machined					
Part Number		AWG	Wire Range (mm ²)	For Use w Endcap	Plating
Male	Female				
MP10A23T	MS10A23T	12-10	3.0 - 6.0	Yes	Tin
MP10A23S	MS10A23S	12-10	3.0 - 6.0	Yes	Silver
MP10A23F	MS10A23F	12-10	3.0 - 6.0	Yes	Gold Flash
MP10A23G5	MS10A23G5	12-10	3.0 - 6.0	Yes	Gold 5μ"
MP10S23G10	MS10A23G10	12-10	3.0 - 6.0	Yes	Gold 10μ"
MP10A23G15	MS10A23G15	12-10	3.0 - 6.0	Yes	Gold 15μ"
MS10A23G30	MS10A23G30	12-10	3.0 - 6.0	Yes	Gold 30μ"

Tooling, Machined	
Part Number	Description
QXRT08	Contact Extraction Tool, # 8 (Ø 3.6mm) Contact
M300BT	Hand Crimper
WA27-300BT-EP	Pneumatic Crimper
TP968	Locator M3200BT and WA27-300BT-EP

Plating Options	
Symbol	Plating
T	Tin Plating Over Nickel
S	Silver Plating Over Nickel
F	Gold Plated
G5	Gold Plated (Thickness 5μ")
G10	Gold Plated (Thickness 10μ")
G15	Gold Plated (Thickness 15μ")
G30	Gold Plated (Thickness 30μ")