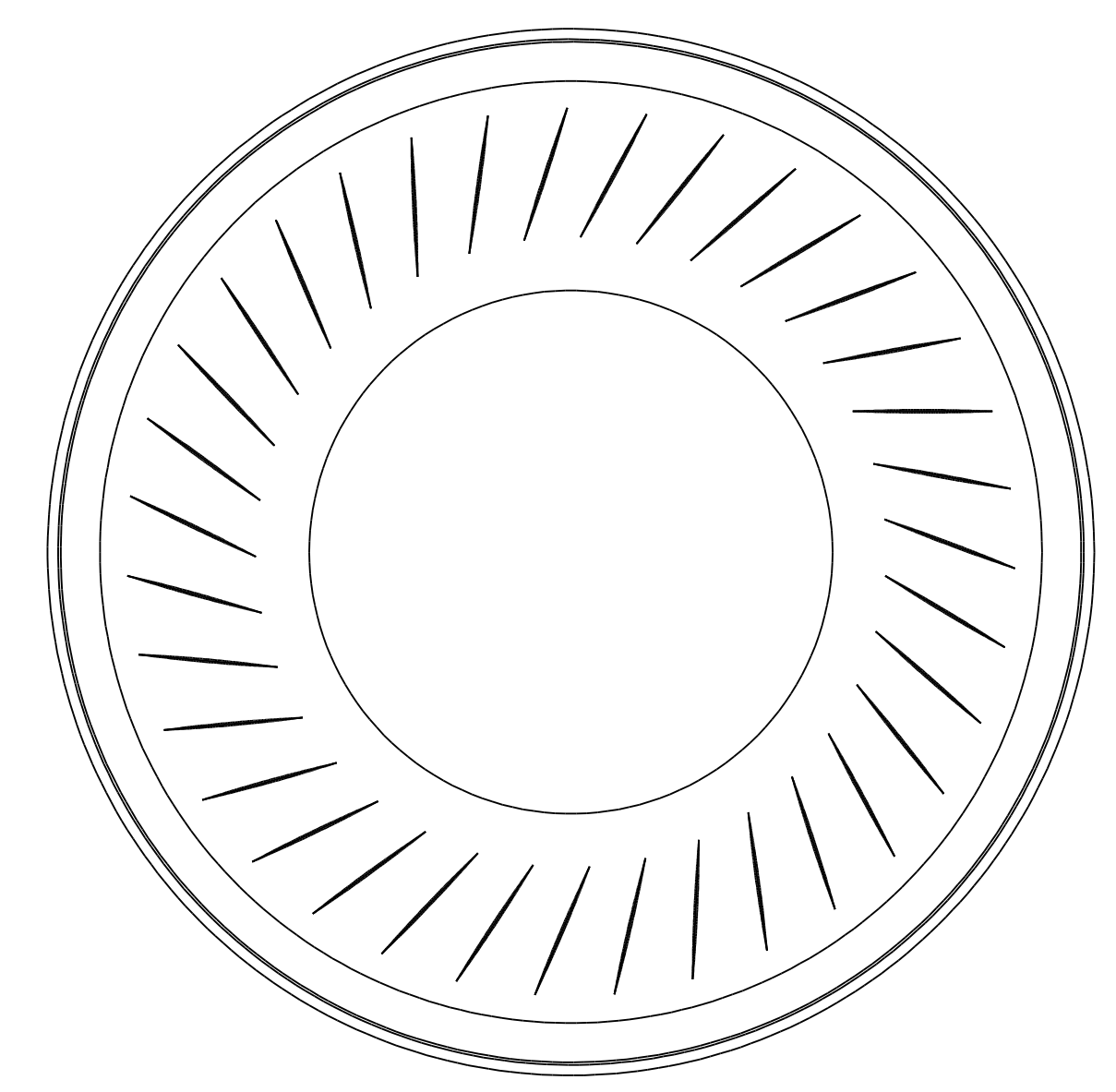
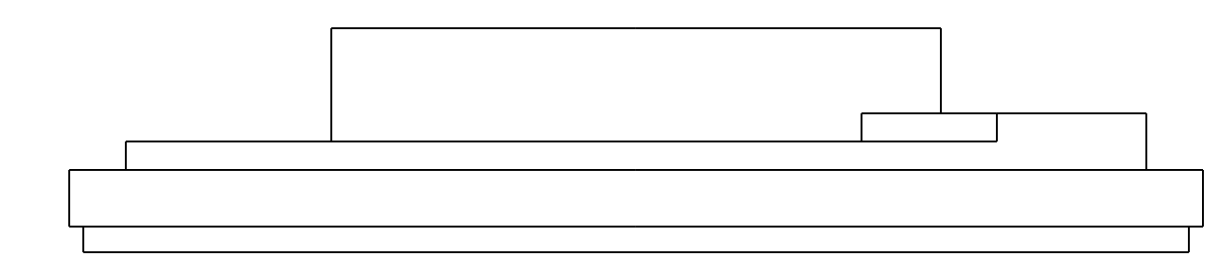
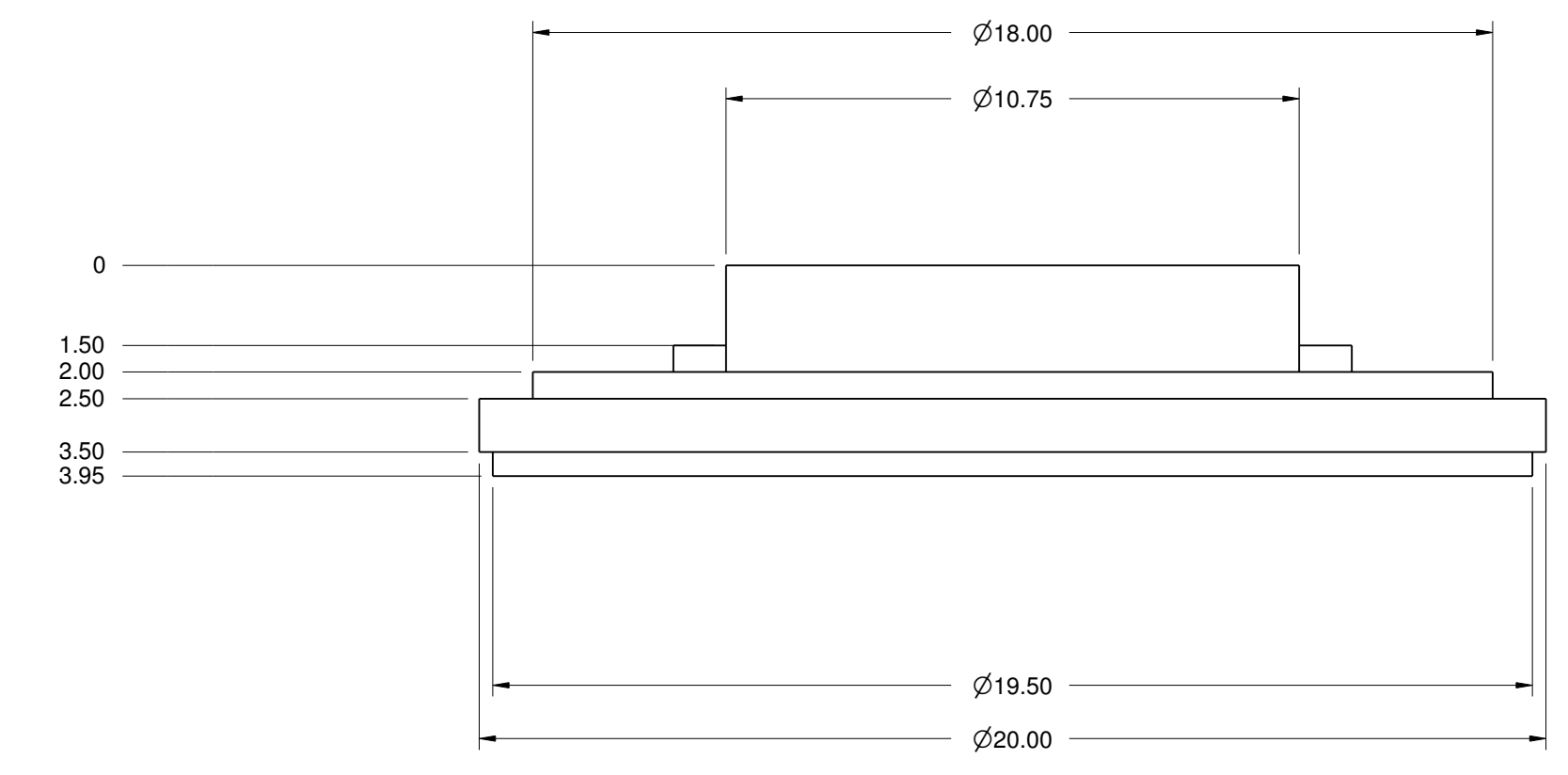
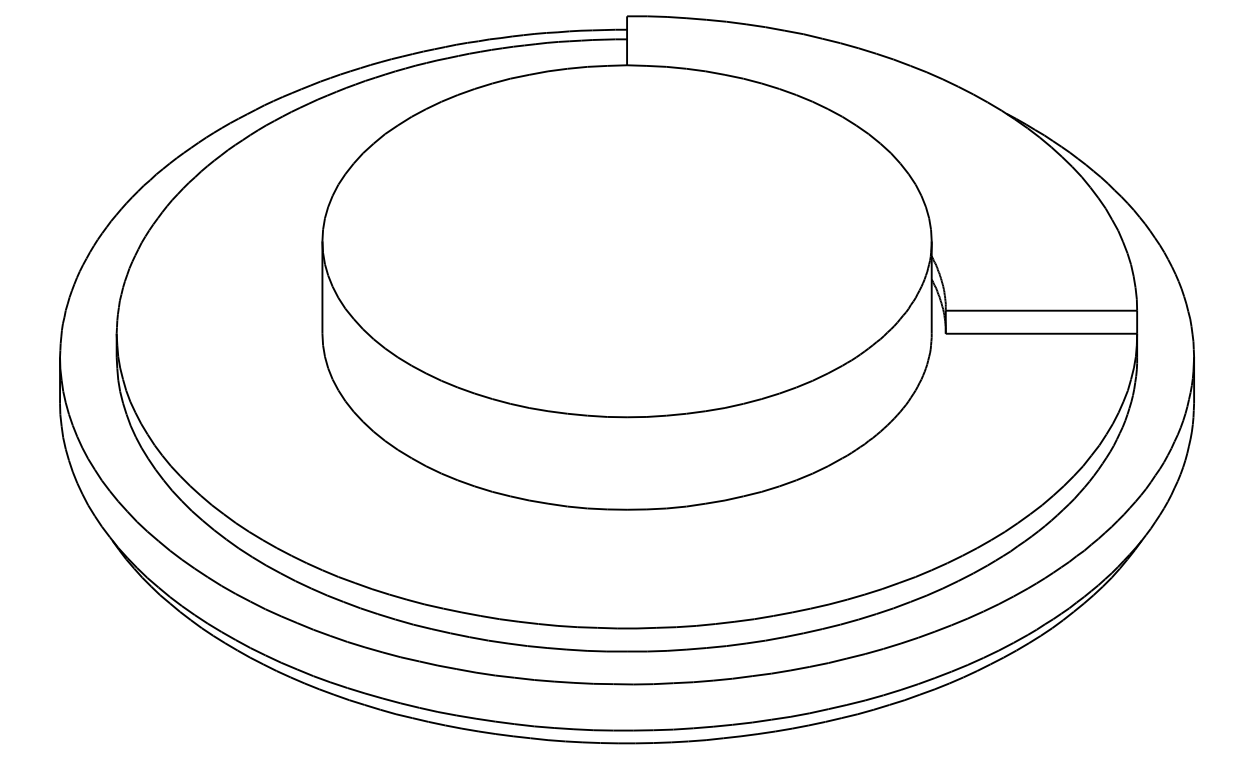
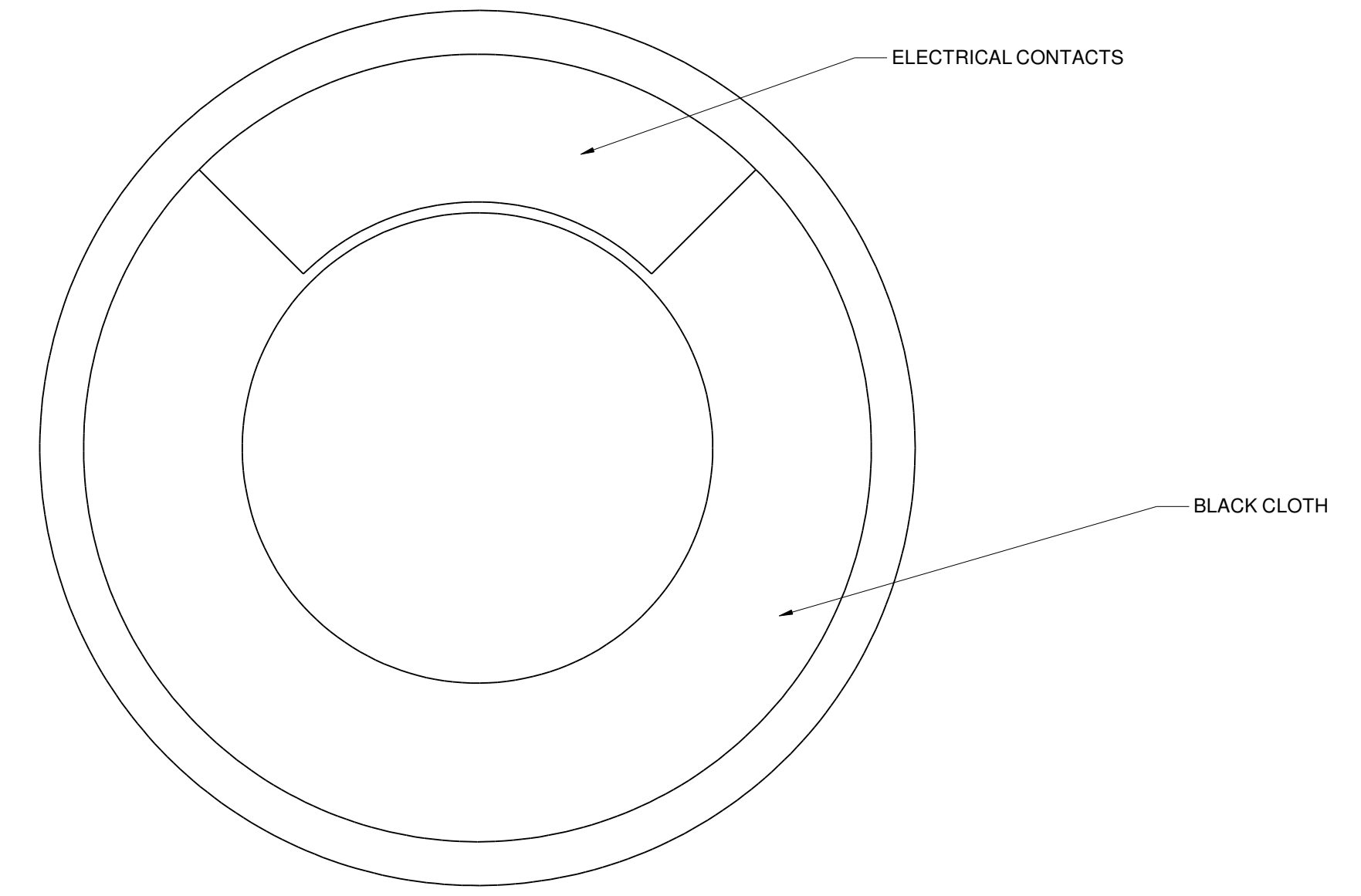


| REVISIONS |     |             |      |          |
|-----------|-----|-------------|------|----------|
| ZONE      | REV | DESCRIPTION | DATE | APPROVED |
|           |     |             |      |          |



ALL TOLERANCES  $\pm$ .5MM UNLESS NOTED

|       |          |          |        |
|-------|----------|----------|--------|
| SIZE  | FSCM NO. | DWG NO.  | REV    |
| D     |          | SP-2004Y |        |
| SCALE | 1:1      | SHEET    | 1 OF 1 |