

REV V

UNLESS OTHERWISE NOTED TOLERANCES ARE:
 DIMENSIONS ARE IN INCHES
 ONE PLACE DECIMALS: ± .1 THREE PLACE DECIMALS: ± .005 ANGLES ± 2°
 TWO PLACE DECIMALS: ± .01 FOUR PLACE DECIMALS: ± .0020
 TITLE: LOW PROFILE TERMINAL ASSEMBLY DWG NO: TLW-1XX-XX-XXX-X-XXX-XX
 SHEET 2 OF 3

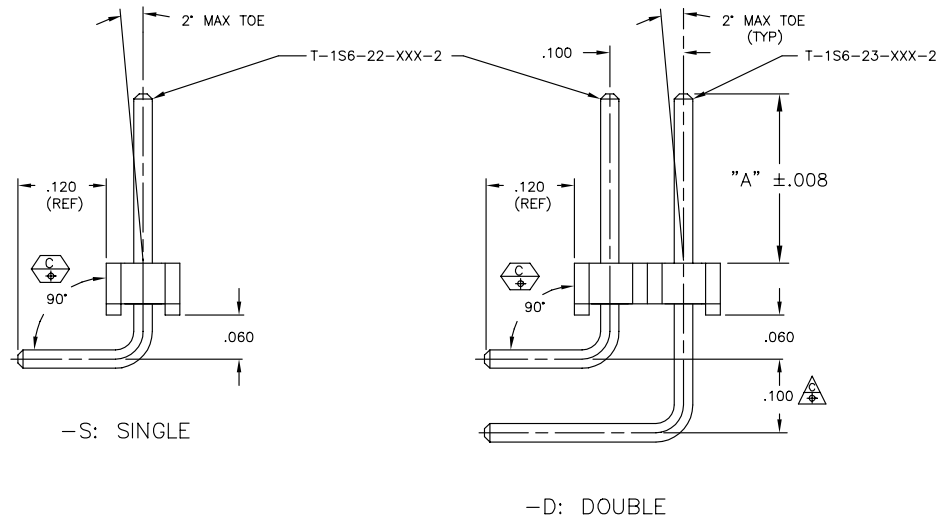


FIG. 2
 (-RA OPTION)
 NOTE: END VIEWS SHOWN.

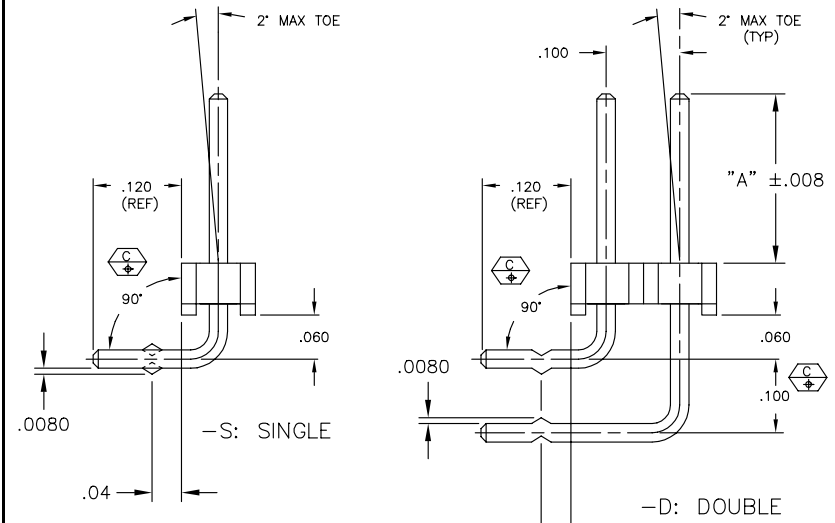
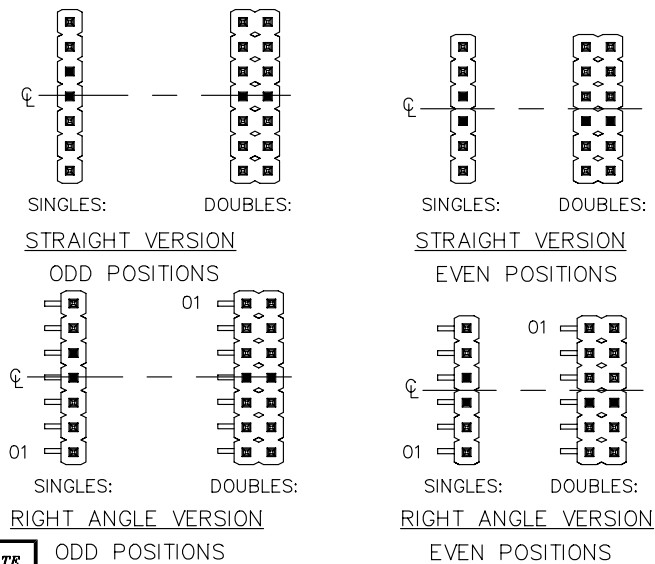


FIG. 3
 (-LA OPTION)
 NOTE: END VIEWS SHOWN.



LOCKING LEAD
 ■ = CRIMP LOCATION

PROPRIETARY NOTE
 THIS DOCUMENT CONTAINS INFORMATION CONFIDENTIAL AND PROPRIETARY TO SAMTEC INC. AND SHALL NOT BE REPRODUCED OR TRANSFERRED TO OTHER DOCUMENTS OR DISCLOSED TO OTHERS OR USED FOR ANY PURPOSE OTHER THAN THAT FOR WHICH IT WAS OBTAINED WITHOUT THE EXPRESSED WRITTEN CONSENT OF SAMTEC INC.

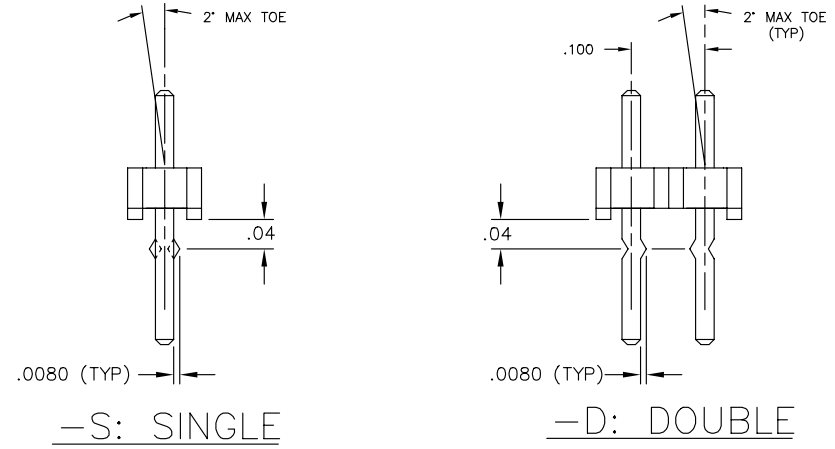


FIG. 4
 (-LL OPTION)
 NOTE: END VIEWS SHOWN.

EXISPROD\ASSEMBLY\100
 TLWASM2

samtec

520 PARK EAST BLVD. NEW ALBANY, INDIANA 47150
 PHONE (812) 944-6733 P.O. BOX 1147
 CODE 55322

MADE BY: M PUFFER 8-18-97

TLW-1XX-XX-XXX-X-XXX-XX
 SHEET 2 OF 3