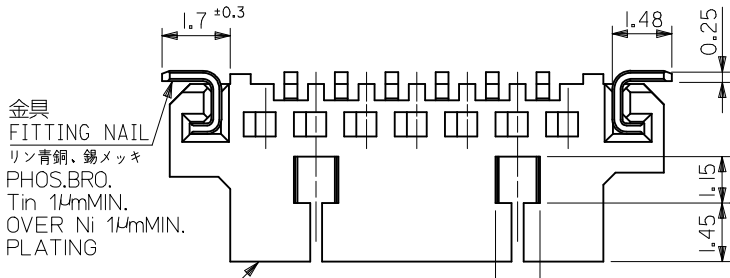


注記 NOTES

- 嵌合相手: 51021シリーズ MATE WITH: 51021 SERIES
- 水平面上においての、ウエハー底面 **W** とソルダーテール及びフィッティングネイル底面とのズレ量を示す。
MISALIGNMENT OF SOLDER TAIL & FITTING NAIL FROM **W**
- 偶数極にのみ適用。APPLY EVEN CIRCUIT PRODUCTS.
- ロック窓は、2、3極は1ヶ所、4極以上は2ヶ所とする。
LOCKING WINDOW: ONE PLACE FOR 2&3 CKTS. TWO PLACES FOR MORE THAN 4 CKTS.
- ソルダーテール及び金具の平坦度は0.1以下。
SOLDER TAIL & FITTING NAIL COPLANARITY TO BE 0.1 MAX.
- ELV及びRoHS適合品
ELV AND RoHS COMPLIANT.

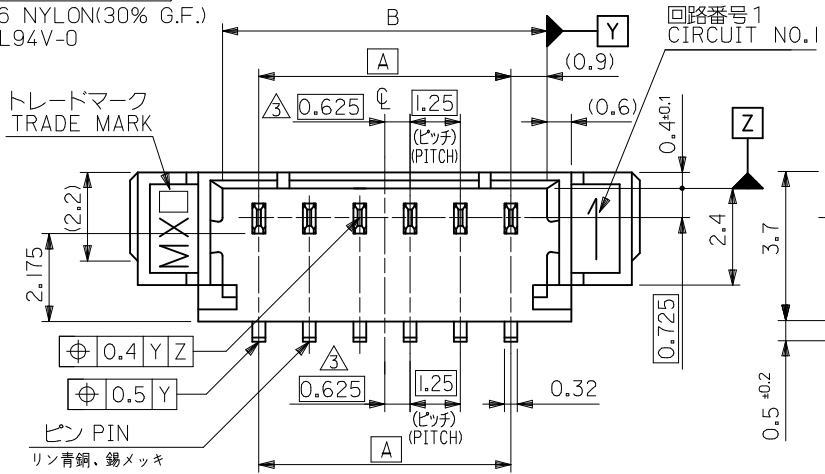


金具
FITTING NAIL
リン青銅、錫メッキ
PHOS.BRO.
Tin 14µMIN.
OVER Ni 14µMIN.
PLATING

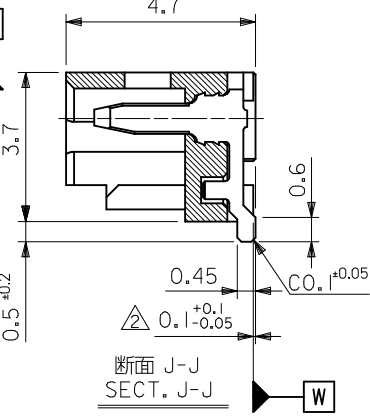
ウエハー
WAFER
46 NYLON(30% G.F.)
UL94V-0

トレードマーク
TRADE MARK

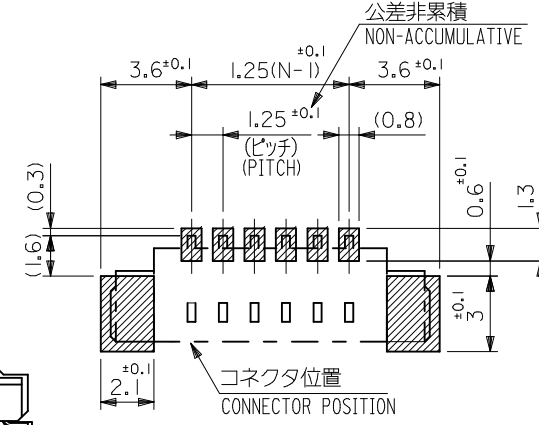
ピン PIN
リン青銅、錫メッキ
PHOS.BRO.
Tin 14µMIN.
OVER Ni 14µMIN.
PLATING



回路番号 1
CIRCUIT NO.1



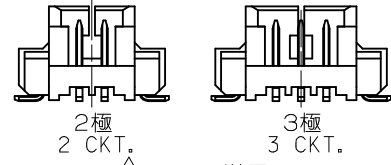
断面 J-J
SECT. J-J



公差非累積
NON-ACCUMULATIVE

コネクタ位置
CONNECTOR POSITION

参考基板レイアウト
RECOMMENDED P.C.BOARD PATTERN DIM.(REF.)



2極 2 CKT.
3極 3 CKT.

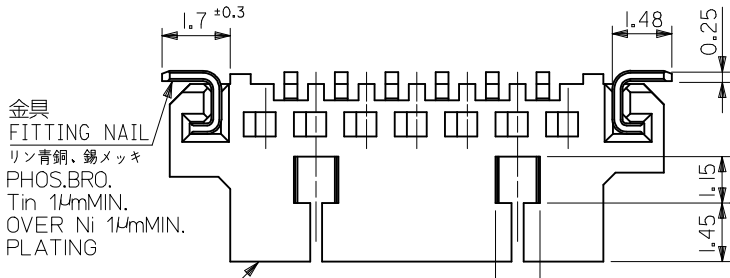
ロック形状図
LOCK CONFIGURATION

| | | | | | | | | |
|-------|-------|-------|-------|-------|-------|---|------------------------|-----------------------|
| 23.9 | 23.5 | 20.5 | 18.6 | 19.3 | 17.5 | 53398-154* | 53398-*159 | 15 |
| 22.65 | 22.25 | 19.25 | 17.35 | 18.05 | 16.25 | -144* | -*149 | 14 |
| 21.4 | 21 | 18 | 16.1 | 16.8 | 15 | -134* | -*139 | 13 |
| 20.15 | 19.75 | 16.75 | 14.85 | 15.55 | 13.75 | -124* | -*129 | 12 |
| 18.9 | 18.5 | 15.5 | 13.6 | 14.3 | 12.5 | -114* | -*119 | 11 |
| 17.65 | 17.25 | 14.25 | 12.35 | 13.05 | 11.25 | -104* | -*109 | 10 |
| 16.4 | 16 | 13 | 11.1 | 11.8 | 10 | -094* | -*099 | 9 |
| 15.15 | 14.75 | 11.75 | 9.85 | 10.55 | 8.75 | -084* | -*089 | 8 |
| 13.9 | 13.5 | 10.5 | 8.6 | 9.3 | 7.5 | -074* | -*079 | 7 |
| 12.65 | 12.25 | 9.25 | 7.35 | 8.05 | 6.25 | -064* | -*069 | 6 |
| 11.4 | 11 | 8 | 6.1 | 6.8 | 5 | -054* | -*059 | 5 |
| 10.15 | 9.75 | 6.75 | 4.85 | 5.55 | 3.75 | -044* | -*049 | 4 |
| 8.9 | 8.5 | 5.5 | 3.6 | 4.3 | 2.5 | -034* | -*039 | 3 |
| 7.65 | 7.25 | 4.25 | 2.35 | 3.05 | 1.25 | 53398-024* | 53398-*029 | 2 |
| F | E | D | C | B | A | MATERIAL NO. | MATERIAL NO. | 極数 NO. OF CKTS. |
| | | | | | | MODEL NO. 53398-***4 | MODEL NO. 53398-***9 | |
| | | | | | | 3: 黄 YELLOW 4: 青(紫) BLUE(PURPLE) 6: 緑 GREEN | 8: 黒 BLACK 9: 赤 RED | |

| | | | | | | | | |
|---|--|------------|------------|--|--|--------------------|---|---------------------------|
| REVISED EC NO: J2017-0403 DRWNS: S0BARA01 CHK: DAIDA APPR: KANEKO | 2017/01/26 | 2017/01/31 | 2017/02/01 | GENERAL TOLERANCES (UNLESS SPECIFIED) | DIMENSION STYLE MM ONLY | SCALE 8:1 | DESIGN UNITS METRIC | THIRD ANGLE PROJECTION |
| | DESCRIPTION | 0.25 UNDER | UNDER | ±0.03 | DRAWN BY M.UMEDA | DATE 2005/02/17 | TITLE PICOBLADE 1.25 HEADER ASSY SMT ST TYPE | |
| | | 0.25 OVER | 0.5 UNDER | ±0.05 | CHECKED BY K.TOYODA | DATE 2005/02/17 | | |
| | | 0.5 OVER | 1.0 UNDER | ±0.1 | APPROVED BY N.UKITA | DATE 2005/02/17 | | |
| | 1.0 OVER | 10 UNDER | ±0.2 | | | | | |
| | 10 OVER | 30 UNDER | ±0.25 | | | | | |
| | 30 OVER | | ±0.3 | | | | | |
| | ANGULAR | ±3 ° | | | | | | |
| | DRAFT WHERE APPLICABLE MUST REMAIN WITHIN DIMENSIONS | | | SIZE A3 | THIS DRAWING CONTAINS INFORMATION THAT IS PROPRIETARY TO MOLEX ELECTRONIC TECHNOLOGIES, LLC AND SHOULD NOT BE USED WITHOUT WRITTEN PERMISSION | | | |

注記 NOTES

- 嵌合相手: 51021シリーズ MATE WITH: 51021 SERIES
- 水平面上においての、ウエハー底面 **W** とソルダーテール及びフィッティングネイル底面とのズレ量を示す。
MISALIGNMENT OF SOLDER TAIL & FITTING NAIL FROM **W**
- 偶数極にのみ適用。APPLY EVEN CIRCUIT PRODUCTS.
- ロック窓は、2、3極は1ヶ所、4極以上は2ヶ所とする。
LOCKING WINDOW: ONE PLACE FOR 2&3 CKTS. TWO PLACES FOR MORE THAN 4 CKTS.
- ソルダーテール及び金具の平坦度は0.1以下。
SOLDER TAIL & FITTING NAIL COPLANARITY TO BE 0.1 MAX.
- ELV及びRoHS適合品
ELV AND RoHS COMPLIANT.

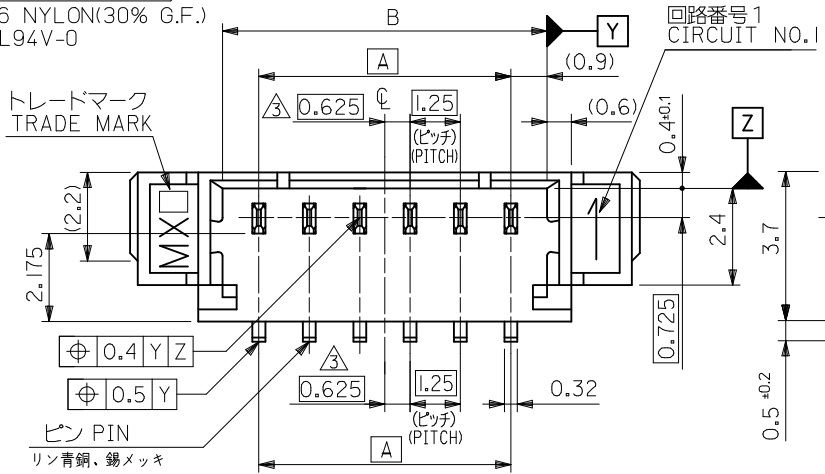


金具
FITTING NAIL
リン青銅、錫メッキ
PHOS.BRO.
Tin 14μMIN.
OVER Ni 14μMIN.
PLATING

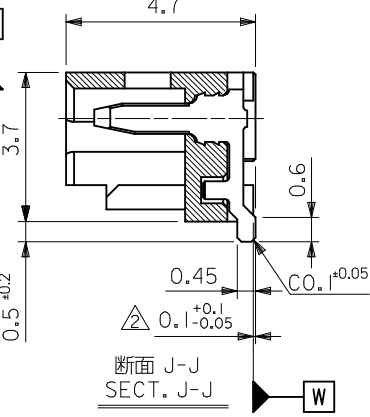
ウエハー
WAFER
46 NYLON(30% G.F.)
UL94V-0

トレードマーク
TRADE MARK

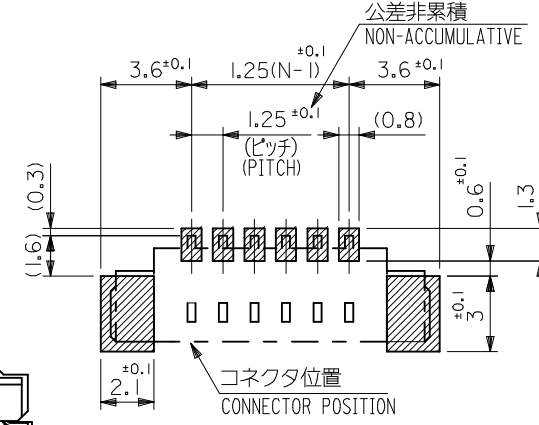
ピン PIN
リン青銅、錫メッキ
PHOS.BRO.
Tin 14μMIN.
OVER Ni 14μMIN.
PLATING



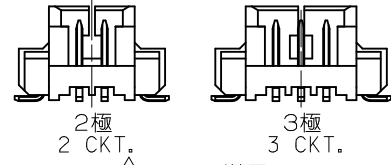
回路番号 1
CIRCUIT NO.1



断面 J-J
SECT. J-J



参考基板レイアウト
RECOMMENDED P.C.BOARD PATTERN DIM.(REF.)

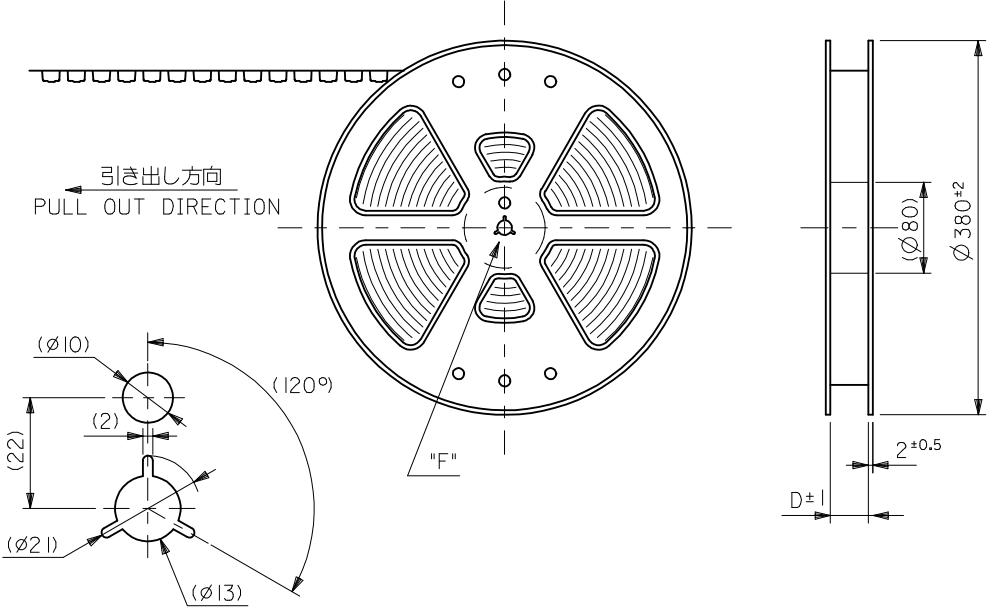


2極 2 CKT. 3極 3 CKT.
ロック形状図

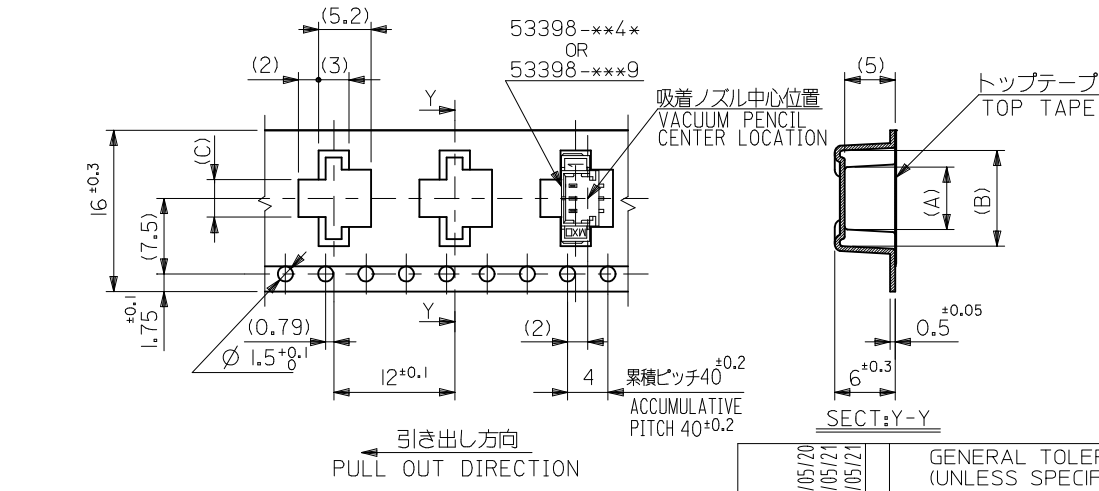
LOCK CONFIGURATION

| | | | | | | | | |
|--------------|-------|----------------------|-------|--------------|-------|----------------------|----------------------|-----------------------|
| 23.9 | 23.5 | 20.5 | 18.6 | 19.3 | 17.5 | 53398-154* | 53398-159 | 15 |
| 22.65 | 22.25 | 19.25 | 17.35 | 18.05 | 16.25 | -144* | -149 | 14 |
| 21.4 | 21 | 18 | 16.1 | 16.8 | 15 | -134* | -139 | 13 |
| 20.15 | 19.75 | 16.75 | 14.85 | 15.55 | 13.75 | -124* | -129 | 12 |
| 18.9 | 18.5 | 15.5 | 13.6 | 14.3 | 12.5 | -114* | -119 | 11 |
| 17.65 | 17.25 | 14.25 | 12.35 | 13.05 | 11.25 | -104* | -109 | 10 |
| 16.4 | 16 | 13 | 11.1 | 11.8 | 10 | -094* | -099 | 9 |
| 15.15 | 14.75 | 11.75 | 9.85 | 10.55 | 8.75 | -084* | -089 | 8 |
| 13.9 | 13.5 | 10.5 | 8.6 | 9.3 | 7.5 | -074* | -079 | 7 |
| 12.65 | 12.25 | 9.25 | 7.35 | 8.05 | 6.25 | -064* | -069 | 6 |
| 11.4 | 11 | 8 | 6.1 | 6.8 | 5 | -054* | -059 | 5 |
| 10.15 | 9.75 | 6.75 | 4.85 | 5.55 | 3.75 | -044* | -049 | 4 |
| 8.9 | 8.5 | 5.5 | 3.6 | 4.3 | 2.5 | -034* | -039 | 3 |
| 7.65 | 7.25 | 4.25 | 2.35 | 3.05 | 1.25 | 53398-024* | 53398-029 | 2 |
| MATERIAL NO. | | MATERIAL NO. | | MATERIAL NO. | | MATERIAL NO. | | 極数 NO. OF CKTS. |
| F | E | D | C | B | A | MODEL NO. 53398-***4 | MODEL NO. 53398-***9 | |
| COLOR | | COLOR | | COLOR | | COLOR | | |
| 3: 黄 YELLOW | | 4: 青(紫) BLUE(PURPLE) | | 6: 緑 GREEN | | 8: 黒 BLACK | | 9: 赤 RED |

| | | | | | | | |
|--|---------------------------------------|-----------|--|------------------------|---|---|---------------------------|
| REVISED EC NO: J2017-0403 DRWNS:0BARA01 2017/01/26 CHK:DAIDA 2017/01/31 APPR:KANAKO 2017/02/01 | GENERAL TOLERANCES (UNLESS SPECIFIED) | | DIMENSION STYLE MM ONLY | | SCALE 8:1 | DESIGN UNITS METRIC | THIRD ANGLE PROJECTION |
| | 0.25 UNDER | UNDER | ±0.03 | DRAWN BY M.UMEDA | DATE 2005/02/17 | TITLE PICOBLADE 125 HEADER ASSY SMT ST TYPE | |
| | 0.25 OVER | 0.5 UNDER | ±0.05 | CHECKED BY K.TOYODA | DATE 2005/02/17 | molex DOCUMENT NO. SD-53398-038 SHEET NO. 1 OF 1 | |
| | 0.5 OVER | 1.0 UNDER | ±0.1 | APPROVED BY N.UKITA | DATE 2005/02/17 | | |
| | 1.0 OVER | 10 UNDER | ±0.2 | MATERIAL NO. | | SEE CHART | |
| 10 OVER | 30 UNDER | ±0.25 | SIZE A3 | | THIS DRAWING CONTAINS INFORMATION THAT IS PROPRIETARY TO MOLEX ELECTRONIC TECHNOLOGIES, LLC AND SHOULD NOT BE USED WITHOUT WRITTEN PERMISSION | | |
| 30 OVER | | ±0.3 | DRAFT WHERE APPLICABLE MUST REMAIN WITHIN DIMENSIONS | | | | |



DETAIL "F"



引き出し方向
PULL OUT DIRECTION

16幅テープ
(TAPE WIDTH:16)

NOTES

- 梱包数量：1000個/リール
NUMBER OF CONNECTOR:1000PCS/REEL
- リードテープ長さ
LEAD TAPE LENGTH
- トップテープの剥離強度：0.6±0.35N(60±35gf) (剥離方向は下図参照)
PEELING OFF FORCE OF TOP TAPE:0.6±0.35N(60±35gf)
(PEELING DIRECTION IS SHOWN IN FOLLOWING FIG.)
 <剥離速度：300mm/min(参考)>
PEELING SPEED:300mm/min (REFERENCE)
- 製品詳細寸法は製品単体図面を参照して下さい。
For detail of connector dimensions, please see the drawing of connector itself (not packaged).
- 材料 (MATERIAL)
キャリアテープ (CARRIER TAPE):ポリプロピレン (POLYPROPYLENE)
トップテープ (TOP TAPE): PET ,PE ,PEF
リール (REEL):ポリスチレン (P S) <リサイクル材含む>
POLYSTYREN(PS) <RECYCLE MATERIAL CONTAINED>
- 本製品は乾燥剤入り、ハイバリア梱包仕様である。
THIS PRODUCT IS HIGH BARRIER PACKAGE WITH DESICCANT.

| | | | | | | | |
|--------------------------------|------|-------------|-------------|-------------|---|-------------------------------------|------------|
| 16 | 17.4 | 3.7 2.45 | 9.5 8.25 | 5.8 4.55 | 53398-035* | 53398-037* | 3 |
| | | | | | 53398-025* | 53398-027* | 2 |
| キャリアテープ幅 CARRIER TAPE WIDTH | D | (C) | (B) | (A) | MATERIAL NO. MODEL NO. 53398-xx* | MATERIAL NO. MODEL NO. 53398-xx* | 極致 CKT. |
| | | | | | COLOR 3:黄 YELLOW 4:青(紫) BLUE(PURPLE) 6:緑 GREEN | COLOR 6:黒 BLACK 7:赤 RED | |

| | | | | | | |
|---|--|--|----------------------------|--|--|---------------------------|
| REVISED EC NO.: J2009-2060 DRWN:TKON 2009/05/20 CHKD:HMATSUMOTO 2009/05/21 APPR:NUKITA 2009/05/21 | GENERAL TOLERANCES (UNLESS SPECIFIED) | | DIMENSION STYLE MM ONLY | SCALE --- | DESIGN UNITS METRIC | THIRD ANGLE PROJECTION |
| | 10 UNDER | ±0.2 | DRAWN BY M.UMEDA | DATE 2005/02/18 | TITLE 1.25 W/B CONN. WAFER ASSY EMBSTP PKG. -LEAD FREE- | |
| | 10 OVER 30 UNDER | ±0.25 | CHECKED BY K.TOYODA | DATE 2005/02/18 | MOLEX INCORPORATED | |
| | 30 OVER | ±0.3 | APPROVED BY N.UKITA | DATE 2005/02/18 | DOCUMENT NO. SD-53398-039 | SHEET NO. 1 OF 3 |
| | ANGULAR ±3 ° | DRAFT WHERE APPLICABLE MUST REMAIN WITHIN DIMENSIONS | MATERIAL NO. SEE TABLE | THIS DRAWING CONTAINS INFORMATION THAT IS PROPRIETARY TO MOLEX INCORPORATED AND SHOULD NOT BE USED WITHOUT WRITTEN PERMISSION | | |

F

E

D

C

B

A

F

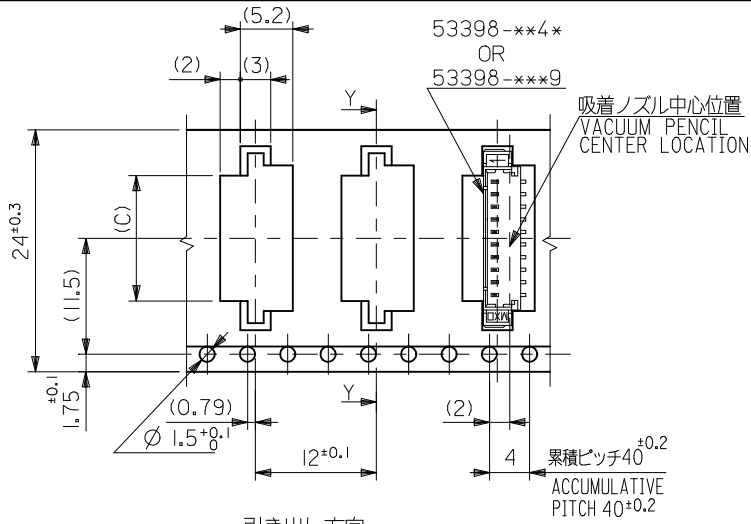
E

D

C

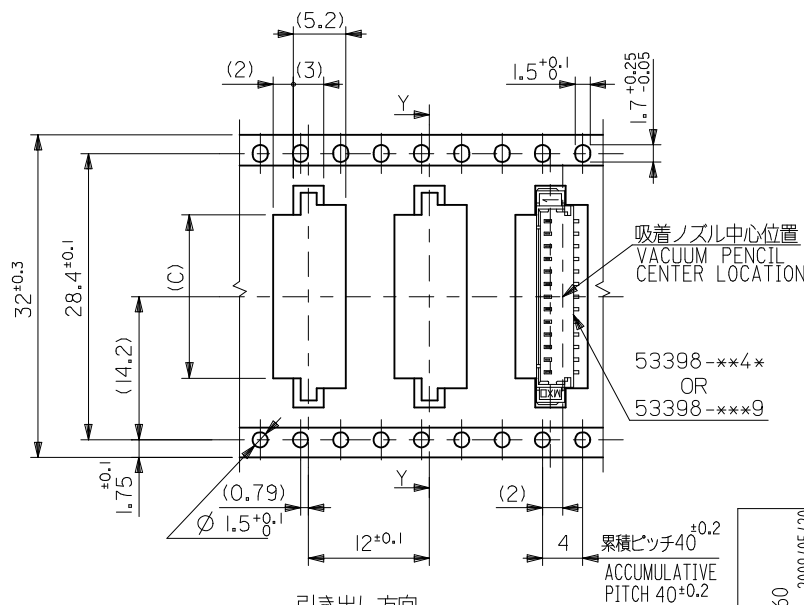
B

A



引き出し方向
PULL OUT DIRECTION
24幅テープ
(TAPE WIDTH:24)

SECT:Y-Y

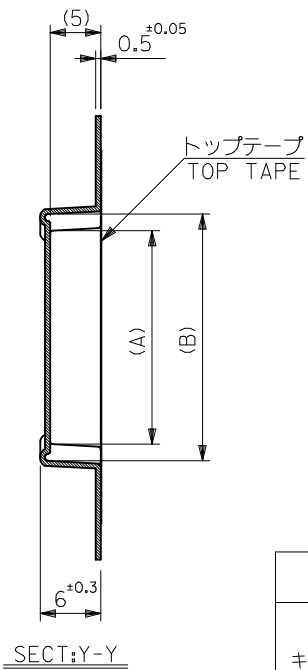
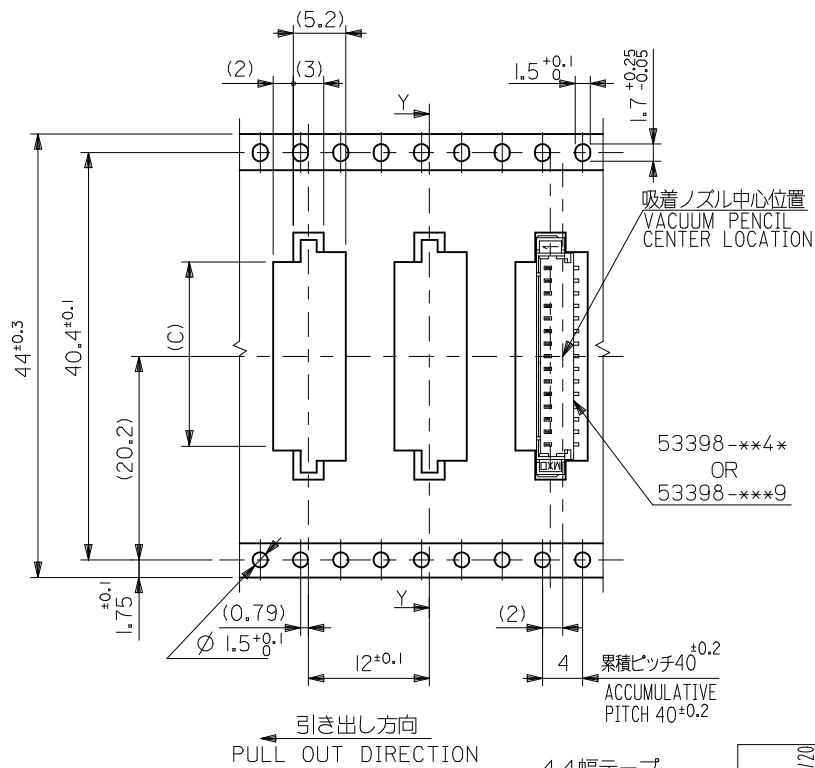


引き出し方向
PULL OUT DIRECTION
32幅テープ
(TAPE WIDTH:32)

SECT:Y-Y

| | | | | | | | |
|--------------------------------|-------------|-------|----------------------|-------|--------------------------|--------------------------|------------|
| 32 | 33.4 | 16.2 | 22 | 18.3 | 53398-135* | 53398-137* | 13 |
| | | 14.95 | 20.75 | 17.05 | -125* | -127* | 12 |
| 24 | 25.4 | 13.7 | 19.5 | 15.8 | -115* | -117* | 11 |
| | | 12.45 | 18.25 | 14.55 | -105* | -107* | 10 |
| | | 11.2 | 17 | 13.3 | -095* | -097* | 9 |
| | | 9.95 | 15.75 | 12.05 | -085* | -087* | 8 |
| | | 8.7 | 14.5 | 10.8 | -075* | -077* | 7 |
| | | 7.45 | 13.25 | 9.55 | -065* | -067* | 6 |
| | | 6.2 | 12 | 8.3 | -055* | -057* | 5 |
| | | 4.95 | 10.75 | 7.05 | -045* | -047* | 4 |
| キャリアテープ幅 CARRIER TAPE WIDTH | D | (C) | (B) | (A) | MATERIAL NO. 53398-***5* | MATERIAL NO. 53398-***7* | 種数 CKT. |
| COLOR | 3: 黄 YELLOW | | 4: 青(紫) BLUE(PURPLE) | | 6: 黒 BLACK | | 7: 赤 RED |

| | | | | | | | |
|---|---------------------------------------|--------------|----------------------------|--------------------|---|------------------------|------------------------|
| REVISED EC NO: J2009-2060 DRWN:TKON 2009/05/20 CHKD:HATSUMOTO 2009/05/21 APPR:NUKITA 2009/05/21 | GENERAL TOLERANCES (UNLESS SPECIFIED) | | DIMENSION STYLE MM ONLY | | SCALE --- | DESIGN UNITS METRIC | THIRD ANGLE PROJECTION |
| | 10 UNDER | ±0.2 | DRAWN BY M.UMEDA | DATE 2005/02/18 | TITLE 1.25 W/B CONN. WAFER ASSY EMBSTP PKG. -LEAD FREE- | | |
| | 10 OVER 30 UNDER | ±0.25 | CHECKED BY K.TOYODA | DATE 2005/02/18 | MOLEX INCORPORATED | | |
| | 30 OVER | ±0.3 | APPROVED BY N.UKITA | DATE 2005/02/18 | DOCUMENT NO. SD-53398-039 | SHEET NO. 2 OF 3 | |
| REV | DESCRIPTION | ANGULAR ±3 ° | MATERIAL NO. SEE TABLE | | THIS DRAWING CONTAINS INFORMATION THAT IS PROPRIETARY TO MOLEX INCORPORATED AND SHOULD NOT BE USED WITHOUT WRITTEN PERMISSION | | |
| DRAFT WHERE APPLICABLE MUST REMAIN WITHIN DIMENSIONS | | | | | | | |



| | | | | | | | |
|--------------------------------|------|-------|-------|-------|--|---------------------------------|------------|
| 44 | 45.4 | 18.7 | 24.5 | 20.8 | 53398-155* | 53398-157* | 15 |
| | | 17.45 | 23.25 | 19.55 | 53398-145* | 53398-147* | 14 |
| キャリアテープ幅 CARRIER TAPE WIDTH | D | (C) | (B) | (A) | MATERIAL NO. | MATERIAL NO. | 種数 CKT. |
| | | | | | MODEL NO. 53398-**5* | MODEL NO. 53398-**7* | |
| | | | | | COLOR 3: 黄 YELLOW 4: 青(紫) BLUE(PURPLE) 6: 緑 GREEN | COLOR 6: 黒 BLACK 7: 赤 RED | |

引き出し方向
PULL OUT DIRECTION

44幅テープ
(TAPE WIDTH:44)

| | | | | | | | |
|---|-------------|--|----------------------------|--|--|---------------------------|--|
| REVISED EC NO.: J2009-2060 DRWN:TKON 2009/05/20 CHKD:HMATSUMOTO 2009/05/21 APPR:NUKITA 2009/05/21 | DESCRIPTION | GENERAL TOLERANCES (UNLESS SPECIFIED) | DIMENSION STYLE MM ONLY | SCALE --- | DESIGN UNITS METRIC | THIRD ANGLE PROJECTION | |
| | REV | 10 UNDER ±0.2 | DRAWN BY M.UMEDA | DATE 2005/02/18 | TITLE 1.25 W/B CONN. WAFER ASSY EMBSTP PKG. -LEAD FREE- | | |
| | | 10 OVER 30 UNDER ±0.25 | CHECKED BY K.TOYODA | DATE 2005/02/18 | MOLEX INCORPORATED | | |
| | | 30 OVER ±0.3 | APPROVED BY N.NUKITA | DATE 2005/02/18 | DOCUMENT NO. SD-53398-039 | | |
| | | ANGULAR ±3 ° | MATERIAL NO. | SEE TABLE | | SHEET NO. 3 OF 3 | |
| | | DRAFT WHERE APPLICABLE MUST REMAIN WITHIN DIMENSIONS | SIZE A3 | THIS DRAWING CONTAINS INFORMATION THAT IS PROPRIETARY TO MOLEX INCORPORATED AND SHOULD NOT BE USED WITHOUT WRITTEN PERMISSION | | | |