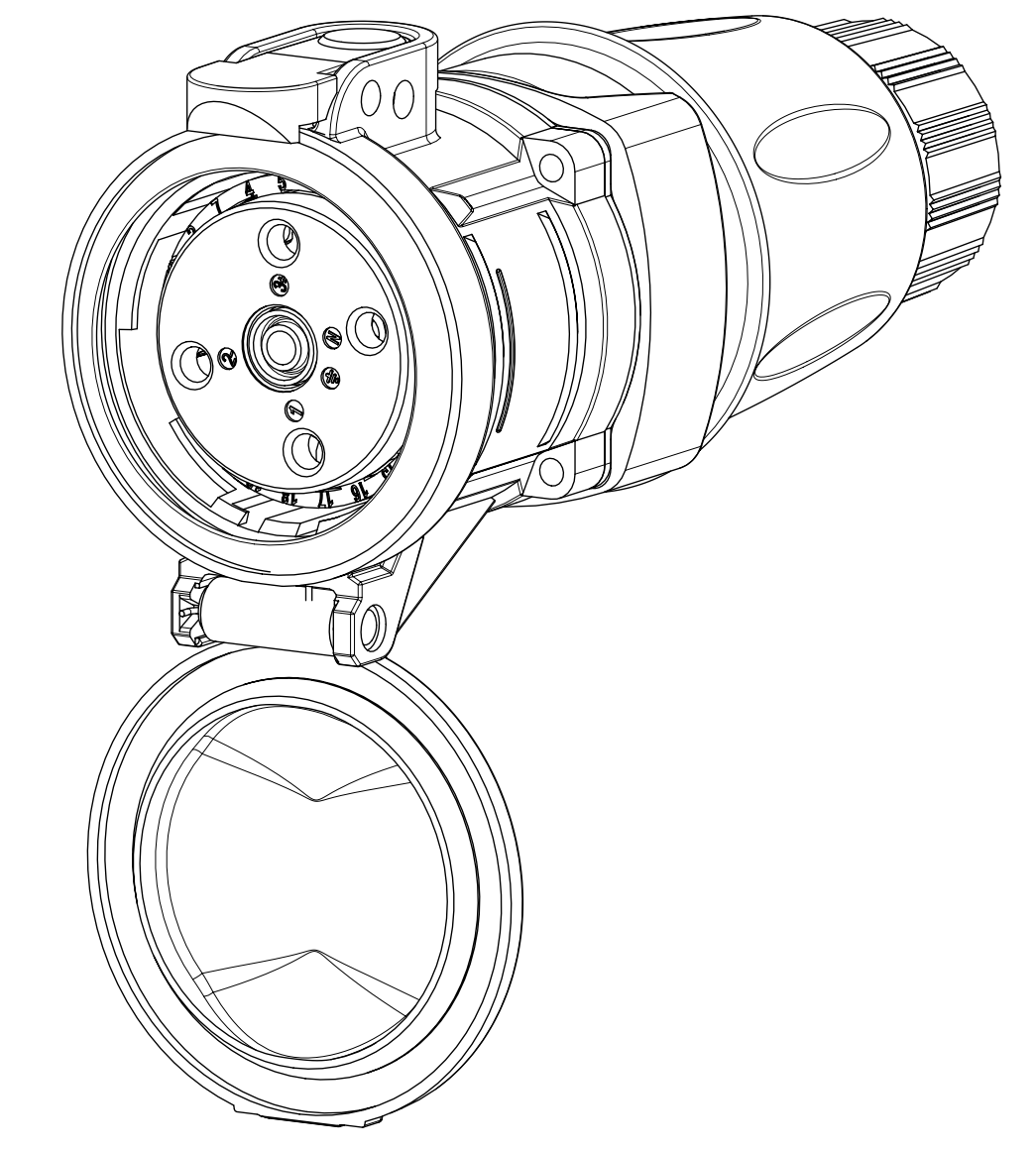
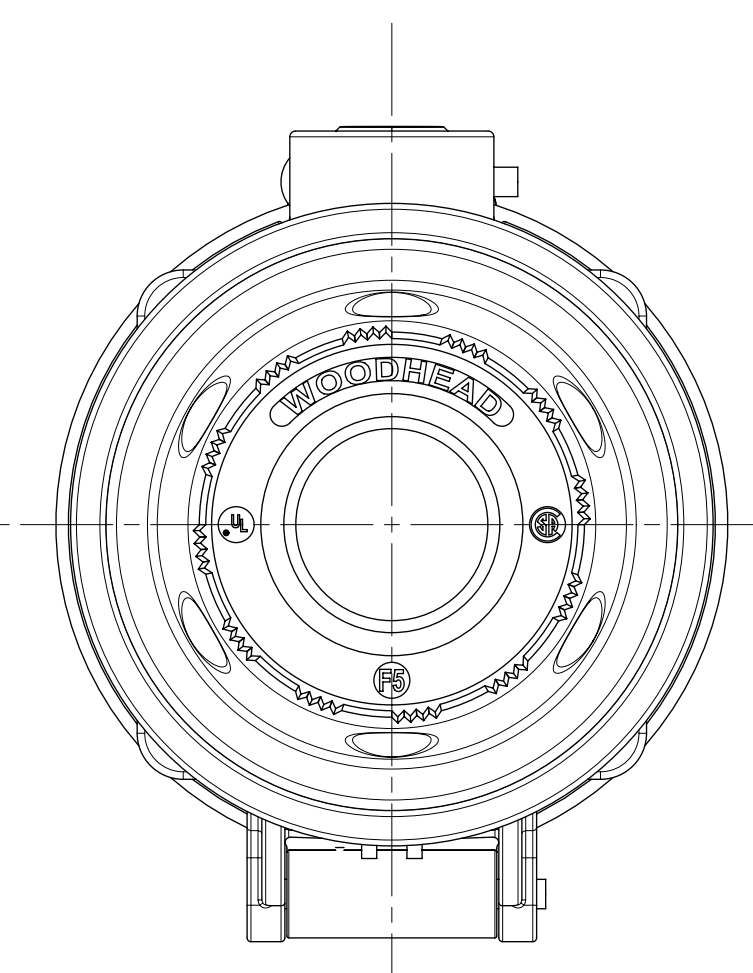
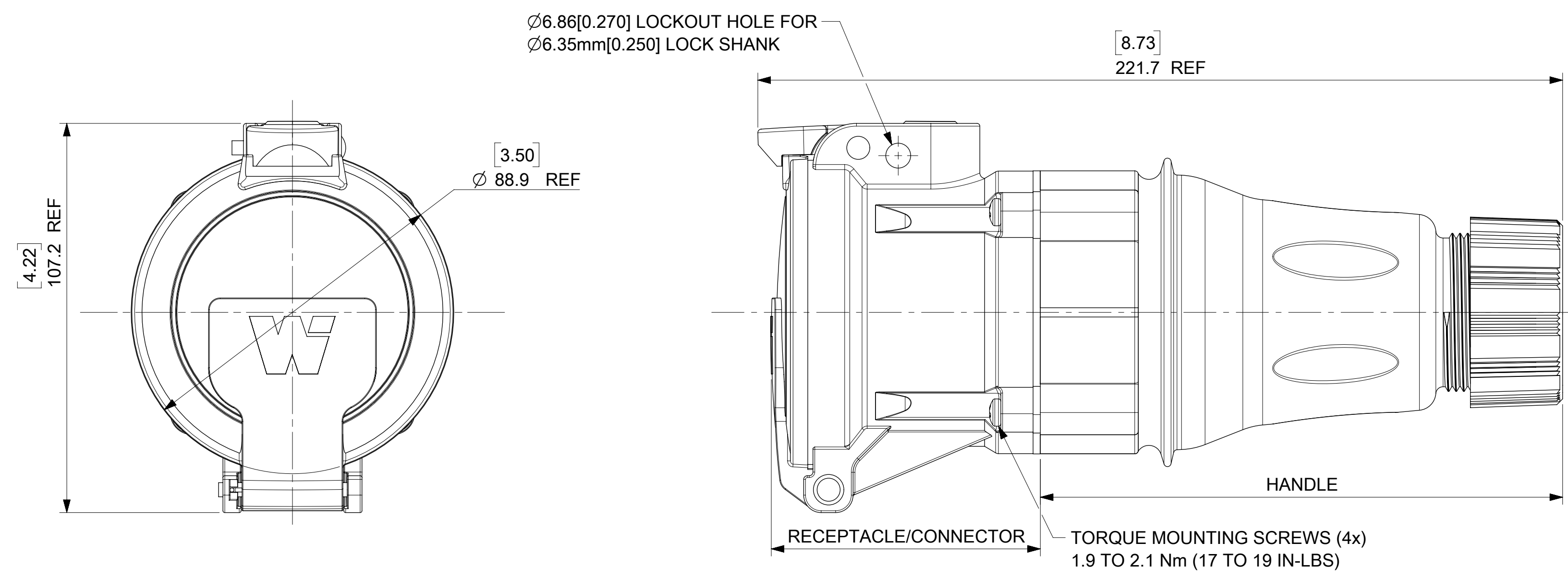
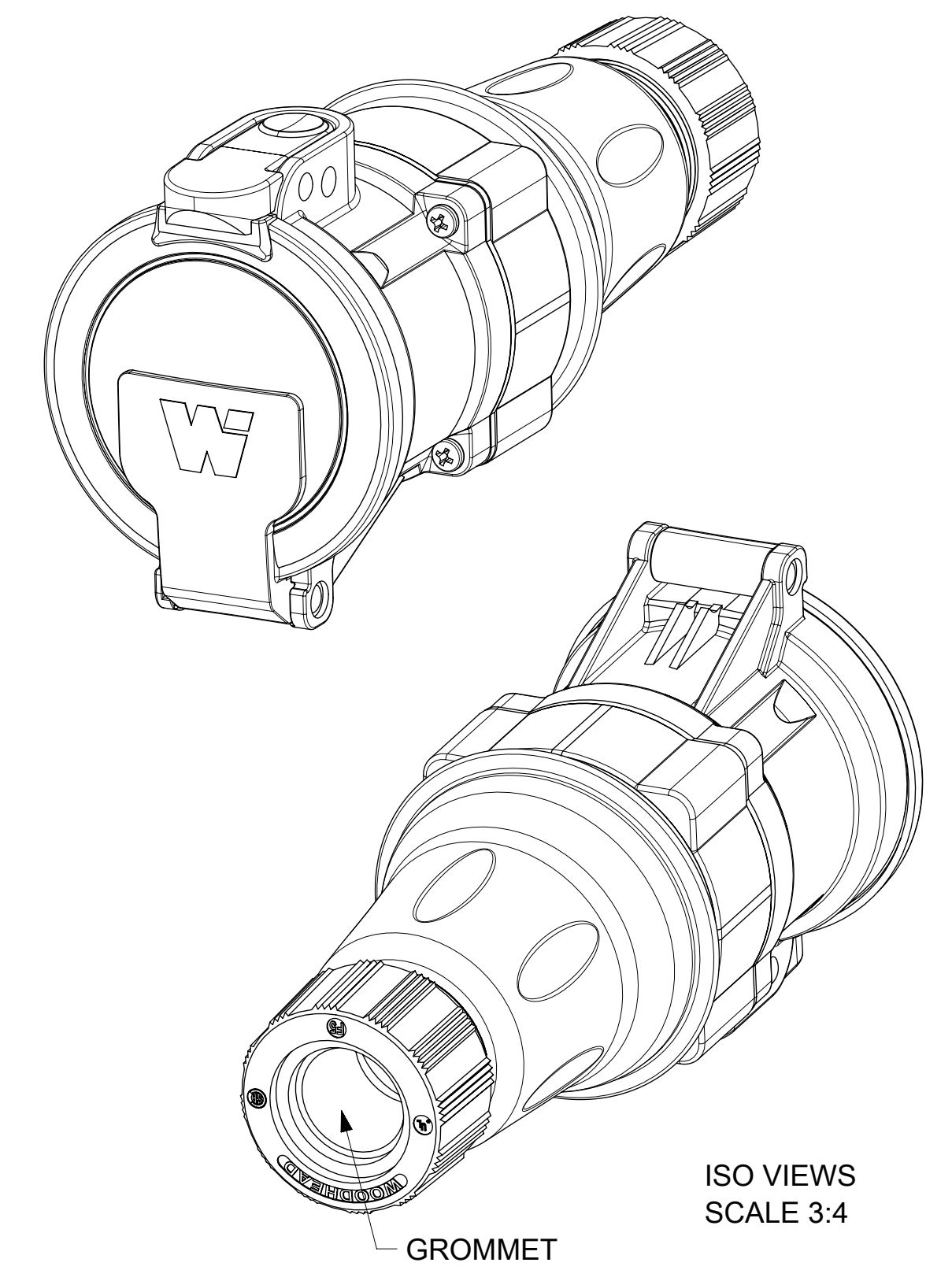
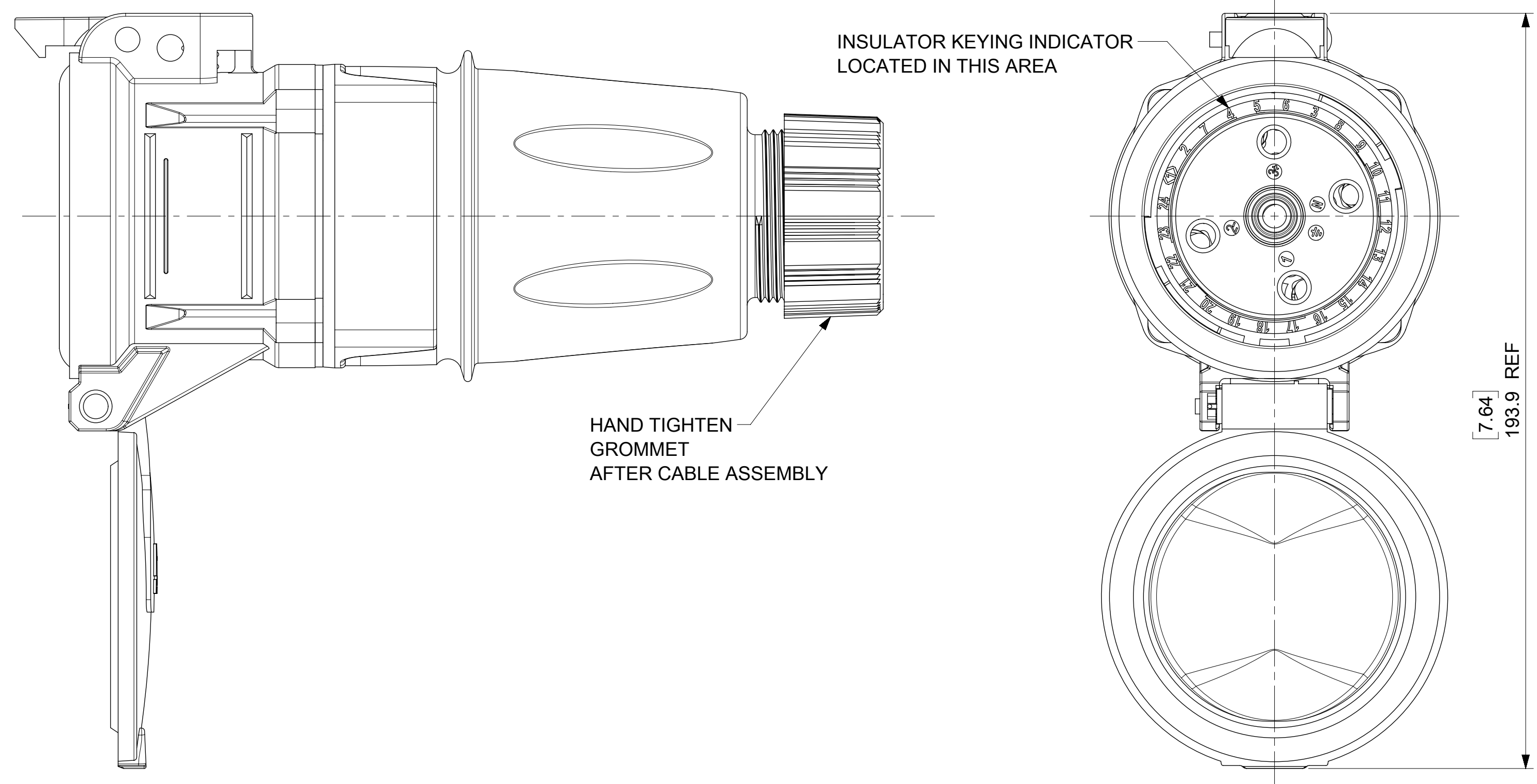


| MATERIAL NUMBER | ENGINEERING NUMBER | DESCRIPTION                  | INSULATOR KEYING POSITION | HORSEPOWER RATING |
|-----------------|--------------------|------------------------------|---------------------------|-------------------|
| 1122170029      | ARC60FHA01         | ARC 60A FH 125VAC 1P+N+G     | 7                         | 2 HP              |
| 1122170030      | ARC60FHB02         | ARC 60A FH 250VAC 2P+G       |                           | 3 HP              |
| 1122170031      | ARC60FHB03         | ARC 60A FH 250VAC 3P+G       |                           | 7.5 HP            |
| 1122170032      | ARC60FHAB04        | ARC 60A FH 125/250VAC 2P+N+G | 16                        | NA                |
| 1122170033      | ARC60FHC02         | ARC 60A FH 208VAC 2P+G       |                           | NA                |
| 1122170034      | ARC60FHC03         | ARC 60A FH 208VAC 3P+G       |                           | 7.5 HP            |
| 1122170035      | ARC60FHAC05        | ARC 60A FH 120/208VAC 3P+N+G | 4                         | NA                |
| 1122170036      | ARC60FHD01         | ARC 60A FH 277VAC 1P+N+G     |                           | NA                |
| 1122170037      | ARC60FHE02         | ARC 60A FH 480VAC 2P+G       |                           | NA                |
| 1122170038      | ARC60FHE03         | ARC 60A FH 480VAC 3P+G       | 14                        | 20 HP             |
| 1122170039      | ARC60FHDE05        | ARC 60A FH 277/480VAC 3P+N+G |                           | NA                |
| 1122170040      | ARC60FHF02         | ARC 60A FH 600VAC 2P+G       |                           | NA                |
| 1122170041      | ARC60FHF03         | ARC 60A FH 600VAC 3P+G       | NA                        | 20 HP             |
| 1122170042      | ARC60FHGF05        | ARC 60A FH 347/600VAC 3P+N+G |                           | NA                |



**NOTES:**

**MATERIALS:**  
HANDLE, HOUSINGS AND INSULATORS: GLASS FILLED PBT  
CONTACTS: COPPER ALLOY WITH A SILVER NICKEL TIP, SILVER PLATED  
MOUNTING AND INTERFACE GASKETS: SILICONE  
GROMMET - RUBBER  
FRICTION RING - NATURAL POLYETHYLENE  
COMPRESSION NUT - BLACK PBT  
SELF TAPPING SCREWS - STAINLESS STEEL

**RATINGS:**  
CURRENT: 60 AMPS  
VOLTAGE AND HORSEPOWER: SEE TABLE  
AMBIENT OPERATING TEMPERATURE: -25°C (-13°F) TO 60°C (140°F)  
(WITH MAX. 30°C RISE ABOVE AMBIENT)  
ENVIRONMENTAL: NEMA TYPE 4X & IP69K  
WIRING CAPACITY: 10 AWG MIN. TO 4 AWG MAX.  
TORQUE TERMINAL SCREWS TO 1.7 Nm (15 in-lbs)  
AGENCY: UL LISTING PENDING  
SWITCH RATED RECEPTACLE/CONNECTOR  
BRANCH CIRCUIT DISCONNECT SWITCH  
MOTOR CIRCUIT DISCONNECT SWITCH IF HP RATED

RECEPTACLE/CONNECTOR AND HANDLE ARE PACKAGED SEPARATELY.  
END USER ASSEMBLY REQUIRED PER INSTRUCTIONS INCLUDED.

| GROMMET P/N | GROMMET COLOR | CABLE DIAMETER RANGE           |
|-------------|---------------|--------------------------------|
| 1301800308  | ORANGE        | 19.05mm-22.25mm(.750"-.875")   |
| 1301800309  | YELLOW        | 22.23mm-25.40mm(.875"-1.000")  |
| 1301800310  | BLACK         | 25.40mm-28.57mm(1.000"-1.125") |

THIS DRAWING CONTAINS INFORMATION THAT IS PROPRIETARY TO MOLEX ELECTRONIC TECHNOLOGIES, LLC AND SHOULD NOT BE USED WITHOUT WRITTEN PERMISSION

|  |       |  |              |
|--|-------|--|--------------|
| DIMENSION UNITS                                      | SCALE | CURRENT REV DESC: GENERAL MARKET RELEASE |              |
| MM/INCH  | 1:1   |  |              |
| GENERAL TOLERANCES (UNLESS SPECIFIED)                |       |  |              |
|  | MM    | INCH                                     |              |
| 4 PLACES   | ±     | ±  |              |
| 3 PLACES   | ±     | ± 0.01                                   |              |
| 2 PLACES   | ±     | 0.25 ± 0.02                              |              |
| 1 PLACE  | ±     | 0.5 ± 0.04                               |              |
| 0 PLACES   | ±     | 1.0 ±                                    |              |
| ANGULAR TOL  | ±     | 3.0 °                                    |              |
| DRAFT WHERE APPLICABLE MUST REMAIN WITHIN DIMENSIONS |       | THIRD ANGLE PROJECTION                   |              |
|  |       | DRAWING                                  | SERIES       |
|  |       | D-SIZE                                   | 112217       |
| DOCUMENT NUMBER                                      |       | CUSTOMER                                 | SHEET NUMBER |
| 1122170038   |       | GENERAL MARKET                           | 1 OF 1       |

**molex**

60A ARC ARREST CONN KIT HANDLE W/O DPLAT

PRODUCT CUSTOMER DRAWING

EC NO: 674097  
DRWN: MJANTELEZIO 2021/08/17  
CHK'D: WLEUNG 2021/08/17  
APPR: WLEUNG 2021/08/17

INITIAL REVISION:  
DRWN: VBASUTHKARP 2018/08/20  
APPR: JFMURPHY 2020/11/17

DOC TYPE: PSD  
DOC PART: 000  
REVISION: A2