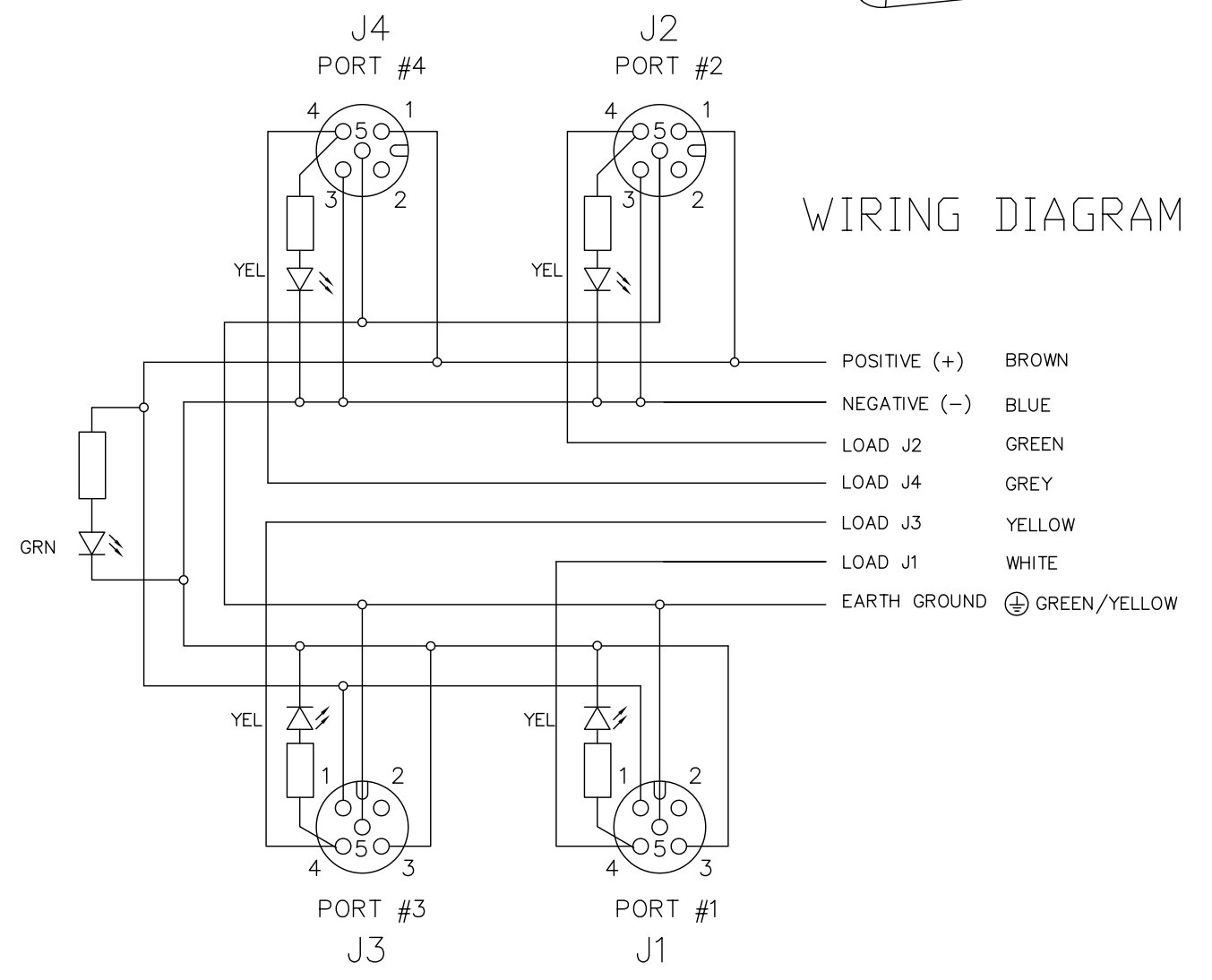
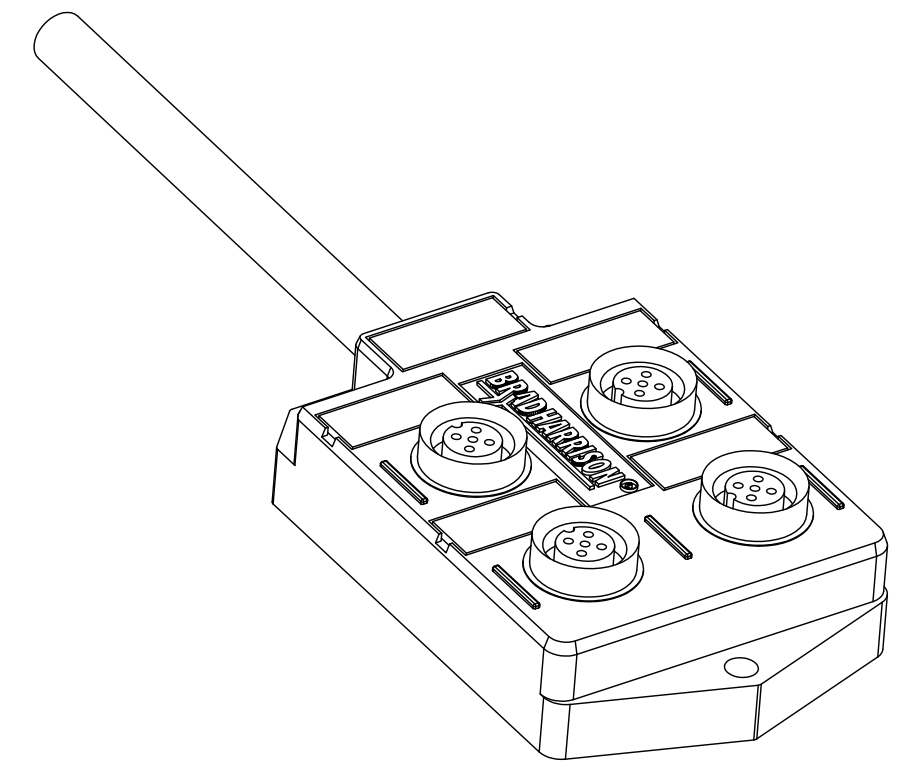
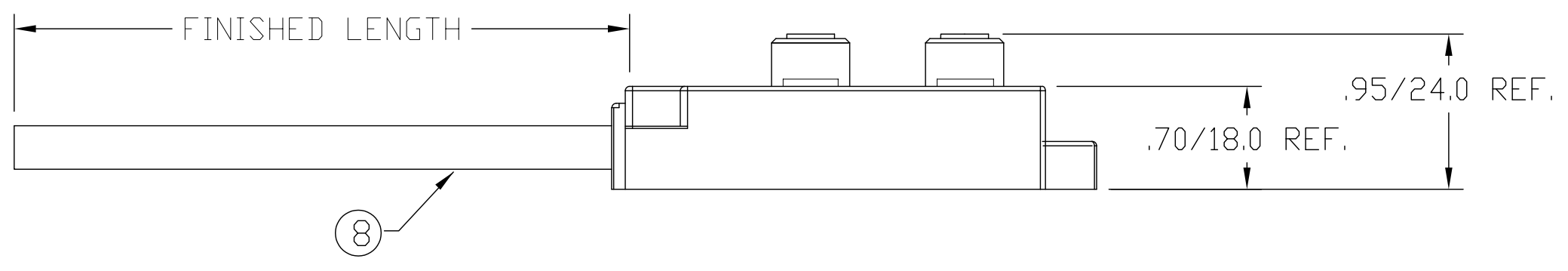
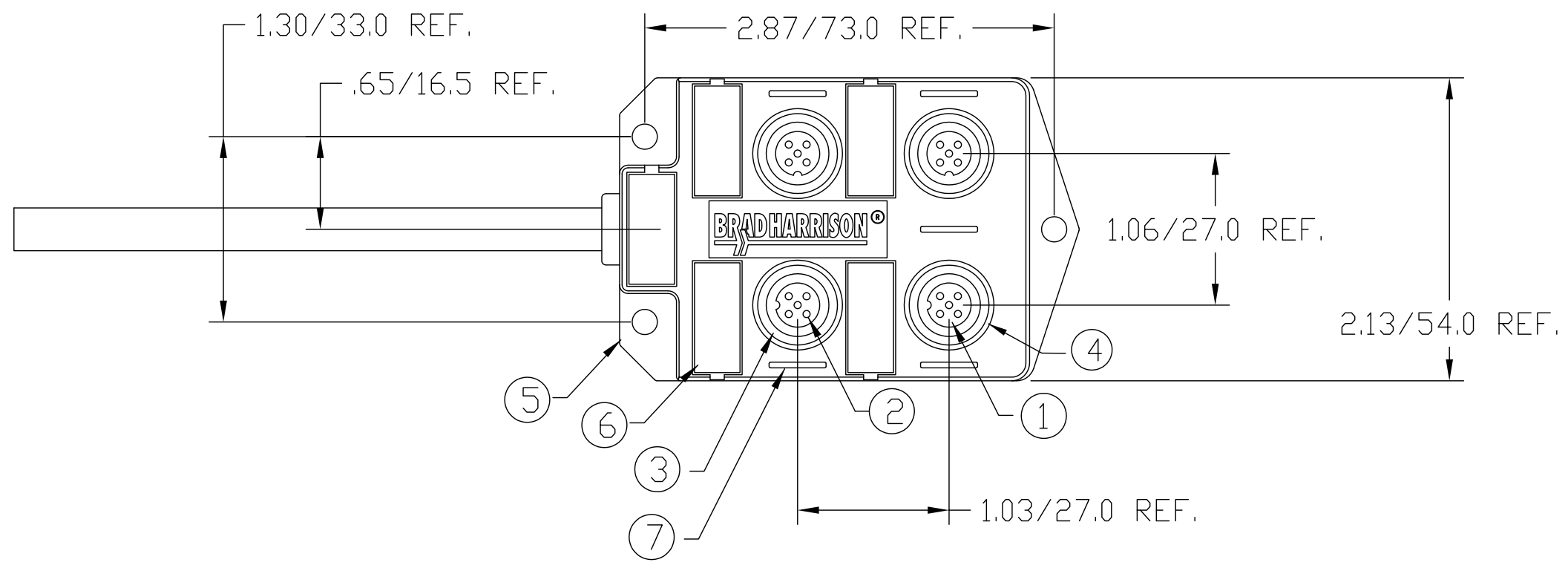


MATERIAL NUMBER	OLD PART NUMBER	FINISHED LENGTH	CABLE JACKET MATERIAL
1201140021	BTY401P-FBE-05	16.40' +6.50" -0 [5.0M +165.1 -0]	PVC
1201140022	BTY401P-FBE-10	32.81' +12.50" -0 [10.0M +317.5 -0]	PVC
1201140024	BTY401P-FBP-05	16.40' +6.50" -0 [5.0M +165.1 -0]	PUR
1201140023	BTY401P-FBE-20	65.60' +12.50" -0 [20.0M +317.5 -0]	PVC
1201140025	BTY401P-FBP-10	32.81' +12.50" -0 [10.0M +317.5 -0]	PUR
1201140026	BTY401P-FBP-20	65.60' +12.50" -0 [20.0M +317.5 -0]	PUR



VOLTAGE RATING	10-30 VDC
AMPERAGE RATING PER PORT	4 AMPS
PROTECTION	IP67
OPERATING TEMPERATURE	-20°C TO 90°C
UL CERTIFICATIONS	UL RECOGNIZED, FILE NO. E46237
CSA CERTIFICATIONS	CSA CERTIFIED, FILE NO. LR6837

ITEM	COMPONENT	MATERIAL	FINISH
1	INSERT	NYLON	BLACK
2	CONTACT SOCKET	COPPER ALLOY	GOLD OVER NICKEL
3	O-RING	NITRILE	RED
4	RECEPTACLE SHELL	BRASS	NICKEL PLATED
5	HOUSING	PBT	YELLOW
6	LABEL	ABS	WHITE
7	LENS	NYLON	CLEAR
8	CABLE, 18AWG, 3 CONDUCTOR, 22AWG, 4 CONDUCTOR, 300V	SEE P/N TABLE	YELLOW

ADD 2 PINS TO TABLE EC NO: WEU2010-0374 DRWN: FPACHER 2/16/10 CH'KD: NSTAUDIG 2009/08/27 APPR: NSTAUDIG 2010/02/18	QUALITY SYMBOL	GENERAL TOLERANCES (UNLESS SPECIFIED)	DIMENSION STYLE	SCALE	DESIGN UNITS	THIRD ANGLE PROJECTION  <b>MICRO-CHANGE MPIS</b> <b>4 PORT TOP MOUNT PNP</b> <b>#18/3 + #22/4 CABLE</b>  <b>MOLEX INCORPORATED</b>  SD-120114-002 SHEET NO. 1 OF 1
	$\nabla=0$ $\sphericalangle=0$	4 PLACES ±- mm INCH ±- 3 PLACES ±- mm INCH ±- 2 PLACES ±- mm INCH ±.01 1 PLACE ±0.3 mm INCH ±-	IN/MM	NTS	METRIC	
		ANGULAR ±°	DRAWN BY DATE BW 2009/04/02	TITLE		
		DRAFT WHERE APPLICABLE MUST REMAIN WITHIN DIMENSIONS	CHECKED BY DATE TW 2009/04/02			
		APPROVED BY DATE NSTAUDIG 2010/02/18	SEE CHART			
		MATERIAL NO.				
		SIZE C	THIS DRAWING CONTAINS INFORMATION THAT IS PROPRIETARY TO MOLEX INCORPORATED AND SHOULD NOT BE USED WITHOUT WRITTEN PERMISSION			