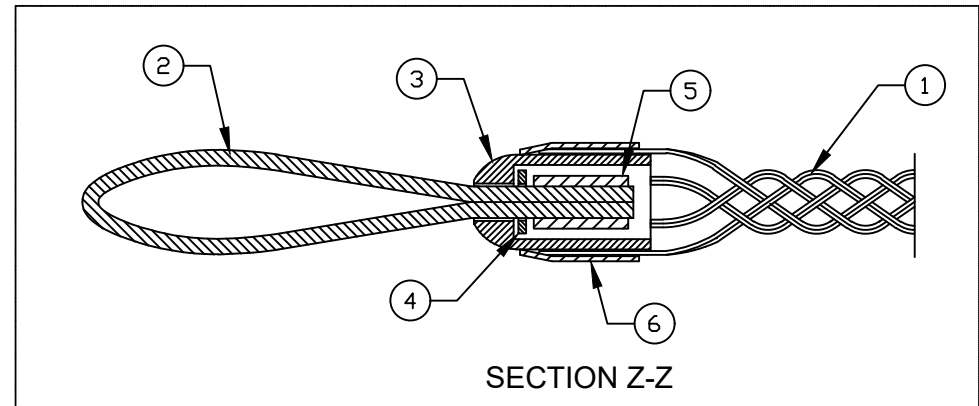
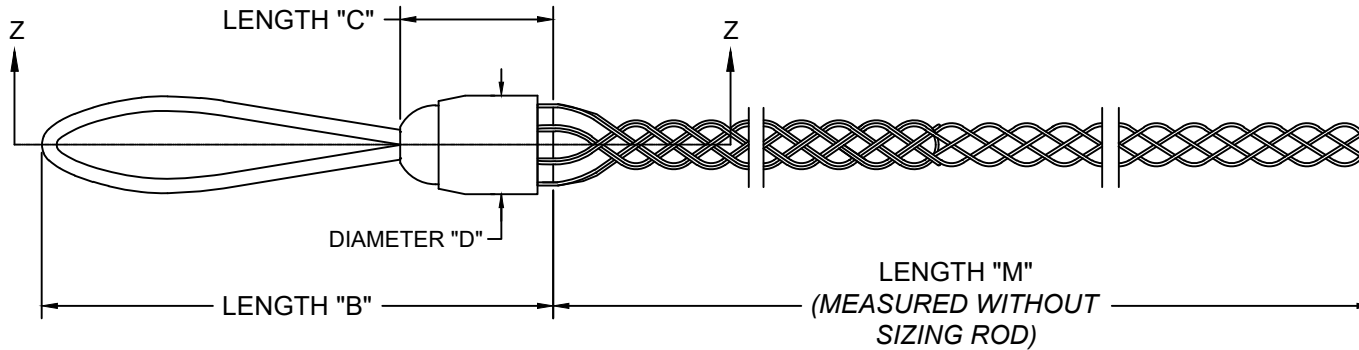


CATALOG NUMBER	MATERIAL NUMBER	CABLE RANGE	LENGTH "M"	LENGTH "B"	LENGTH "C" REF.	DIAMETER "D" REF.	APPROXIMATE BREAK STRENGTH (LBS/N)	UL LISTED	CSA APPROVED
36660	-----	.100-.200 / 2.54-5.08	9.00±0.75 / 228.6±19.1	5.50±0.25 / 139.7±6.4	1.40 / 35.6	.80 / 20.3	1000 / 4448	NO	YES
36662	1300950298	.320-.480 / 8.13-12.19	18.00±1.00 / 457.2±25.4	5.75±0.25 / 146.1±6.4	1.40 / 35.6	.90 / 22.9	2200 / 9786		
36664	1300950300	.530-.740 / 13.46-18.80	24.00±1.25 / 609.6±31.8	6.25±0.25 / 158.8±6.4	1.49 / 37.8	1.15 / 29.2	3300 / 14679		
36665	1300950301	.640-.875 / 16.26-22.23	27.00±1.25 / 685.8±31.8	6.25±0.25 / 158.8±6.4	1.49 / 37.8	1.15 / 29.2	4700 / 20907		



ITEM	DESCRIPTION	MATERIAL
1	WIRE MESH	GALVANIZED STEEL
2	BALE WIRE	GALVANIZED STEEL
3	BALE NOSE	STEEL
4	WASHER	NYLATRON
5	SWAGING FERRULE	STEEL
6	OUTER RING	STEEL

FUNCTIONAL SYMBOLS										THIS DRAWING CONTAINS INFORMATION THAT IS PROPRIETARY TO MOLEX ELECTRONIC TECHNOLOGIES, LLC AND SHOULD NOT BE USED WITHOUT WRITTEN PERMISSION														
DIMENSION UNITS					SCALE					CURRENT REV DESC: OBSOLETE PART NUMBER AS PER PCN#510808														
INCH/MM					NTS					<p>EC NO: 736640</p> <p>DRWN: SUGEEB 2022/12/21</p> <p>CHK'D: LIKITV 2023/02/14</p> <p>APPR: GGA 2023/02/16</p> <p>INITIAL REVISION:</p> <p>DRWN: HRUIZ01 2015/03/19</p> <p>APPR: JFMURPHY 2015/06/12</p>														
GENERAL TOLERANCES (UNLESS SPECIFIED)																								
		mm		INCH						<p>DOCUMENT NUMBER: SD-130095-118</p> <p>DOC TYPE: PSD</p> <p>DOC PART: 001</p> <p>REVISION: A1</p>														
4 PLACES		± ----		± ----																				
3 PLACES		± ----		± 0.005																				
2 PLACES		± 0.13		± 0.01																				
1 PLACE		± 0.25		± 0.01						<p>PRODUCT CUSTOMER DRAWING</p>														
0 PLACES		± ----		± ----																				
DIVISIONAL SYMBOLS										ANGULAR TOL ± 0.5 °														
DRAFT WHERE APPLICABLE MUST REMAIN WITHIN DIMENSIONS										THIRD ANGLE PROJECTION														
DRAWING					SERIES					MATERIAL NUMBER					CUSTOMER					SHEET NUMBER				
A-SIZE					130095					SEE TABLE					GENERAL MARKET					1 OF 1				