

6

5

4

3

2

1

E

E

D

D

C

C

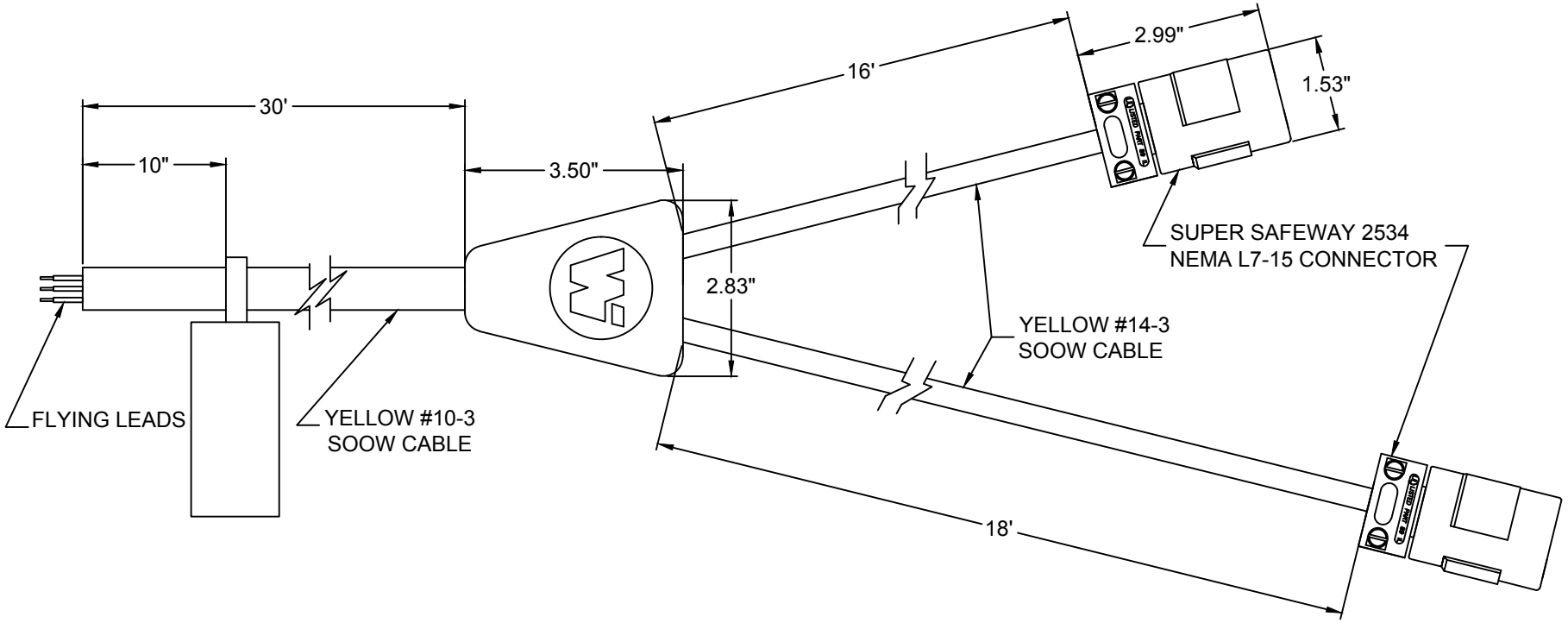
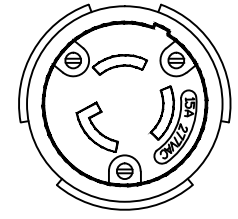
B

B

A

A

NEMA L7-15 FACE VIEW



NOTES:

- PART IS NOT UL OR CSA CERTIFIED.
- #10-3 TEMPERATURE RANGE 105°C (-34°C)
- #14-3 TEMPERATURE RANGE 105°C (-40°C)

RELEASE DRAWING EC NO: IPG2018-0057 DRWN: BPATTERS 2017/07/31 CHKD: --- APPR: HKNEELAN 2017/08/14	QUALITY SYMBOLS $\blacktriangledown = 0$ $\blacktriangledown / C = 0$	GENERAL TOLERANCES (UNLESS SPECIFIED)		DIMENSION STYLE INCH ONLY		SCALE NTS	DESIGN UNITS INCH	THIRD ANGLE PROJECTION	
	4 PLACES \pm --- \pm --- 3 PLACES \pm --- \pm --- 2 PLACES \pm --- \pm --- 1 PLACE \pm --- \pm ---	mm INCH	DRAWN BY BPATTERS	DATE 2017/07/31	TITLE MOLDED Y-SPLICE #10-3 FLYING LEAD PRIM. VAR LENGTH #14-3 SEC				
ANGULAR $\pm .5^\circ$				APPROVED BY HKNEELAN	DATE 2017/08/14	MOLEX INCORPORATED			
DRAFT WHERE APPLICABLE MUST REMAIN WITHIN DIMENSIONS				MATERIAL NO. 1301540127		DOCUMENT NO. SD-130154-127		SHEET NO. 1 OF 1	
SIZE A		THIS DRAWING CONTAINS INFORMATION THAT IS PROPRIETARY TO MOLEX INCORPORATED AND SHOULD NOT BE USED WITHOUT WRITTEN PERMISSION							

6

5

4

3

2

1