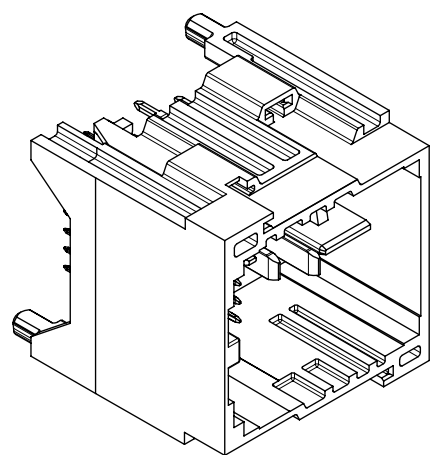


KEY 1  
PART NO. 2005010251

SEE NOTE 3g

PART NUMBER	KEY	COLOR	TERMINAL QUANTITIES	
			0.5mm	2.8mm
2005010251	1	GREEN	21	4
2005010252	2	GRAY		
2005010253	3	BLACK		
2005010254	4	DARK GRAY		

FOUR (4) KEYS AVAILABLE  
SEE INTERFACE DRAWING  
SD-160027-002 FOR DEFINITION

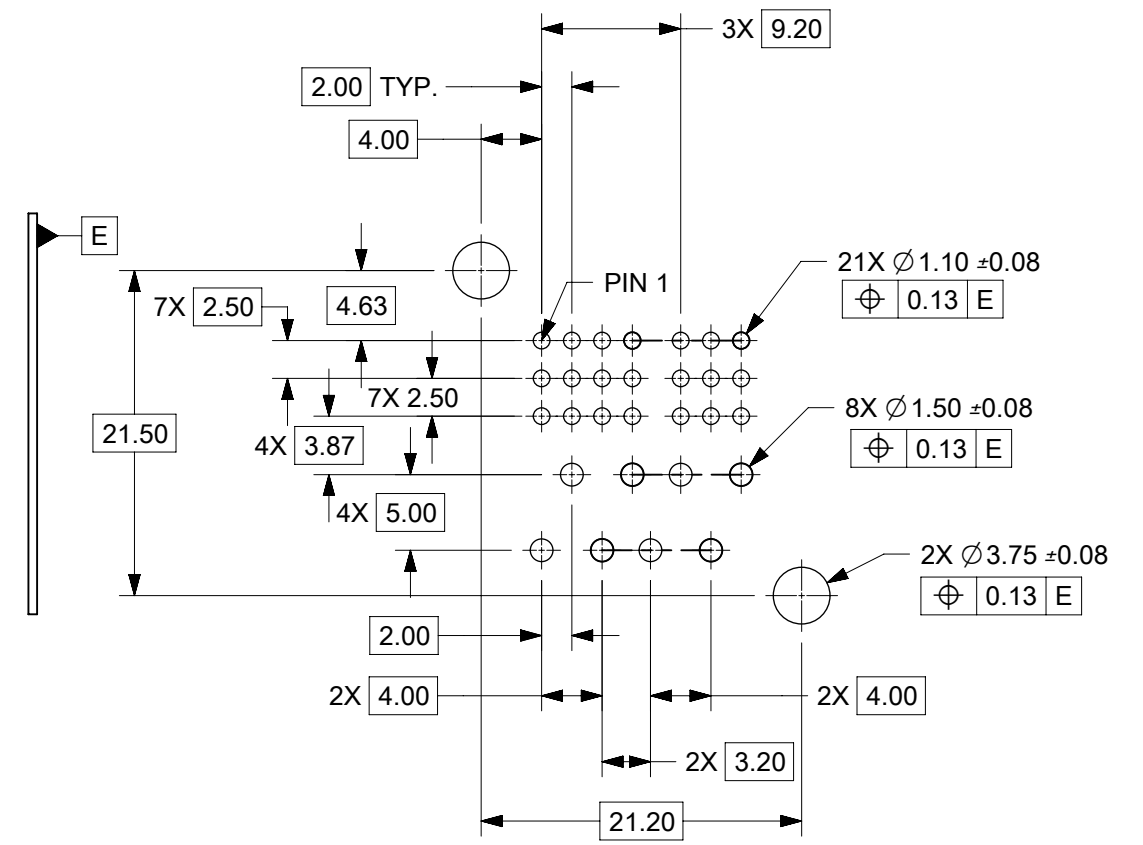
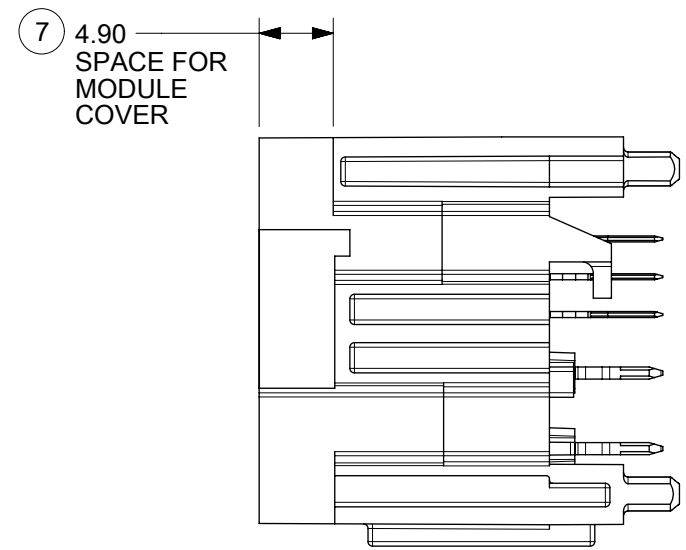
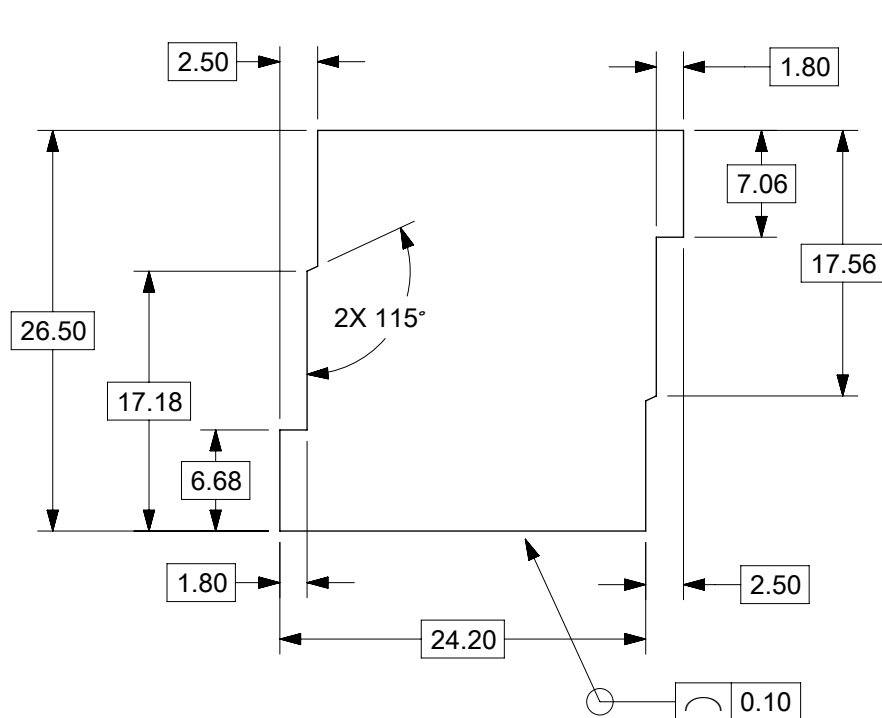


- NOTES: VALID UNLESS OTHERWISE SPECIFIED
- GENERAL:
    - APPLICATION SPECIFICATION 2005060000-AS
    - PRODUCT SPECIFICATION 2005060001-PS  
CLASSIFICATIONS T1V1S1 TO GMW 3191 2012  
DEGREE OF PROTECTION IP20 TO ISO 20653 WITH MOLEX MATING CONNECTOR
    - PACKAGING SPECIFICATION PER MOLEX DRAWING
  - DESIGN - MATERIALS:
    - HOUSING: SPS 30% GF
    - BLADE TERMINALS:
      - 0.5MM BLADES  
BASE MATERIAL: COPPER ALLOY  
CONDUCTIVITY ≥ 28% IACS @ 20°C  
UNDERPLATE: OVERALL NICKEL  
OVERPLATE: OVERALL TIN
      - 1.2MM BLADES  
BASE MATERIAL: COPPER ALLOY  
CONDUCTIVITY ≥ 28% IACS @ 20°C  
UNDERPLATE: OVERALL NICKEL  
OVERPLATE: OVERALL TIN
      - 2.8MM BLADES  
BASE MATERIAL: COPPER ALLOY  
CONDUCTIVITY ≥ 40% IACS @ 20°C  
UNDERPLATE: OVERALL NICKEL  
OVERPLATE: OVERALL TIN
  - DESIGN - GEOMETRY:
    - ALL GRAPHIC DATA IS BASIC (NO TOLERANCE) AND MUST BE TAKEN FROM THE DATA FILE AT ITS LATEST REVISION.
    - PRODUCT DESIGN MODEL NUMBER 2005010250
    - GEOMETRIC DIMENSIONS AND TOLERANCES PER ASME Y14.5-2009
    - EDGES AND UNDIMENSIONED DETAILS PER ISO13715
    - CORNERS SHOWN AS SHARP TO BE R 0.4 MAX.
    - LETTERING SHALL BE MAX POSSIBLE FOR READABILITY.  
THIS INCLUDES RECYCLING CODE, CAVITY ID, VENDOR IDENTIFICATION, AND CUSTOMER MATERIAL NUMBER.
    - FOR BAY/POCKET DEFINITION SEE MOLEX INTERFACE DRAWING SD-160027-002
    - MATING HARNESS CONNECTORS MOLEX PN:  
1600270001 (KEY 1)  
1600270002 (KEY 2)  
1600270003 (KEY 3)  
1600270004 (KEY 4)
  - DESIGN - MANUFACTURING:
    - VISUAL DEFECTS SHALL MEET COSMETIC STANDARD PS-45499-002 (CLASS B)
    - REFLOW SOLDERABILITY PER SMES-152

INSPECTION BALLOON NUMBER LOG
PER DRAWING REVISION: C1
LAST BALLOON NUMBER: 11B
ADDED BALLOON NUMBER: NONE
DELETED BALLOON NUMBER: NONE

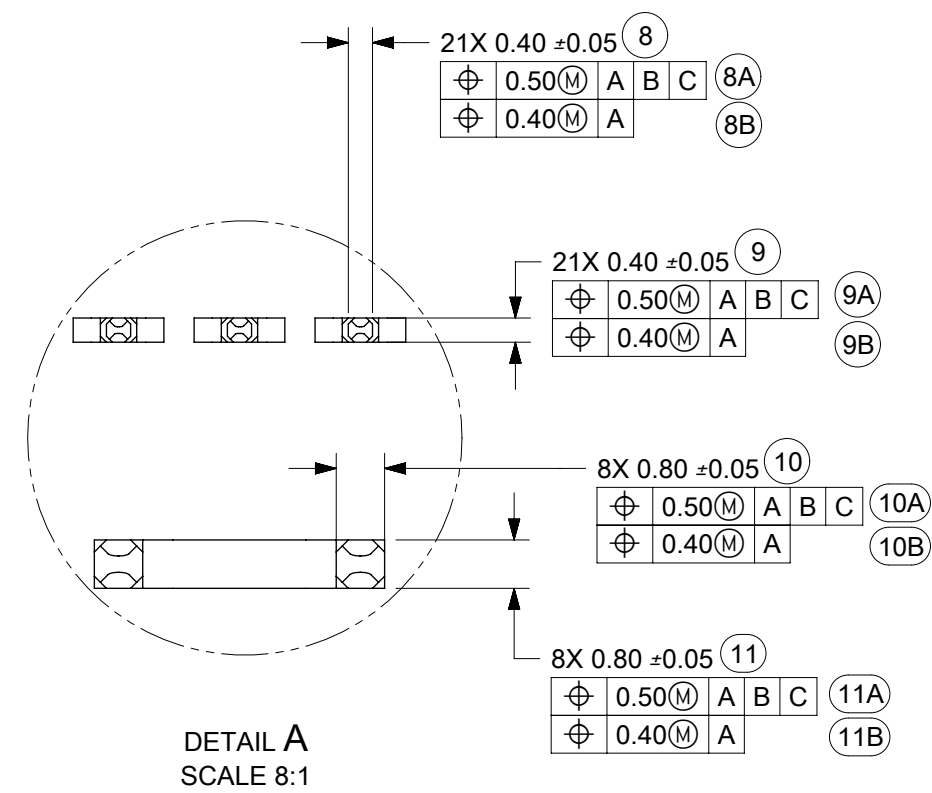
FUNCTIONAL SYMBOLS	THIS DRAWING CONTAINS INFORMATION THAT IS PROPRIETARY TO MOLEX ELECTRONIC TECHNOLOGIES, LLC AND SHOULD NOT BE USED WITHOUT WRITTEN PERMISSION	CURRENT REV DESC: SEE REVISION SHEET		<b>molex</b>			
$\nabla = 0$ $\nabla = 0$ $\nabla = 0$	DIMENSION UNITS: <b>mm</b> SCALE: <b>2:1</b> GENERAL TOLERANCES (UNLESS SPECIFIED) ANGULAR TOL ± °	EC NO: 639277 DRWN: YPENG47 CHK'D: JRUTTER APPR: JCONDON					STAK50H MOD HDR 25 VERT SOLDER
DIVISIONAL SYMBOLS	4 PLACES ± 0.0 3 PLACES ± 0.0 2 PLACES ± 0.13 1 PLACE ± 0.25 0 PLACES ± 0.0	2020/02/17 2020/06/22 2020/06/23		PRODUCT CUSTOMER DRAWING			
	DRAFT WHERE APPLICABLE MUST REMAIN WITHIN DIMENSIONS THIRD ANGLE PROJECTION DRAWING SERIES: <b>B-SIZE 200501</b>	INITIAL REVISION: DRWN: JRUTTER APPR: RBAUMAN 2015/07/22 2016/08/22		DOCUMENT NUMBER	DOC TYPE	DOC PART	REVISION
				<b>2005011250SD</b>	PSD	000	<b>C1</b>
				MATERIAL NUMBER	CUSTOMER	SHEET NUMBER	
						1 OF 2	

RECOMMENDED MODULE OPENING



PCB LAYOUT FOR REFERENCE

FOR SINGLE-BAY HEADER ONLY  
FOR MULTIPLE-BAY STACKED HEADER SEE DRAWING 2005050000



DETAIL A  
SCALE 8:1

C1	ADDED PCB HOLE DIMENSIONAL & POSITIONAL TOLERANCE 10-JUNE-2020 YPENG47 ECN:639277
REVISION	DESCRIPTION

FUNCTIONAL SYMBOLS	THIS DRAWING CONTAINS INFORMATION THAT IS PROPRIETARY TO MOLEX ELECTRONIC TECHNOLOGIES, LLC AND SHOULD NOT BE USED WITHOUT WRITTEN PERMISSION		CURRENT REV DESC: SEE REVISION SHEET			
	$\sqrt{A} = 0$ $\sqrt{E} = 0$ $\sqrt{E} = 0$	DIMENSION UNITS: <b>mm</b> SCALE: <b>1:1</b>	GENERAL TOLERANCES (UNLESS SPECIFIED) ANGULAR TOL ± ° 4 PLACES ± 0.0 3 PLACES ± 0.0 2 PLACES ± 0.13 1 PLACE ± 0.25 0 PLACES ± 0.0			EC NO: 639277 DRWN: YPENG47 CHK'D: JRUTTER APPR: JCONDON
DIVISIONAL SYMBOLS	DRAFT WHERE APPLICABLE MUST REMAIN WITHIN DIMENSIONS		THIRD ANGLE PROJECTION	DRAWING: B-SIZE	SERIES: 200501	PRODUCT CUSTOMER DRAWING DOCUMENT NUMBER: 2005011250SD DOC TYPE: PSD DOC PART: 000 REVISION: C1
DOCUMENT STATUS: P1   RELEASE DATE: 2020/06/23 15:14:19			MATERIAL NUMBER: 200501   CUSTOMER:		SHEET NUMBER: 2 OF 2	