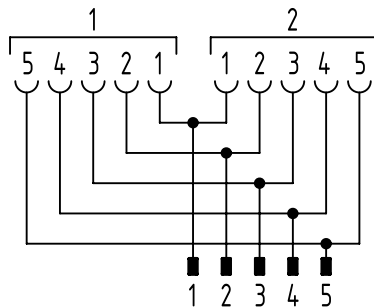



pin assignment



	All rights reserved Department EC PD - DE	All Dimensions in mm Original Size DIN A4		Scale 2:1	Free size tol.	Ref.
		Created by HASSE	Inspected by EISFELD	Standardisation HOFFMANN	Date 2016-07-21	State Final Release
HARTING Electronics GmbH D-32339 Espelkamp		Title M12-ADPT-M12/M12-5/5P-ACOD-M/F/F-STR			Doc-Key / ECM-Nr. 100679663/UGD/000/A 500000106353	
		Type TB	Number 21033116501		Rev. A	Page 1/1