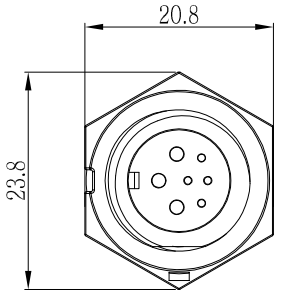
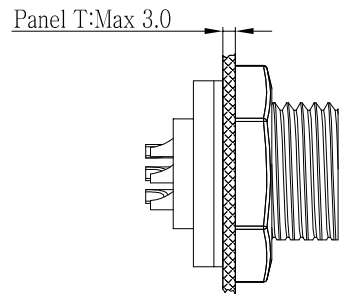
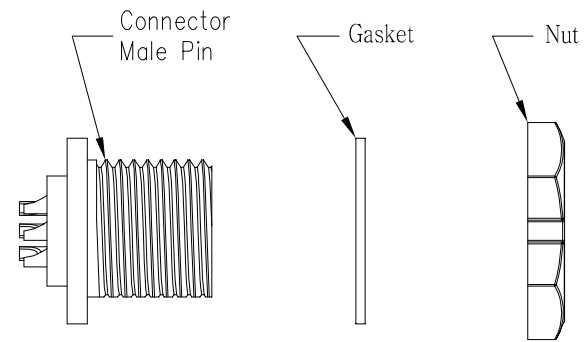
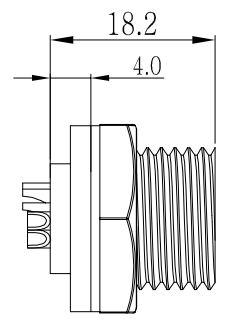
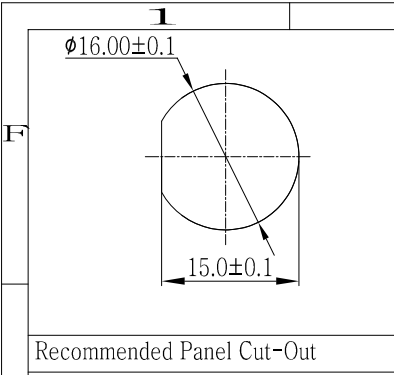


THIS INFORMATION IS CONFIDENTIAL AND IS DISCLOSED TO YOU ON CONDITION THAT NO FURTHER DISCLOSURE IS MADE BY YOU TO OTHER THAN CHOGORI PERSONNEL WITHOUT AUTHORIZATION FROM CHOGORI CORP.

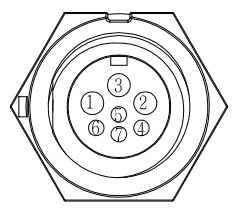
REV.	ECN NO.	DESCRIPTION	SIGN	DATE
C1	N/A	INITIAL DRAWING	Yumer	2020/04/24



- Specification:
- 1.Operation Temperature:-45°C~105°C.
 - 2.Insulation Resistance:100MΩ at DC500V.
 - 3.Contact Resistance:<10mΩ.
 - 4.Withstand Voltage: 1300V AC
 - 5.Operating Current:10+ 2A
 - 6.Operating Voltage:AC 60V
 - 7.Waterproof Rate:IP67 (Mated)
 - 8.Connector:Nylon, Black
 - 9.Male Pin:Copper Alloy, Gold Plated
 - 10.Gasket:Silicon Gray
 - 11.Panel Nut:Nylon, Black
 - 12.Torque Rate:0.8~1.0N • m
 - 13.RoHS Compliant.
 - 14.Mating Cap P/N:806-00030-00

22XXX515-01

Pin Number



3+ 4 Pin

P/N: 22304515-01

Pin Assignments
Front View

UNIT:mm	
TOLERANCE	
.X	±0.25
.XX	±0.15
.XXX	±0.05
ANGLES	±1°

DESCRIPTION		Standard Series Screw Front Mount With Male Pin	
SCALE:	1:1	SHEET	1 OF 1
REV.	C1	SIZE	A4
		* :Inspection Item	

CHOGORI[®]

PART NO	22XXX515-01	DRAWN BY	Yumer	DATE	2020/04/24
DWG NO		CHECKED BY	Ivan	DATE	2020/04/24
CUSTOMER		APPROVED BY	Panson	DATE	2020/04/24